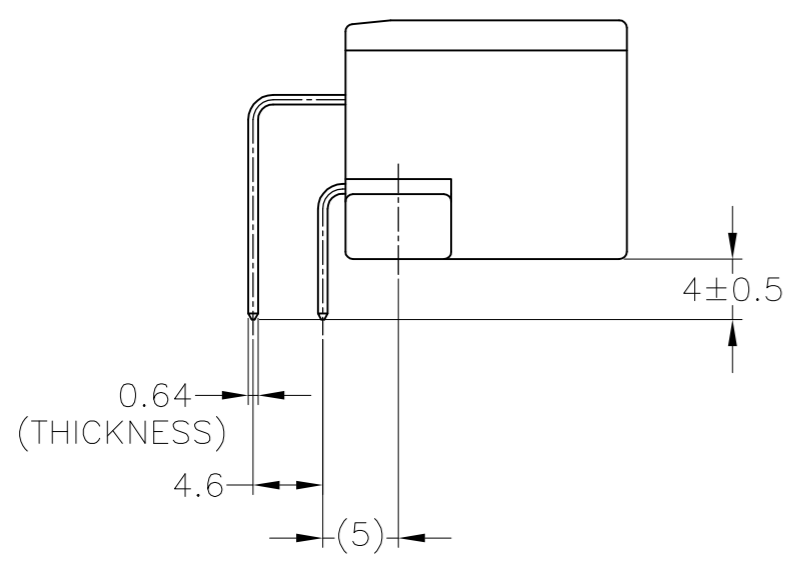
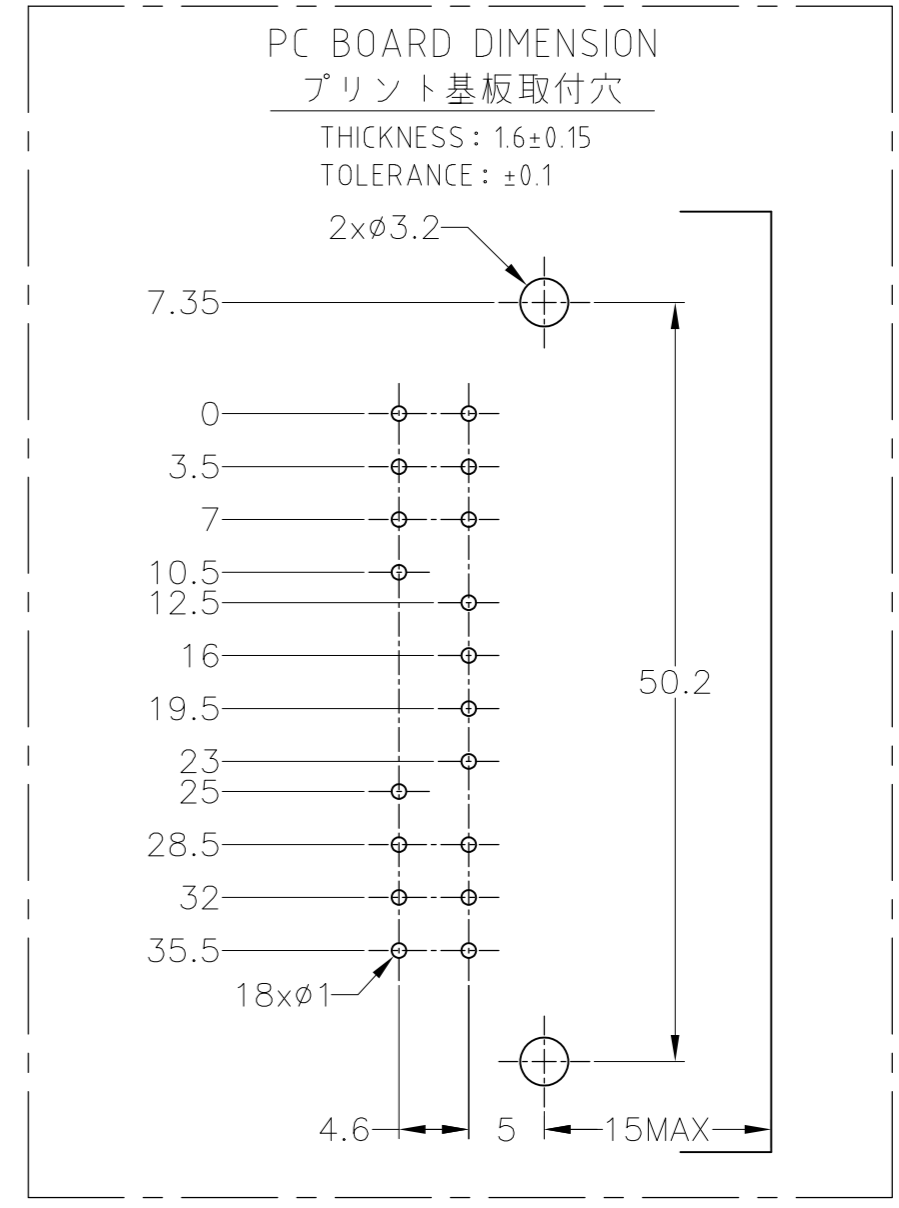
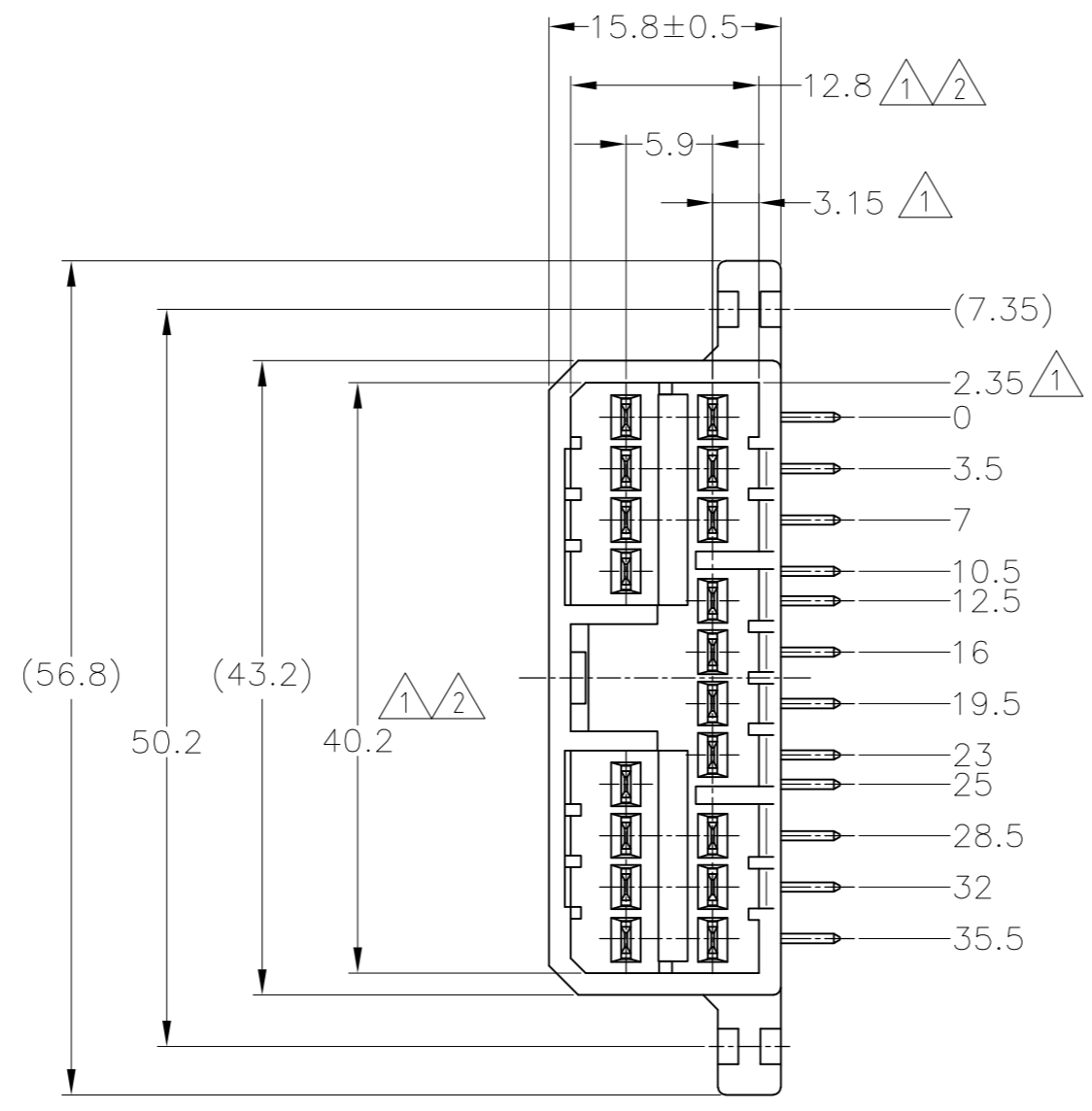
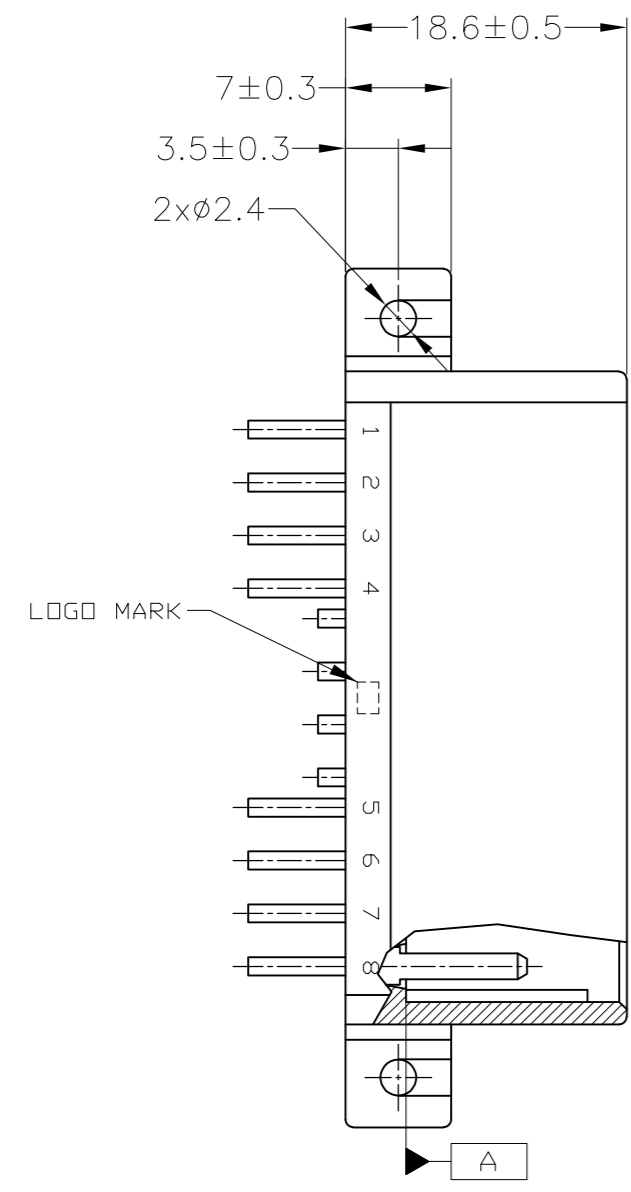
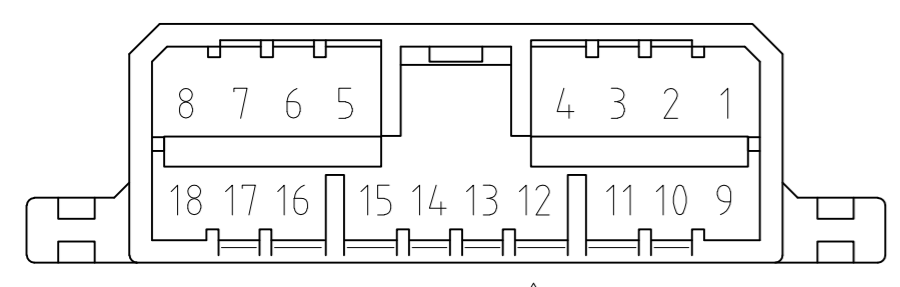


THIS DRAWING IS UNPUBLISHED. RELEASED FOR PUBLICATION
 © COPYRIGHT 2016 By Tyco Electronics Japan G.K. ALL RIGHTS RESERVED.

REVISIONS					
P	LTR	DESCRIPTION	DATE	DWN	APVD
V4	OBSOLETE 2--1	ECR-16-003088	16AUG16	KF	HY



- 1. TO BE MEASURED BETWEEN [A] AND 2.
 - 2. TO BE MATE WITH PLUG HSG SMOOTHLY.
 - 3. TO BE USE M3 TAPPING SCREW JIS B1115 OR 1122 (TYPE2 OR 4) BEFORE SOLDER (TIGHTENING TORQUE: 0.4N-m (4Kg-cm) MAX.)
 - 4. CIRCUIT NUMBER; SEE FIG.1.
- 1. [A] 面より2mmの範囲で測定。
 - 2. 相手ハウジングと所定の機能を満足して嵌合できること。
 - 3. プリント基板への取付は、JIS B1115又は1122, M3×6ナベ (2種又は4種)のタッピングネジで締付けた後ハンダ付する。(締付トルク: 0.4N-m (4Kg-cm)以下)
 - 4. 回路番号: FIG.1参照のこと。



HB	SELECTIVE-TIN (MATTE)	SELECTIVE GOLD x 2	5,15 (2極)	1~4,6~14,16~18 (16極)	NATURAL 自然色	4-5173862-1	
HB	SELECTIVE-TIN (MATTE)	PRE-TIN x 16	11,12 (2極)	1~10,13~18 (16極)	NATURAL 自然色	6-5173862-1	
HB	SELECTIVE-TIN (MATTE)	SELECTIVE GOLD x 4	1,3,9,13 (4極)	2,4~8,10~12,14~18 (14極)	GREEN 緑色	5-5173862-4	
HB	SELECTIVE-TIN (MATTE)	PRE-TIN x 14	1,3,9,13 (4極)	2,4~8,10~12,14~18 (14極)	NATURAL 自然色	5-173862-1	
OBSOLETE	HB	SELECTIVE-TIN (MATTE)	SELECTIVE GOLD x 18	1~18 (全極)	NATURAL 自然色	2-5173862-1	
OBSOLETE	HB	SELECTIVE-TIN	PRE-TIN x 18	1~18 (全極)	GREEN 緑色	8-173862-1	
OBSOLETE	V-2	PRE-TIN x 18	-	1~18 (全極)	NATURAL 自然色	9-173862-1	
HB	SELECTIVE-TIN	PRE-TIN x 18	-	1~18 (全極)	GRAY 灰色	7-173862-6	
SEE CUSTOMER DRAWING 7-173862-1							
HB	TIN-LEAD	SELECTIVE GOLD x 2	11,12 (2極)	1~10,13~18 (16極)	NATURAL 自然色	6-173862-1	
HB	TIN-LEAD	PRE-TIN x 16	1,3,9,13 (4極)	2,4~8,10~12,14~18 (14極)	GREEN 緑色	5-173862-4	
HB	TIN-LEAD	SELECTIVE GOLD x 4	1,3,9,13 (4極)	2,4~8,10~12,14~18 (14極)	NATURAL 自然色	5-173862-1	
HB	TIN-LEAD	PRE-TIN x 14	1,3,9,13 (4極)	2,4~8,10~12,14~18 (14極)	NATURAL 自然色	5-173862-1	
HB	TIN-LEAD	SELECTIVE GOLD x 2	5,15 (2極)	1~4,6~14,16~18 (16極)	NATURAL 自然色	4-173862-1	
HB	TIN-LEAD	PRE-TIN x 16	10~13,16,17 (6極)	1~9,14,15,18 (12極)	NATURAL 自然色	3-173862-1	
OBSOLETE	HB	TIN-LEAD	SELECTIVE GOLD x 18	1~18 (全極)	GREEN 緑色	2-173862-4	
OBSOLETE	HB	TIN-LEAD	SELECTIVE GOLD x 18	1~18 (全極)	NATURAL 自然色	2-173862-1	
HB	TIN-LEAD	SELECTIVE GOLD x 2	8,18 (2極)	1~7,9~17 (16極)	NATURAL 自然色	1-173862-1	
HB	PRE-TIN x 18	-	-	1~18 (全極)	GRAY 灰色	173862-6	
OBSOLETE	HB	PRE-TIN x 18	-	1~18 (全極)	BLUE 青色	173862-5	
HB	PRE-TIN x 18	-	-	1~18 (全極)	GREEN 緑色	173862-4	
HB	SELECTIVE-TIN (MATTE)	SELECTIVE-TIN (BRIGHT)	-	1~18 (全極)	NATURAL 自然色	173862-3	
HB	PRE-TIN x 18	-	-	1~18 (全極)	BLACK 黒色	173862-2	
HB	PRE-TIN x 18	-	-	1~18 (全極)	NATURAL 自然色	173862-1	
USED MATERIAL		SOLDERING SIDE 半田付け面	CONTACT SIDE 接触部側	GOLD PLATED CIRCUIT NO. 金めっき回路番号	PRE-TIN CIRCUIT NO. 鉛めっき回路番号	COLOR 色	PART NUMBER 製品型番
FLAMMABILITY		CONTACT FINISH コンタクト仕上					

TOLERANCE UNLESS OTHERWISE SPECIFIED: 一般公差	
0 < x ≤ 10	±0.2
10 < x ≤ 30	±0.25
30 < x ≤ 100	±0.3
ANGLE	±3°

THIS DRAWING IS A CONTROLLED DOCUMENT.

DIMENSIONS: mm

TOLERANCES UNLESS OTHERWISE SPECIFIED:

0 PLC	±
1 PLC	-
2 PLC	-
3 PLC	-
4 PLC	-
ANGLES	±

MATERIAL: HSG; PBT CONTACT; BRASS

FINISH: SEE TABLE

THIS DRAWING IS A CONTROLLED DOCUMENT. DWN: T.SHINOHARA 15AUG05, CHK: K.BETSUI 15AUG05, APVD: K.BETSUI 15AUG05

NAME: 108-5216

APPLICATION SPEC: -

WEIGHT: 9.6 g

CUSTOMER DRAWING

TE Connectivity

070 SERIES MULTI-LOCK I/O CONNECTOR 18POSITION CAP HOUSING ASSEMBLY

SIZE: A2, CAGE CODE: 00779, DRAWING NO: 173862, RESTRICTED TO: -

SCALE: 2:1, SHEET: 1 of 1, REV: V4

X-ON Electronics

Largest Supplier of Electrical and Electronic Components

Click to view similar products for [Automotive Connectors](#) category:

Click to view products by [TE Connectivity](#) manufacturer:

Other Similar products are found below :

[003-018-000](#) [60403001](#) [60993906-B](#) [M902-2131](#) [M902-2161](#) [72.330.1035.1](#) [73.353.4028.0](#) [F119300-B](#) [F166900](#) [F258300-B](#) [F358300-B](#)
[F407400](#) [F444110](#) [F487000](#) [F509500B-B](#) [827153-1](#) [8N1515-32-24P](#) [9-1326729-8](#) [925474-1](#) [928905-1](#) [964562-4](#) [968782-1](#) [GT17SA-8DS-](#)
[HU](#) [98891-1012](#) [98947-1016](#) [12004147](#) [12004475-L](#) [12010290](#) [12010309-B](#) [12015454](#) [12020219-B](#) [12020308](#) [12041318-B](#) [12052225-L](#)
[12052466](#) [12059125](#) [12064869](#) [12004327-B](#) [12010503-B](#) [12015308](#) [12015384](#) [12015909](#) [1-21030-1](#) [12041254](#) [12041318](#) [12047946-B](#)
[12047957](#) [12047957-L](#) [12059473](#) [12066261](#)