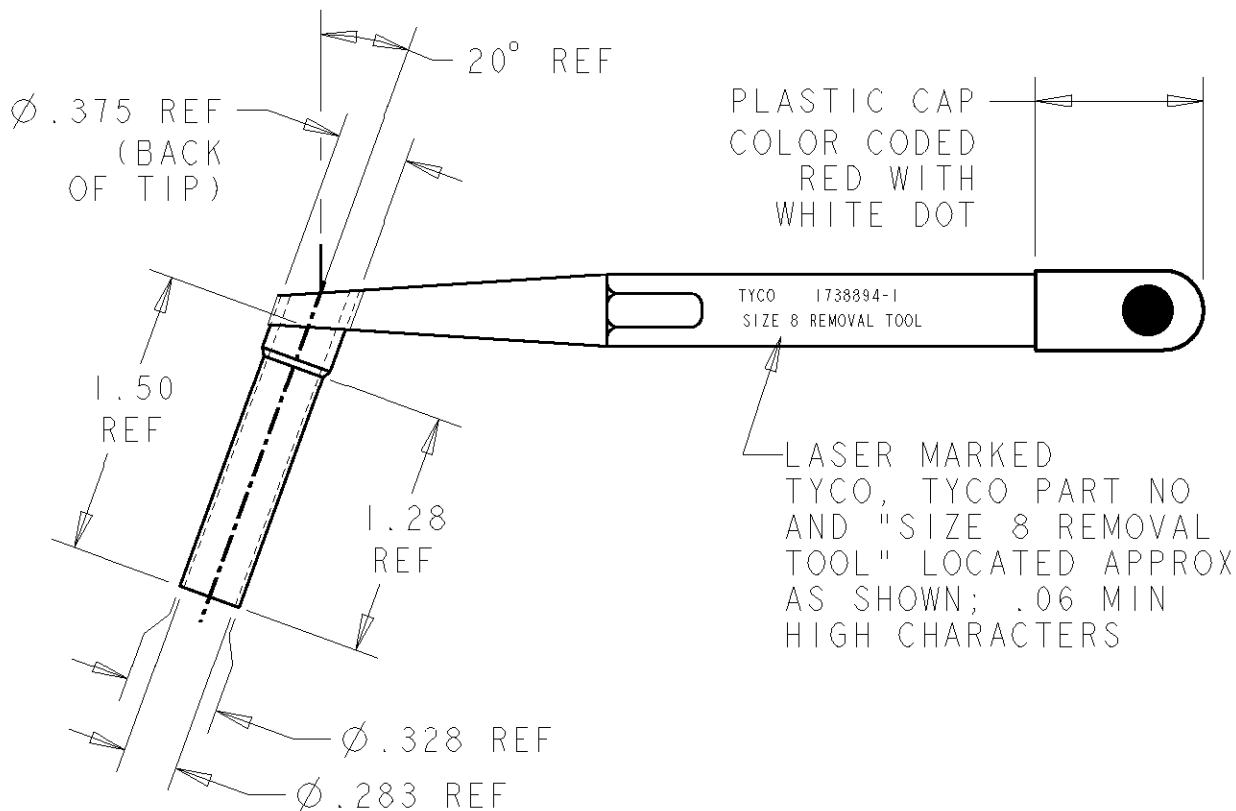


LOC	DIST	REVISIONS			
P	LTR	DESCRIPTION	DATE	DWN	APVD
DF	A5	0	RELEASED PER ECN 0H14-0835-04	07DEC2004	BY RW



1. MATERIAL: STAINLESS STEEL.
2. FINISH: PASSIVATED.
3. TIPS TO HAVE $.010 \pm .005$ GAP BETWEEN HALVES WHEN APPROPRIATE I.D. PIN GAGE IS INSTALLED.

1738894-1

PART NUMBER

THIS DRAWING IS UNPUBLISHED. RELEASED FOR PUBLICATION

COPYRIGHT 20 BY TYCO ELECTRONICS CORPORATION. ALL RIGHTS RESERVED.

DIMENSIONS: IN	DWN	Brent D. Yohn	07DEC2004	MATERIAL	-	FINISH	-
	CHK	R.P. WALTER	07DEC2004	Tyco Electronics Harrisburg, PA 17105-3608			
TOLERANCES UNLESS OTHERWISE SPECIFIED:	APVD	R.P. WALTER	07DEC2004				
0 PLC ±-	PRODUCT SPEC	-					
1 PLC ±-	APPLICATION SPEC	-					
2 PLC ±-	WEIGHT	-					
3 PLC ±-	NAME			TOOL, REMOVAL, CONTACT, SIZE 8			
4 PLC ±-	SIZE			CAGE CODE	DRAWING NO	RESTRICTED TO	
ANGLES ±-	CUSTOMER DRAWING			A4	00779	©=1738894	-
			SCALE		NTS	SHEET	1 OF 1
AMP 1469-35 REV 31MAR2000							REV 0

X-ON Electronics

Largest Supplier of Electrical and Electronic Components

Click to view similar products for [Extraction, Removal & Insertion Tools](#) category:

Click to view products by [TE Connectivity](#) manufacturer:

Other Similar products are found below :

[M8196914-08](#) [768211-2](#) [809-131](#) [844751-2](#) [8-59558-2](#) [91018-1](#) [12014013](#) [12093647](#) [1-21048-0](#) [R282867020](#) [12093078](#) [12180559](#) [1-21048-6](#) [12121897](#) [DCF.91.405.5LT](#) [1322](#) [15314260](#) [15350698](#) [15350707](#) [15430130](#) [1579018-4](#) [1643916-1](#) [1-679532-0](#) [1976593-3](#)
[OUTEXT-0321](#) [2-1579008-3](#) [2-1579008-4](#) [229694-7](#) [231106-1](#) [241469](#) [91040-3](#) [91040-7](#) [965004-000](#) [965069-000](#) [1738219-1](#) [ET-JL05-16](#)
[FG 0300 146 3000](#) [FIT-6](#) [210S048](#) [2-1579007-9](#) [231879-1](#) [312138-3](#) [RJ11FODE](#) [356-162](#) [M8196914-10](#) [4-1579018-0](#) [430395-001](#) [483249-1](#) [5-1579007-2](#) [5-1579007-9](#)