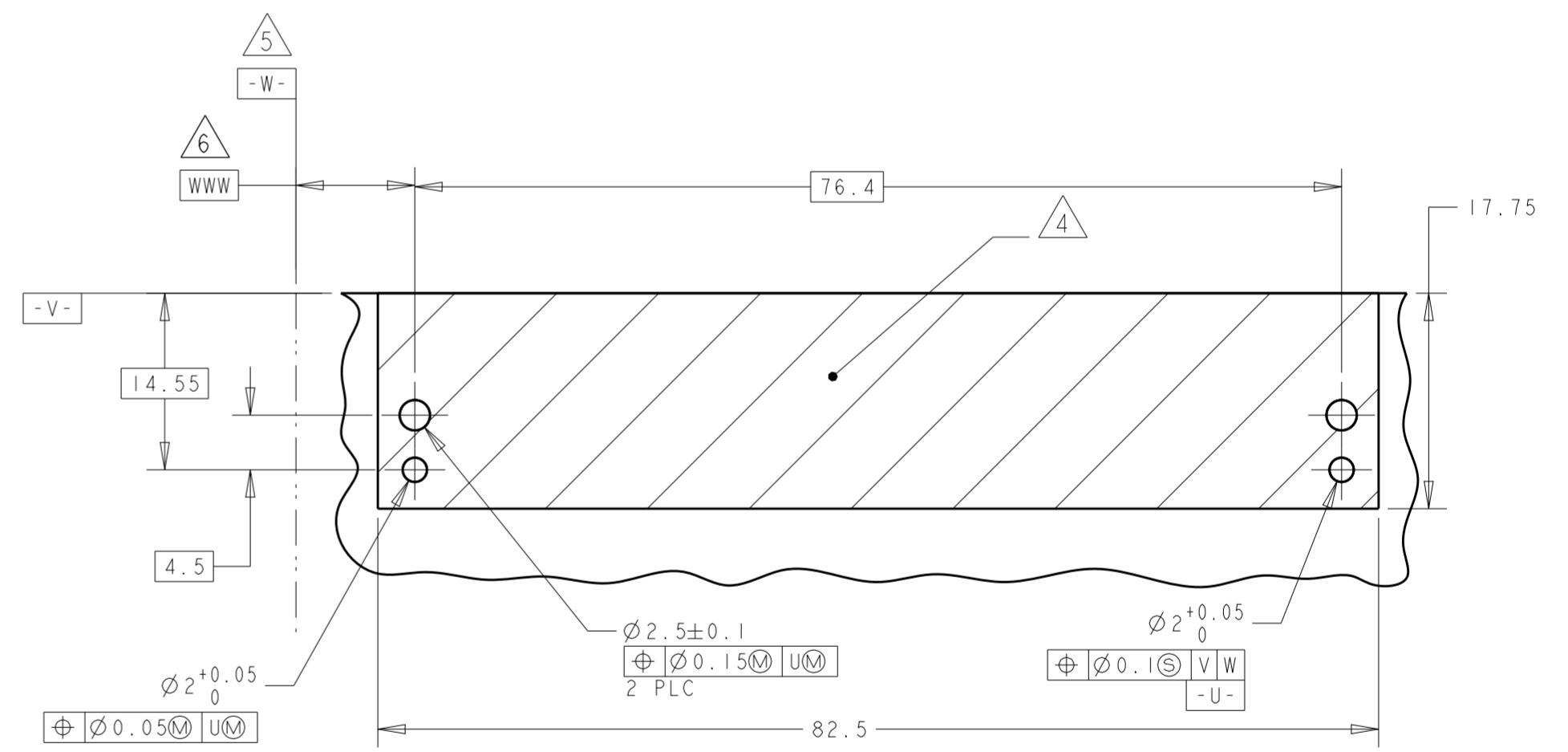
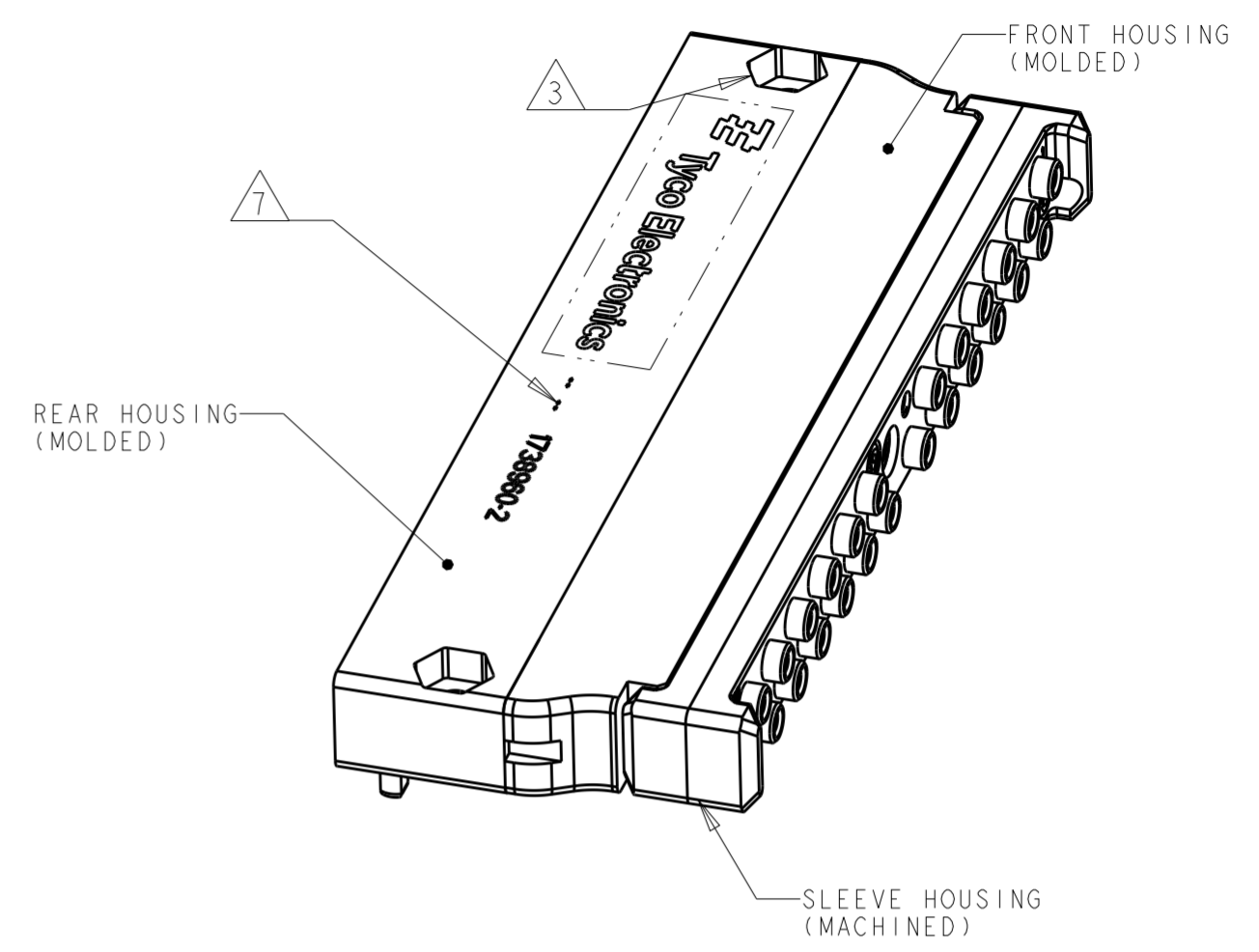
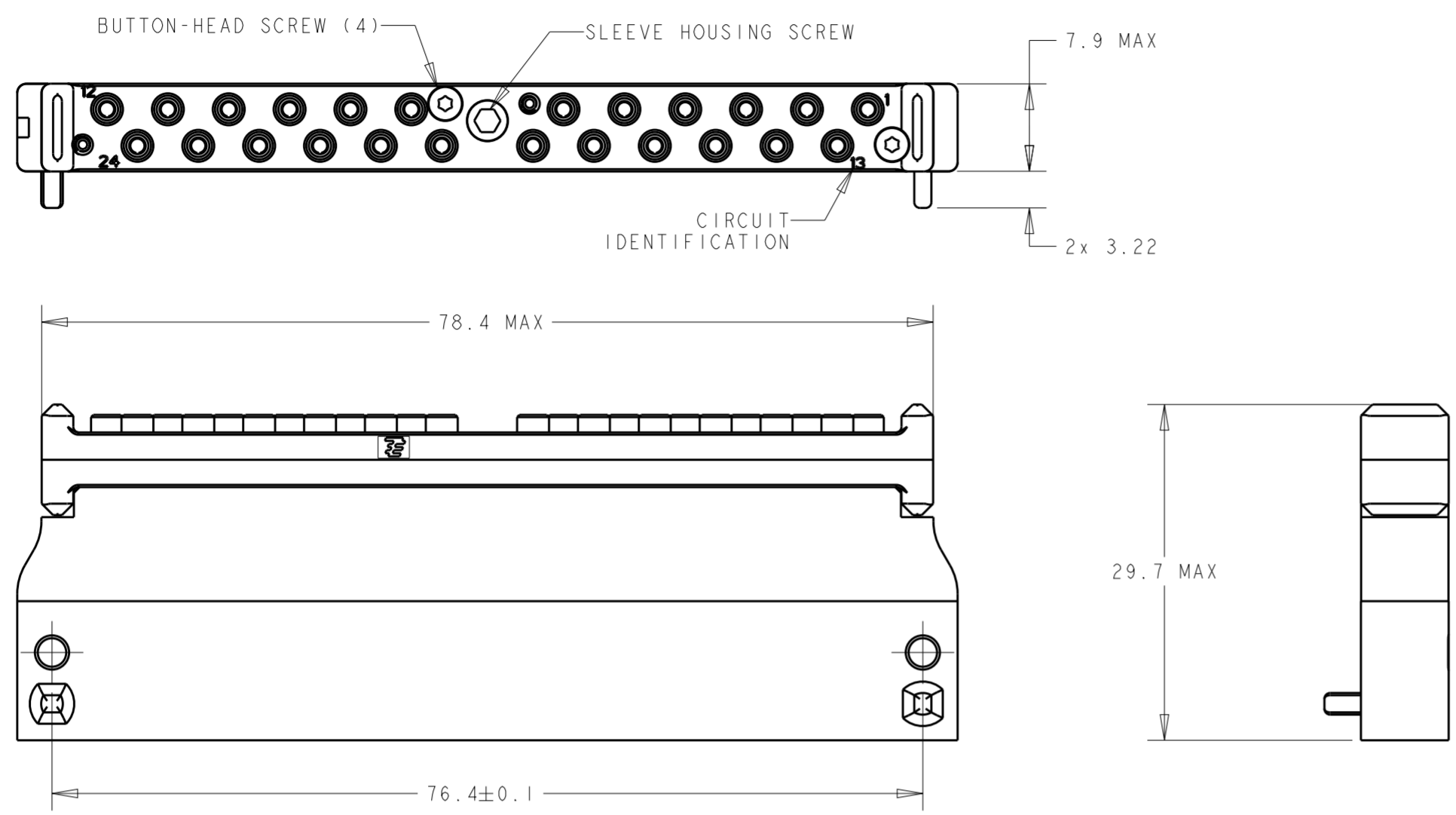


THIS DRAWING IS UNPUBLISHED. RELEASED FOR PUBLICATION 20
 © COPYRIGHT 20 BY - ALL RIGHTS RESERVED.

REVISIONS				
P	LTR	DESCRIPTION	DATE	APVD
C		REV PER ECO 17-002345	2-22-17	CT KH



RECOMMENDED PCB LAY-OUT 8 9

- 1 SLEEVE HOUSING: ALUMINUM ALLOY 6061, FRONT & REAR HOUSING: GLASS-FILLED LCP THERMOPLASTIC, UL 94 V-0 RATED, COLOR: NATURAL (BEIGE). TERMINI RETENTION CLIP: STAINLESS STEEL PER AISI 301. SLEEVE HOUSING SCREW & HOUSING NUT: STAINLESS STEEL PER AISI 303. REAR SCREW AND BUTTON-HEAD SCREW: STAINLESS STEEL. SLEEVES: ZIRCONIA
- 2 SLEEVE HOUSING: ANODIZED PER MIL-A-8625, COLOR: GOLD.
- 3 POCKETS FOR 4.76 [3/16 in] HEX NUT
- 4 AREA REQUIRED FOR CONNECTOR PLACEMENT.
- 5 DATUM ESTABLISHED BY CUSTOMER.
- 6 BASIC DIMENSION ESTABLISHED BY CUSTOMER.
- 7 DATE CODE: YEAR & WEEK (YY WW)
- 8 MISALIGNMENT ALLOWED BETWEEN THE MODULE CONNECTOR & THE CUTOUT FOR THE BACKPLANE CONNECTOR, TYCO PART NUMBER 1738965-1: 1mm MAX
- 9 ACCOMMODATES PC BOARD THICKNESS RANGE 1.47-3.05 mm.
- 10. RECOMMENDED TERMINI APPLICATION TOOLING:
 INSTALLING TOOL: DANIELS MFG. CORP. P/N DAK83-16
 REMOVAL TOOL: DANIELS MFG. CORP. P/N DRK83-16
- 11. THE SLEEVE HOLDER ASSEMBLY, 1954573-1, IS AVAILABLE SEPARATELY.
- 12. LuxCis® IS A REGISTERED TRADEMARK OF RADIALL SA.

1738960-2
SUPERCEDED BY: 1738960-2
1738960-1
PART NUMBER

THIS DRAWING IS A CONTROLLED DOCUMENT.		DWN BH 09MAY2004	STE TE Connectivity	
DIMENSIONS: mm		CHK JPM 09MAY2004		
TOLERANCES UNLESS OTHERWISE SPECIFIED:		APVD JPM 09MAY2004	NAME	
0 PLC ±0.1		PRODUCT SPEC	CONNECTOR, MODULE, 24 POSITION, FOR LuxCis OPTICAL TERMINI	
1 PLC ±0.1		108-2247	-	
2 PLC ±0.1		APPLICATION SPEC	-	
3 PLC ±		114-13192	SIZE	CAGE CODE
4 PLC ±		WEIGHT	A2	-
ANGLES ±		CUSTOMER DRAWING	DRAWING NO	RESTRICTED TO
FINISH			G-1738960	-
-		SCALE	2:1	SHEET
-				OF
-				REV
-				C

X-ON Electronics

Largest Supplier of Electrical and Electronic Components

Click to view similar products for [Fiber Optic Connectors](#) category:

Click to view products by [TE Connectivity](#) manufacturer:

Other Similar products are found below :

[0004700001](#) [6100-R](#) [6313](#) [F709034706](#) [F709722200](#) [F718183204](#) [F727403500](#) [F727752800](#) [FCXO-12-3BY](#) [FO-SCREW\(M2X6\)](#) [9440F20-27S-190](#) [944-120-6001](#) [944-125-6003](#) [9441F10SL-3S](#) [9446F10SL-4S](#) [953-101-5310-P](#) [954-101-57202B](#) [A0270169](#) [12-9122](#) [12-5702](#) [143025NC](#) [AX101713](#) [AX102420](#) [AX103923](#) [AX104141](#) [AX104193](#) [AX104228](#) [AX104230](#) [AX104562](#) [AX105203-B25](#) [AX105205-S1](#) [EHSC2M](#) [17-300800](#) [181-011-126](#) [BT34IW](#) [HRFCP-HSCJ-1\(61\)](#) [HRFC-R2\(40\)](#) [NKSOPBUY](#) [20500002116](#) [2064996-1](#) [20800001065](#) [2170](#) [9132](#) [2612](#) [2620](#) [9291](#) [9440F18-19S](#) [9440F20-14P](#) [9440F20-14PW](#) [9440W18-1S](#)