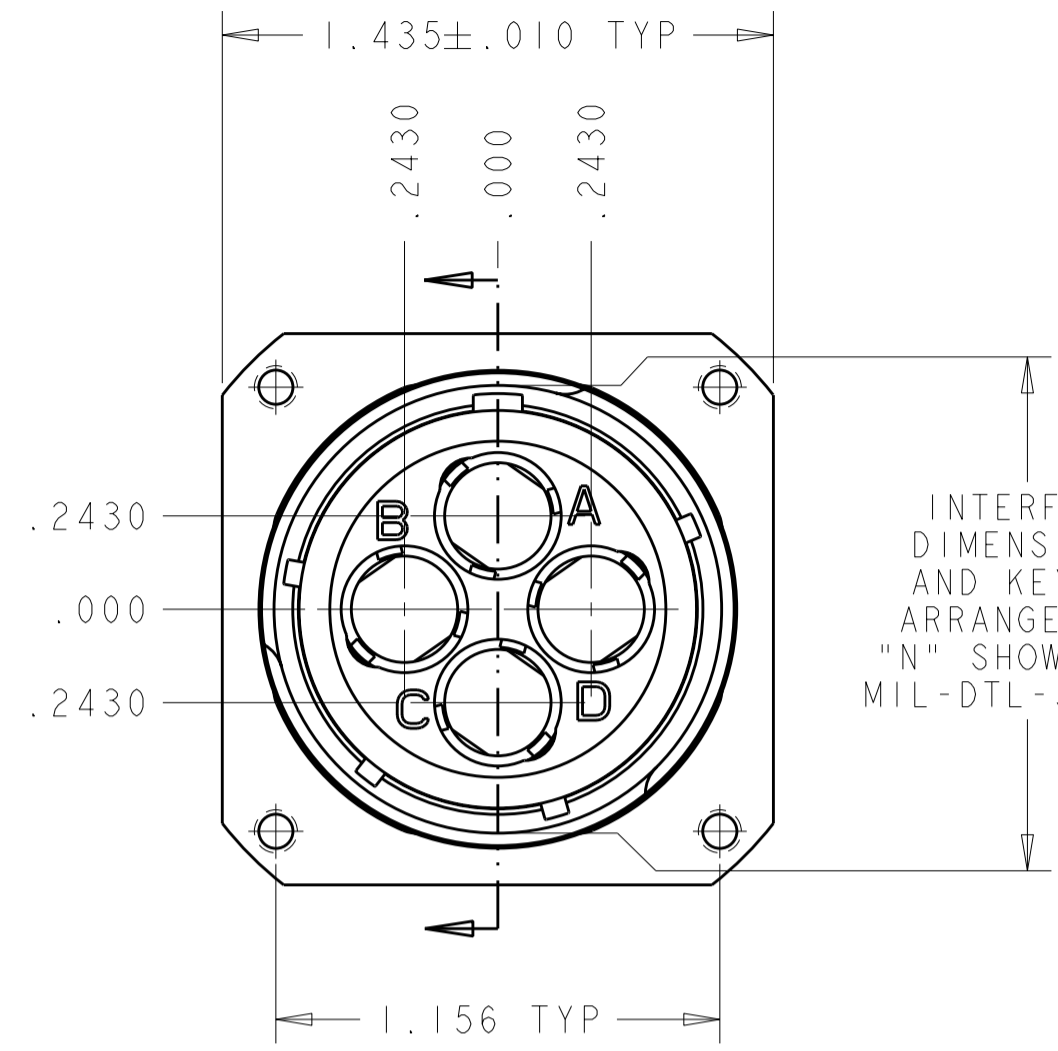


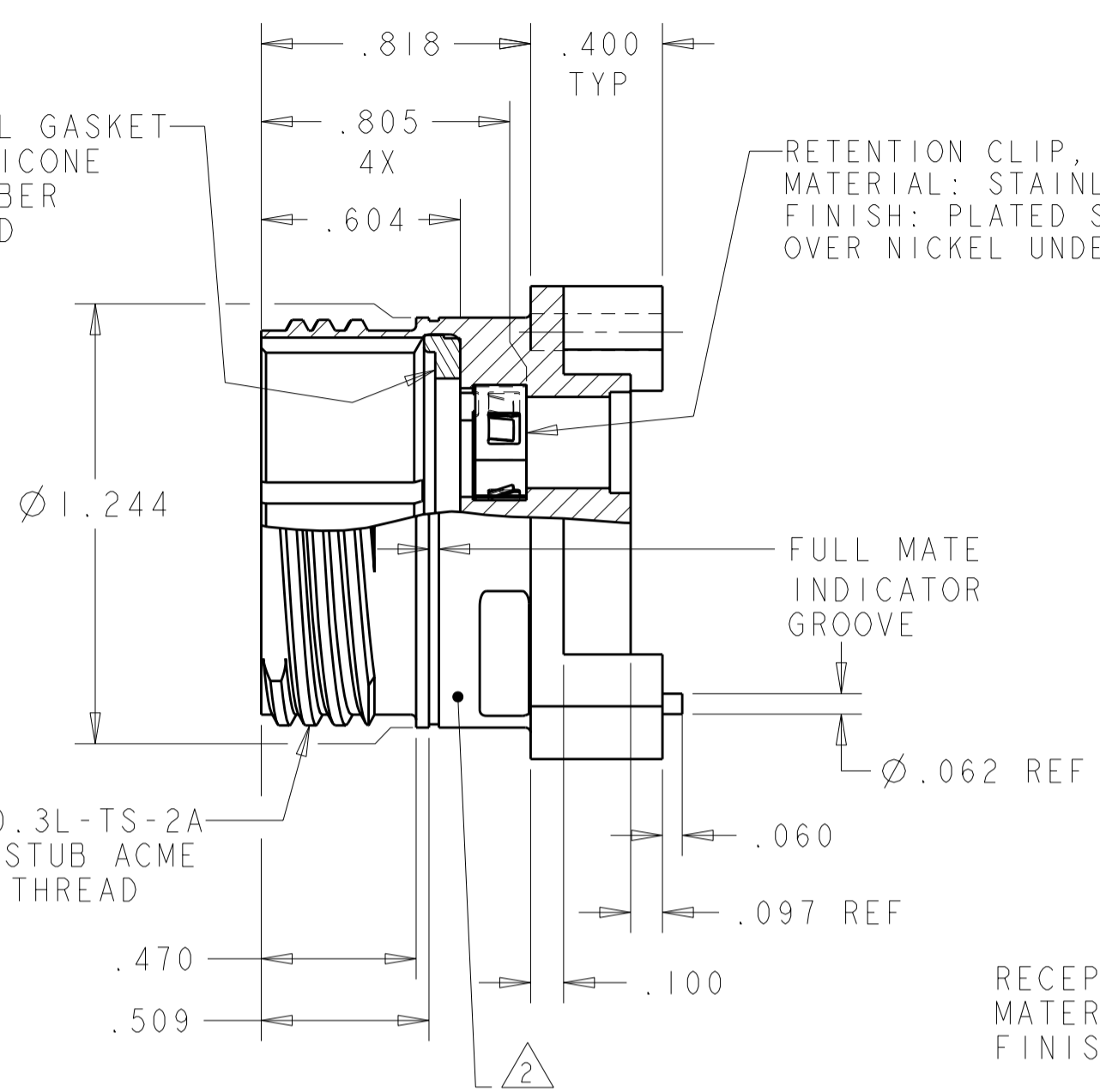
THIS DRAWING IS UNPUBLISHED. RELEASED FOR PUBLICATION 20
 © COPYRIGHT 20 BY TYCO ELECTRONICS CORPORATION. ALL RIGHTS RESERVED.

LOC	DIST	REVISIONS					
DF	A5	P	LTR	DESCRIPTION	DATE	DWN	APVD
		C		REVISED PER ECO-08-029679	23DEC2008	SK	DM



INTERFACE DIMENSIONS AND KEYWAY ARRANGEMENT "N" SHOWN PER MIL-DTL-38999K

PERIPHERAL GASKET
 MATL: SILICONE RUBBER
 COLOR: RED

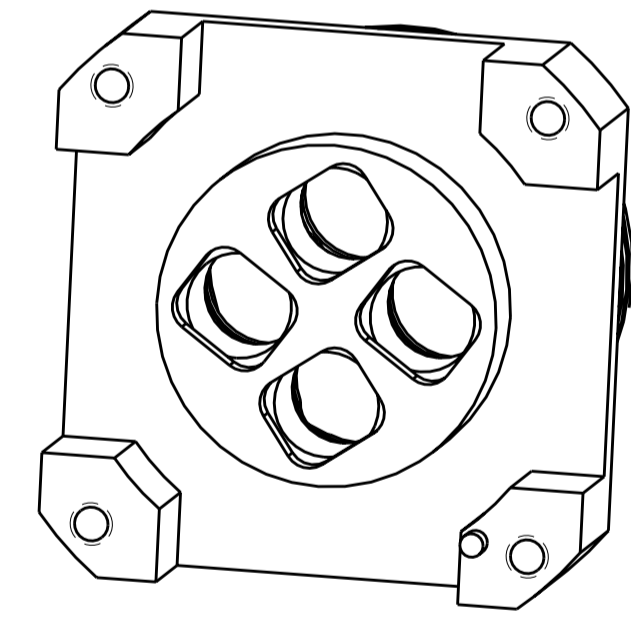
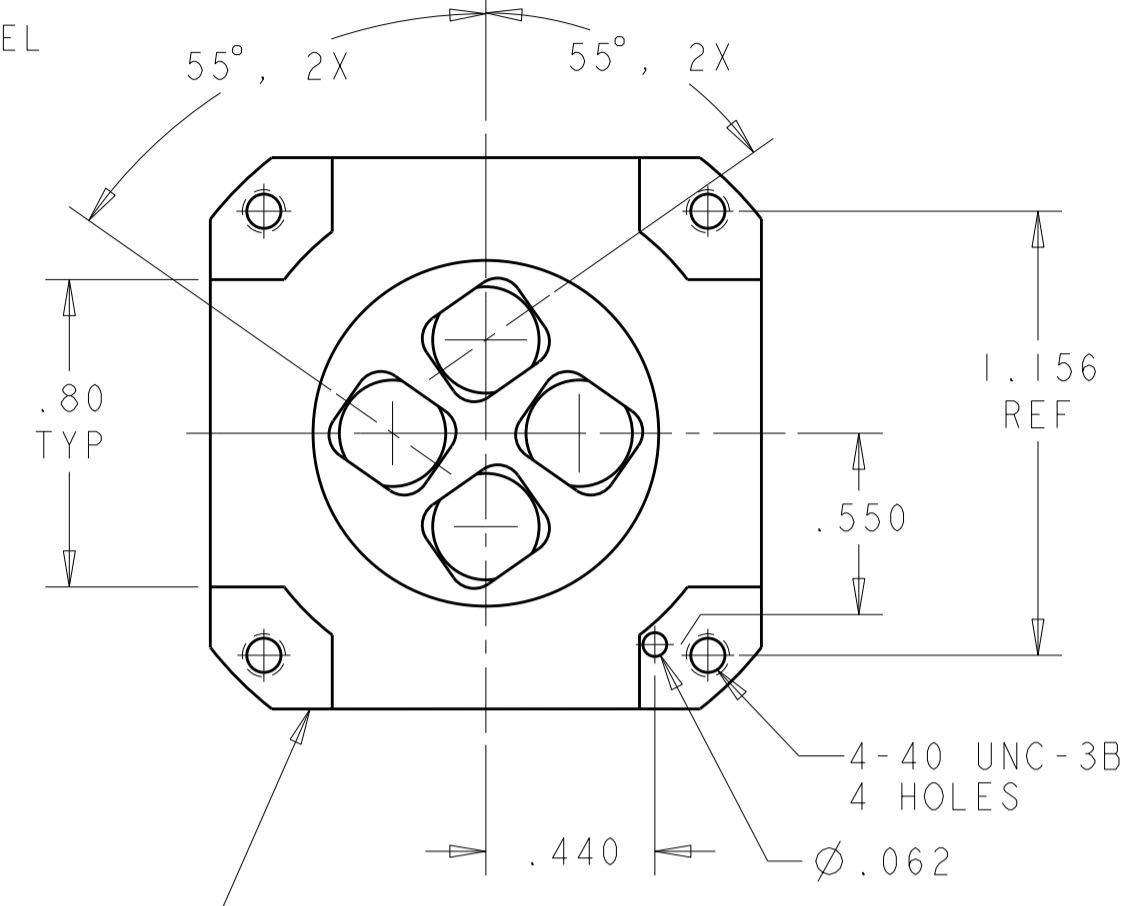


1.2500 0.1P-0.3L-TS-2A
 MODIFIED 60° STUB ACME
 TRIPLE START THREAD

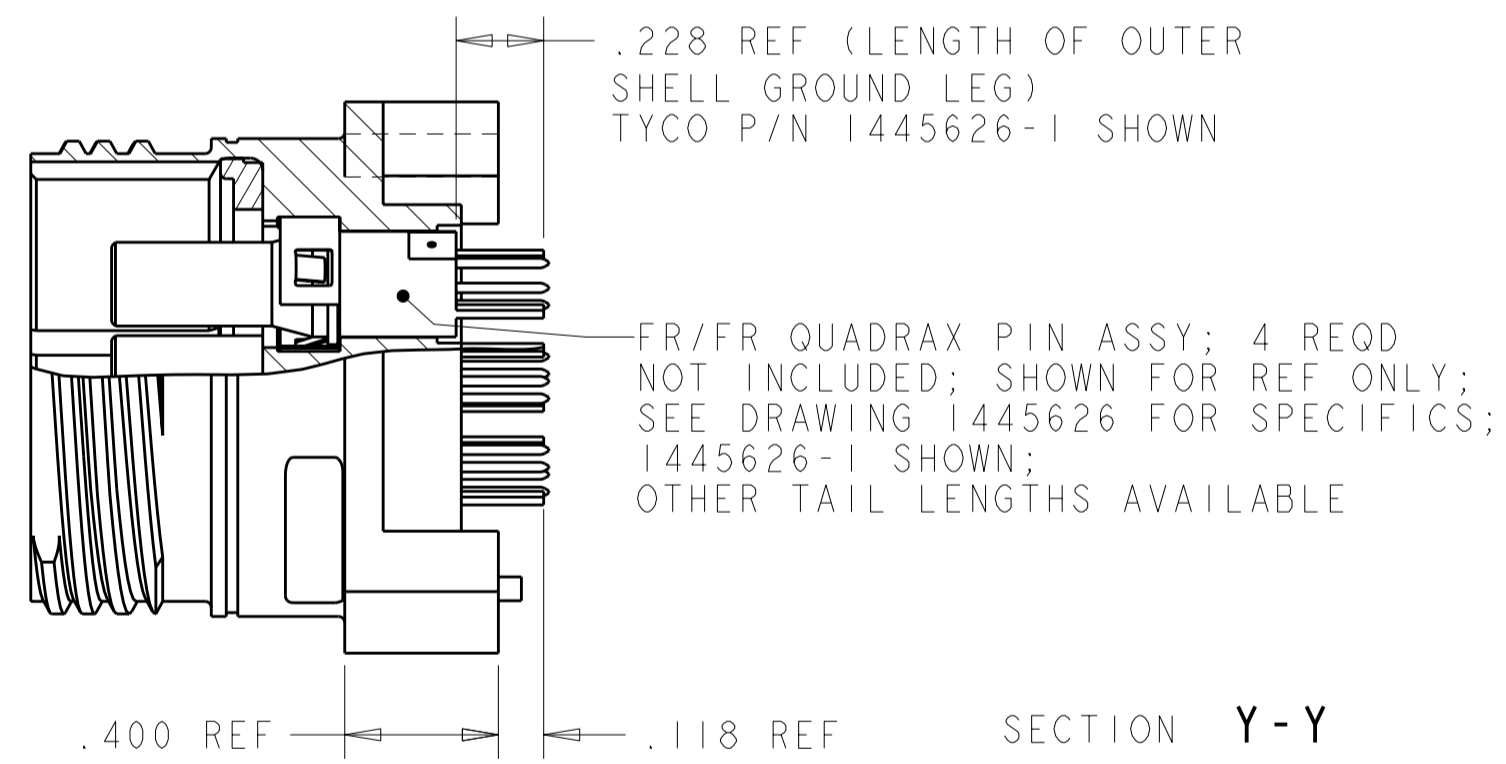
RETENTION CLIP, QTY=4
 MATERIAL: STAINLESS STEEL
 FINISH: PLATED SILVER
 OVER NICKEL UNDERPLATE

FULL MATE
 INDICATOR
 GROOVE

RECEPTACLE SHELL
 MATERIAL: ALUMINUM ALLOY
 FINISH: ELECTROLESS NICKEL



TEMPORARY REAR VIEW
 SHOWING PROVISIONS FOR
 PCB MOUNTING



FR/FR QUADRAX PIN ASSY; 4 REGD
 NOT INCLUDED; SHOWN FOR REF ONLY;
 SEE DRAWING 1445626 FOR SPECIFICS;
 1445626-1 SHOWN;
 OTHER TAIL LENGTHS AVAILABLE

SECTION Y-Y

CONTACTS NOT INCLUDED WITH ASSY;
 SHOWN FOR REFERENCE ONLY
 IN SHOWING SOLDER TAIL LENGTHS

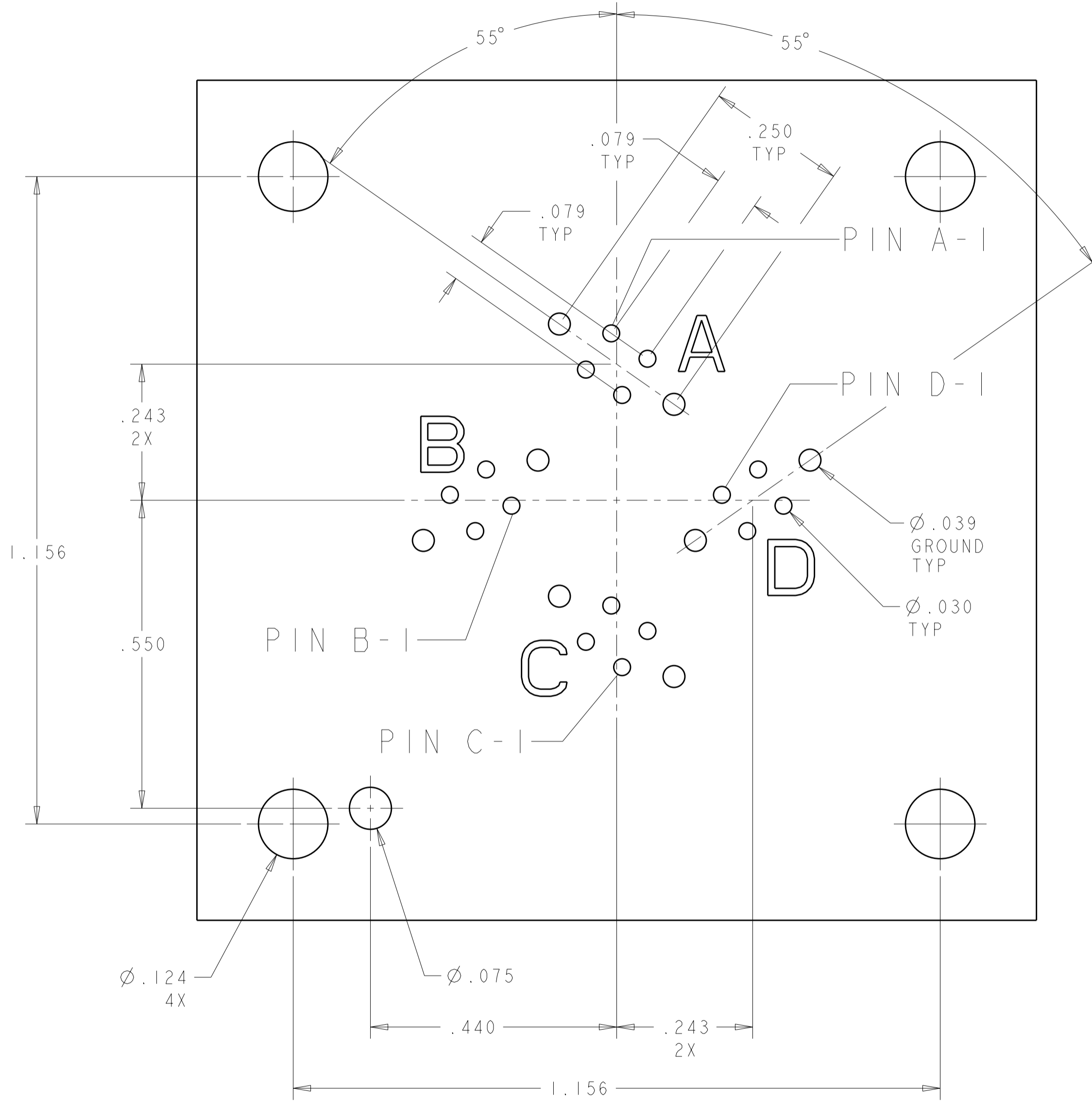
- THIS CONNECTOR ACCEPTS TYCO ELECTRONICS QUADRAX FR/FR PIN ASSEMBLY; BASE NUMBERS 1445626.
- PART IS MARKED WITH CUSTOMER PART NO. (SEE TABLE, TYCO ELECTRONICS CAGE CODE (00779), TYCO ELECTRONICS LOGO OR TE AND DATE CODE.
- THE CONNECTOR QUALIFICATION WAS COMPLETED PER TYCO ELECTRONICS 108-2199. THE QUADRAX CONTACTS ARE QUALIFIED PER TYCO ELECTRONICS 108-2131. THE REFERENCE TEST REPORTS ARE TYCO ELECTRONICS 501-660 FOR THE CONNECTOR AND 501-574 FOR THE CONTACTS WHICH ARE SAME AS ARINC 600-13, DRAFT 2 OF SUPPLEMENT 14 (AIR TRANSPORT AVIONICS EQUIPMENT INTERFACES).

---	B	1738974-3
---	A	1738974-2
---	N	1738974-1
CUSTOMER PART NUMBER	SHELL KEYING ARRANGEMENT	PART NUMBER

<small>THIS DRAWING IS A CONTROLLED DOCUMENT FOR TYCO ELECTRONICS CORPORATION. IT IS SUBJECT TO CHANGE AND THE CONTROLLING ENGINEERING ORGANIZATION SHOULD BE CONTACTED FOR THE LATEST REVISION.</small>		DWN 19MAY2004 Brent D. Yohn CHK 19MAY2004 W.H. BERNHART APVD 19MAY2004 W.H. BERNHART	Tyco Electronics Harrisburg, PA 17105-3608
DIMENSIONS: INCHES 	TOLERANCES UNLESS OTHERWISE SPECIFIED: 0 PLC ±- 1 PLC ±.1 2 PLC ±.01 3 PLC ±.005 4 PLC ±.0020 ANGLES ±2°30"	NAME ASSY, RECEPTACLE, SIZE 19, 404, M38999 STYLE, SERIES III, PCB MOUNT PRODUCT SPEC - APPLICATION SPEC - WEIGHT -	SIZE A2 CAGE CODE 00779 DRAWING NO. 1738974 RESTRICTED TO -
MATERIAL SEE CALLOUTS FINISH SEE CALLOUTS	CUSTOMER DRAWING	SCALE 2:1 SHEET 1 OF 2 REV C	

THIS DRAWING IS UNPUBLISHED. RELEASED FOR PUBLICATION 20
 © COPYRIGHT 20 BY TYCO ELECTRONICS CORPORATION. ALL RIGHTS RESERVED.

LOC	DIST	REVISIONS			
P	LTR	DESCRIPTION	DATE	DWN	APVD
-	-	SEE SHEET 1	-	-	-



PIN NUMBER	SIGNAL ALLOCATION
1	Tx+
2	Rx+
3	Tx-
4	Rx-
PIN LOCATIONS GO CLOCKWISE FROM POSITION 1	

PCB LAYOUT
TOP VIEW

THIS DRAWING IS A CONTROLLED DOCUMENT FOR TYCO ELECTRONICS CORPORATION. IT IS SUBJECT TO CHANGE AND THE CONTROLLING ENGINEERING ORGANIZATION SHOULD BE CONTACTED FOR THE LATEST REVISION.		DWN Brent D. Yohn 19MAY2004	Tyco Electronics Harrisburg, PA 17105-3608	
DIMENSIONS: IN		CHK W.H. BERNHART 19MAY2004	NAME ASSY, RECEPTACLE, SIZE 19, 4Q4, M38999 STYLE, SERIES III, PCB MOUNT	
TOLERANCES UNLESS OTHERWISE SPECIFIED: 0 PLC ±. 1 PLC ±.1 2 PLC ±.01 3 PLC ±.005 4 PLC ±.0020 ANGLES ±2°30"		APVD W.H. BERNHART 19MAY2004	PRODUCT SPEC -	
MATERIAL		APPLICATION SPEC -	RESTRICTED TO -	
-		WEIGHT -	SIZE A2	CAGE CODE 00779
-		CUSTOMER DRAWING	DRAWING NO 1738974	SCALE 2:1
-		SHEET 2 OF 2		REV C

X-ON Electronics

Largest Supplier of Electrical and Electronic Components

Click to view similar products for [Standard Circular Connector](#) category:

Click to view products by [TE Connectivity](#) manufacturer:

Other Similar products are found below :

[5M2530B10P](#) [600259N006](#) [600273N007](#) [6134-336-13149](#) [6134-337-11149](#) [6134-337-2390](#) [6134-341-17149](#) [6280-4SG-516](#) [6280-7SG-3DC](#)
[6290](#) [6291A](#) [66200A-10](#) [680-SMG](#) [681-PMG](#) [CXS3102A14S2P](#) [CXS3102A181S](#) [7251-5SG-300](#) [7271-6SG-300](#) [7282-3PG-300-CH3](#) [75-](#)
[474618-01S](#) [75-474618-04P](#) [75-474618-04S](#) [799539-000](#) [MI8-SE](#) [805-005-07NF11-19PC](#) [805-005-07NF15-7PA](#) [8280-4PG-516](#) [8280-7PG-](#)
[519](#) [8282-5PG-519](#) [836783-1](#) [MP-4102-25P-C](#) [862256-1](#) [864019-2](#) [866857-1](#) [867865-1](#) [PT01SP-14-18P](#) [PT08P-14-5S](#) [PTSF06SE-14-12S](#)
[120-1833-000](#) [QCM019PC2DC012B](#) [1-2069279-1](#) [121583-0217](#) [121667-0020](#) [129591AU](#) [1000B BULK](#) [RD10A16-19-P6CS051/1](#)
[RD10A20-31-P8CS051/1](#) [RD16A14-12-S6CS051/2](#) [1301240290](#) [1301240347](#) [1301860202](#)