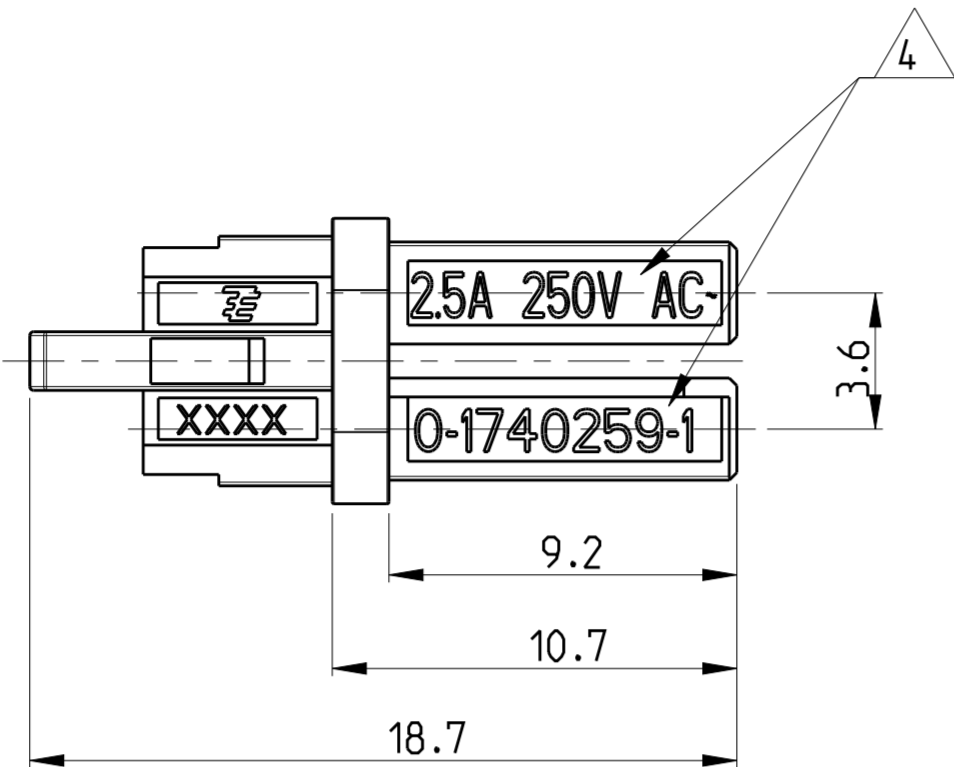


THIS DRAWING IS UNPUBLISHED. RELEASED FOR PUBLICATION 2005  
 © COPYRIGHT 2005 Tyco Electronics AMP GmbH ALL RIGHTS RESERVED.

LOC	DIST	REVISIONS					
		P	LTR	DESCRIPTION	DATE	DWN	APVD
A1	-	H		ECR-16-003641	11MAY2016	RS	JL
		J		ECR-16-017348	24FEB2017	RK	JL
		J1		ADDED LV-2 PN -3 AND -4	15OCT2018	MZ	MZ
		J2		PNS -3 AND -4 RELEASED FOR PRODUCTION	07NOV2018	MZ	MZ



HIGH-VOLTAGE

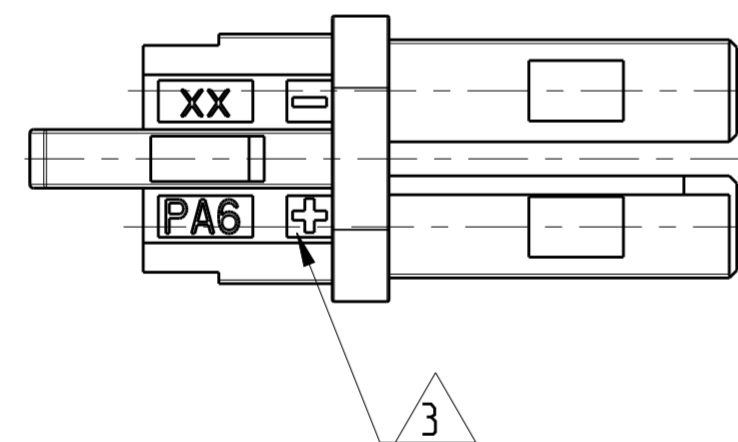
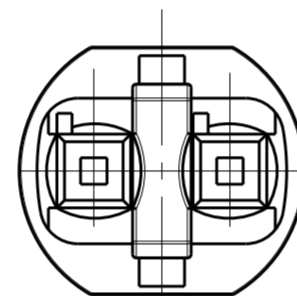
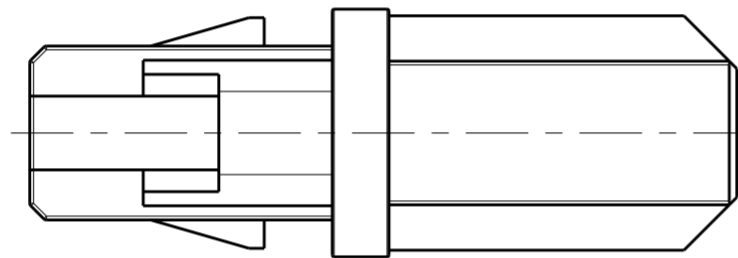
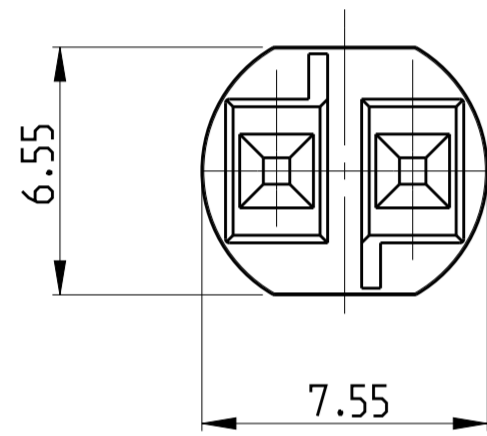
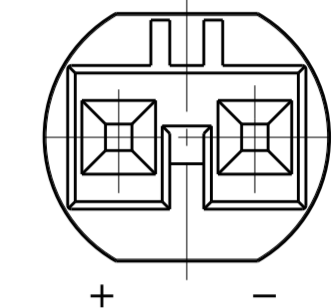
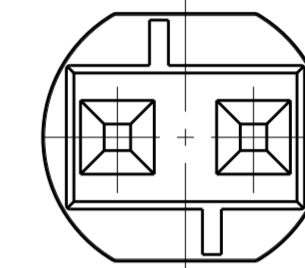
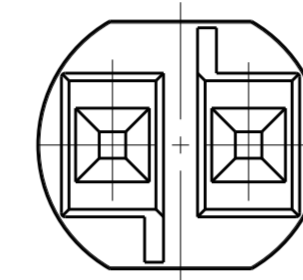
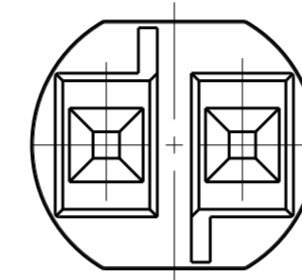
Keying HV-1

Keying HV-2

LOW VOLTAGE

Keying LV-1

Keying LV-2

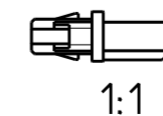
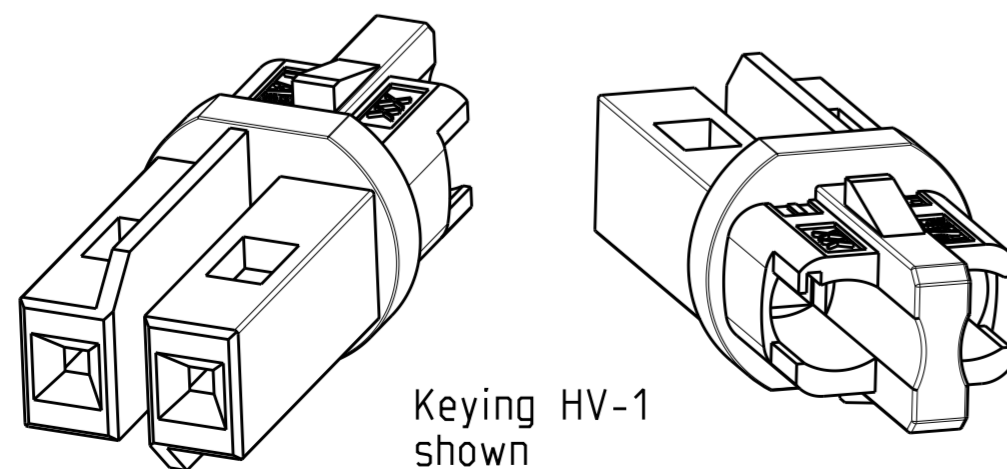


Remarks:

- cavities designed for MQS socket contact PN 1740336-x
- Counterpart is Outlet PN 1740262-x and corresponding products of the MiniHVL family

- 3 Polarity marking +/- permanent / usable for DC version
- 4 PN specific marking
- 5 OBSOLETE
- 6 PRELIMINARY

6	LV-2	LOW -VOLTAGE 125VAC /VDC	125VAC /VDC	NATURAL/WHITE	0-1740449-4
	LV-2	LOW -VOLTAGE 125VAC /VDC	125VAC /VDC	BLACK (ANTHRACITE)	0-1740449-3
	LV-2	LOW -VOLTAGE 125VAC /VDC	125VAC /VDC	YELLOW	0-1740449-2
5	LV-1	LOW -VOLTAGE 125VAC /VDC	125VAC /VDC	LIGHT GREY	0-1740449-1
	HV-3	HIGH-VOLTAGE 125 V AC	6A/125V AC ~	BLUE	0-1740259-6
	HV-2	Switch	max. 7A	RED	0-1740259-5
	HV-1	HIGH-VOLTAGE 250V AC	2.5A/250V AC ~	BLACK (ANTHRACITE)	0-1740259-2
	HV-1	HIGH-VOLTAGE 250V AC	2.5A/250V AC ~	NATURAL/WHITE	0-1740259-1
	Keying	REMARKS	Marking 4	COLOR	PN



THIS DRAWING IS A CONTROLLED DOCUMENT.

DIMENSIONS: mm	TOLERANCES UNLESS OTHERWISE SPECIFIED: 0 PLC ±0.2 1 PLC ±0.2 2 PLC ±0.2 3 PLC ± 4 PLC ± ANGLES ±° FINISH	DWN H. HATZMANN 08FEB2005	TE Connectivity
		CHK DEENLOCH 08FEB2005	
MATERIAL PA 6		APVD BARTOSCH 08FEB2005	NAME NECTOR S CONNECTOR SYSTEM PLUG
		PRODUCT SPEC 108-94018	SIZE CAGE CODE DRAWING NO RESTRICTED TO A2 00779 C-1740259 -
		APPLICATION SPEC 114-18751	SCALE 5:1 SHEET 1 OF 1 REV J2
		WEIGHT 0.4 g	CUSTOMER DRAWING

## X-ON Electronics

Largest Supplier of Electrical and Electronic Components

*Click to view similar products for [Lighting Connectors](#) category:*

*Click to view products by [TE Connectivity](#) manufacturer:*

Other Similar products are found below :

[293300-7](#) [293660-5](#) [CNX\\_H03\\_NTP](#) [30-9767-BU](#) [3605](#) [3-21030-1](#) [ZCH-110-RGB-I](#) [503471-0290](#) [ZCH-110-RGB-J](#) [217-0716-200](#)  
[1954563-1](#) [1-293657-2](#) [2834036-1](#) [2834037-1](#) [1-2213222-4](#) [2-2213222-4](#) [2213222-4](#) [2834122-3](#) [2834122-5](#) [2834135-2](#) [FLA-R4142-30](#)  
[FLA-R4162-30](#) [FLA-R2142-30](#) [FLA-R2141-30](#) [FLA-R2162-30](#) [FLA-R2161-30](#) [FLA-R0161-30](#) [FLA-R0141-30](#) [FLA-R0142-30](#) [FLA-](#)  
[R0162-30](#) [FLA-C00-00](#) [DGA00010553](#) [CNXV04NTP](#) [104128-0610](#) [503485-0000 \(Cut Strip\)](#) [503485-0000 \(Loose Piece\)](#) [503485-0000](#)  
[\(MINI Reel\)](#) [1-2834074-2](#) [1-2834074-3](#) [1357-AC PLUG W2C \(CHINA\)](#) [1357-AC PLUG W2 \(USA\)](#) [104266-0110](#) [2106212-1](#) [2-2834074-2](#)  
[104266-0210](#) [293470-1](#) [293651-2](#) [293651-4](#) [1-2834006-2](#) [293651-1](#)