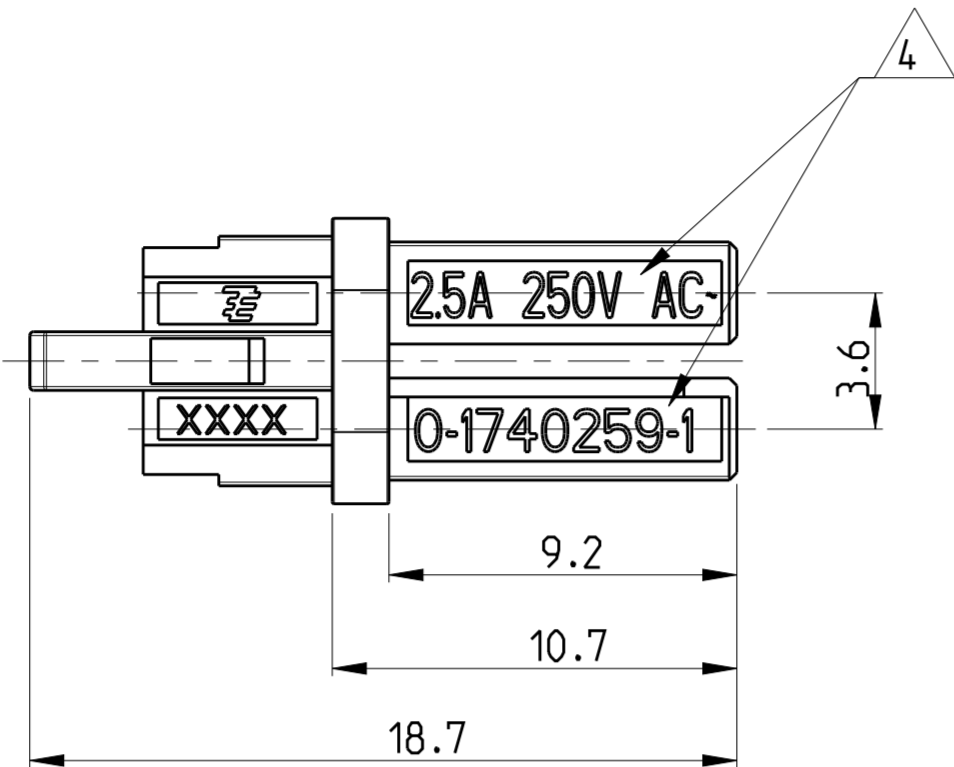


THIS DRAWING IS UNPUBLISHED. RELEASED FOR PUBLICATION 2005  
 © COPYRIGHT 2005 Tyco Electronics AMP GmbH ALL RIGHTS RESERVED.

LOC	DIST	REVISIONS					
		P	LTR	DESCRIPTION	DATE	DWN	APVD
A1	-	H		ECR-16-003641	11MAY2016	RS	JL
		J		ECR-16-017348	24FEB2017	RK	JL
		J1		ADDED LV-2 PN -3 AND -4	15OCT2018	MZ	MZ
		J2		PNs -3 AND -4 RELEASED FOR PRODUCTION	07NOV2018	MZ	MZ



HIGH-VOLTAGE

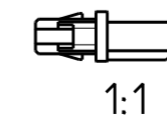
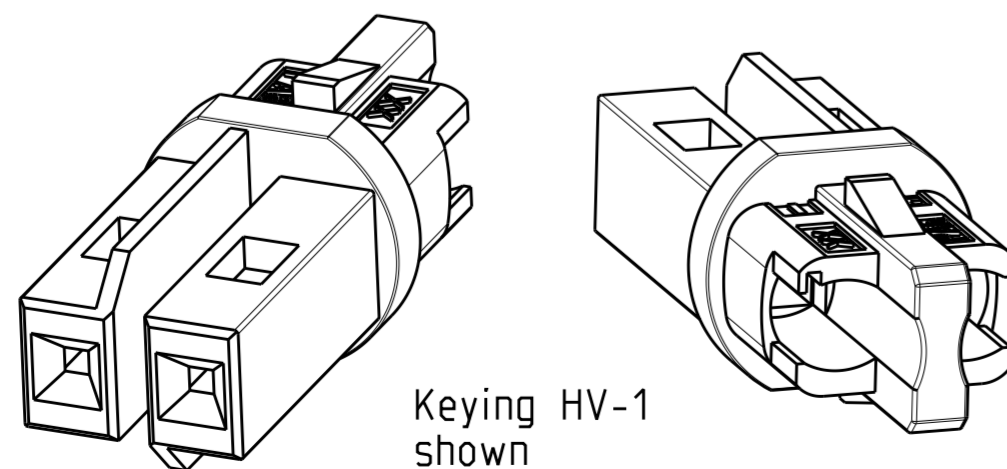
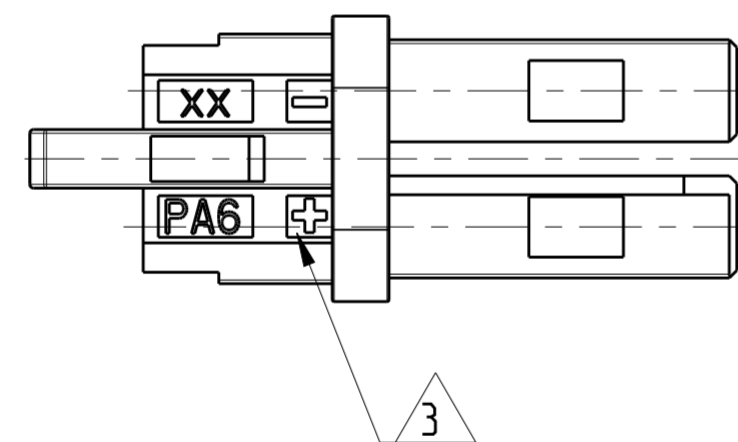
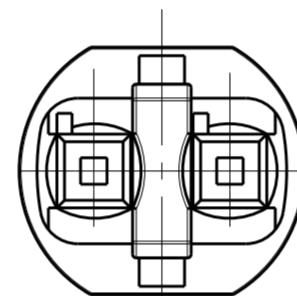
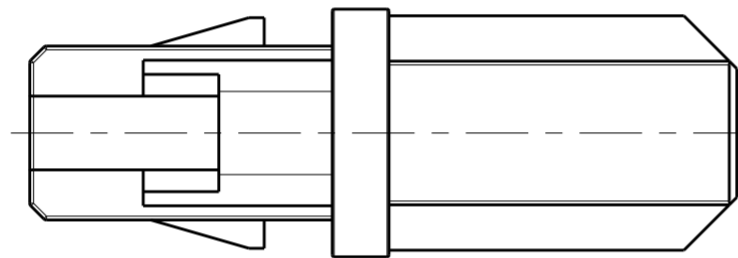
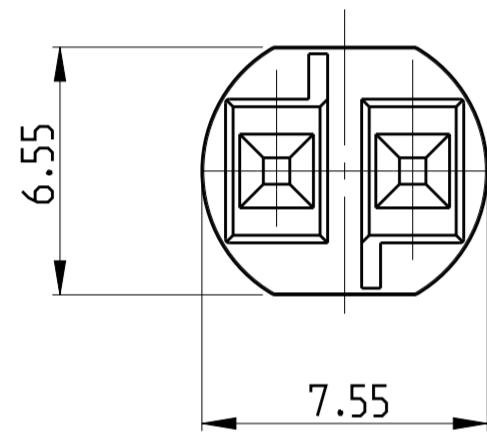
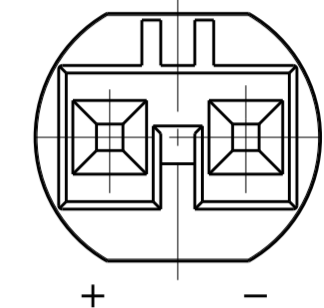
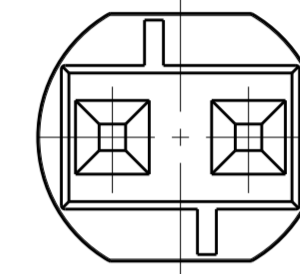
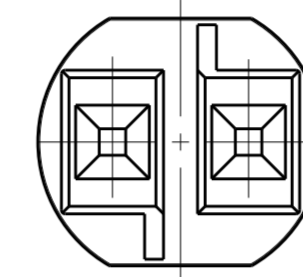
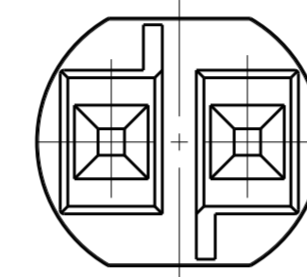
Keying HV-1

Keying HV-2

LOW VOLTAGE

Keying LV-1

Keying LV-2



Remarks:

- cavities designed for MQS socket contact PN 1740336-x
- Counterpart is Outlet PN 1740262-x and corresponding products of the MiniHVL family

- 3 Polarity marking +/- permanent / usable for DC version
- 4 PN specific marking
- 5 OBSOLETED
- 6 PRELIMINARY

6	LV-2	LOW -VOLTAGE 125VAC /VDC	125VAC /VDC	NATURAL/WHITE	0-1740449-4
	LV-2	LOW -VOLTAGE 125VAC /VDC	125VAC /VDC	BLACK (ANTHRACITE)	0-1740449-3
	LV-2	LOW -VOLTAGE 125VAC /VDC	125VAC /VDC	YELLOW	0-1740449-2
5	LV-1	LOW -VOLTAGE 125VAC /VDC	125VAC /VDC	LIGHT GREY	0-1740449-1
	HV-3	HIGH-VOLTAGE 125 V AC	6A/125V AC ~	BLUE	0-1740259-6
	HV-2	Switch	max. 7A	RED	0-1740259-5
	HV-1	HIGH-VOLTAGE 250V AC	2.5A/250V AC ~	BLACK (ANTHRACITE)	0-1740259-2
	HV-1	HIGH-VOLTAGE 250V AC	2.5A/250V AC ~	NATURAL/WHITE	0-1740259-1
	Keying	REMARKS	Marking 4	COLOR	PN

THIS DRAWING IS A CONTROLLED DOCUMENT.		DWN H. HATZMANN 08FEB2005	TE Connectivity	
DIMENSIONS: mm		CHK DEENLOCH 08FEB2005		
TOLERANCES UNLESS OTHERWISE SPECIFIED:		APVD BARTOSCH 08FEB2005	NAME NECTOR S CONNECTOR SYSTEM PLUG	
0 PLC ±0.2		PRODUCT SPEC 108-94018	SIZE CAGE CODE DRAWING NO RESTRICTED TO	
1 PLC ±0.2		APPLICATION SPEC 114-18751	A2 00779 C-1740259	
2 PLC ±0.2		WEIGHT 0.4 g	SCALE 5:1 SHEET 1 OF 1 REV J2	
3 PLC ±		CUSTOMER DRAWING		
4 PLC ±				
ANGLES FINISH				

## X-ON Electronics

Largest Supplier of Electrical and Electronic Components

*Click to view similar products for [Lighting Connectors](#) category:*

*Click to view products by [TE Connectivity](#) manufacturer:*

Other Similar products are found below :

[21061-9](#) [293300-7](#) [2106117-2](#) [293660-5](#) [293700-2](#) [CNX\\_H03\\_NTP](#) [30-9767-BU](#) [3-21030-1](#) [ZCH-110-RGB-I](#) [503471-0290](#) [ES5P09K4F2](#)  
[CNXH02NTP](#) [ZCH-110-RGB-J](#) [217-0716-200](#) [192992-0057](#) [1954563-1](#) [217-3030-000](#) [217-3032-000](#) [237-0734-003](#) [DTS24W25-20PN-LC](#)  
[1-2213614-2](#) [2834049-3](#) [ES9S002SZZ](#) [2834049-2](#) [2-2834067-3](#) [1-293657-2](#) [2834049-1](#) [293699-2](#) [293701-3](#) [1-2213614-3](#) [2834036-1](#)  
[2834037-1](#) [2213614-3](#) [2307526-2](#) [2-2106124-3](#) [2-2834068-3](#) [FLS2SC4001BP](#) [FLSC80352000](#) [FLSC80354000](#) [FLSC80353000](#) [FLSSB8002](#)  
[FLSSB8001](#) [FLSC80351000](#) [FLSSB4001](#) [FLSC80504000](#) [FLSC80502000](#) [FLSC80501000](#) [FLSSR4001](#) [X3700WM-02HF-LPSN](#) [FLA-](#)  
[R4142-30](#)