

THIS DRAWING IS UNPUBLISHED.

RELEASED FOR PUBLICATION

2005

© COPYRIGHT 2005

Tyco Electronics AMP GmbH

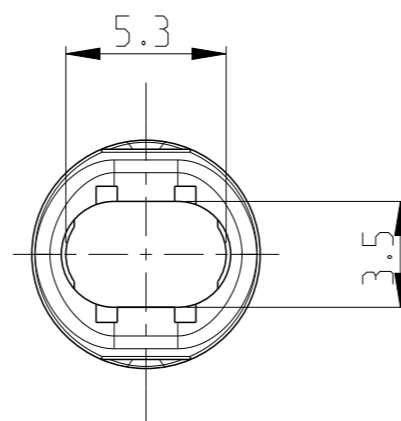
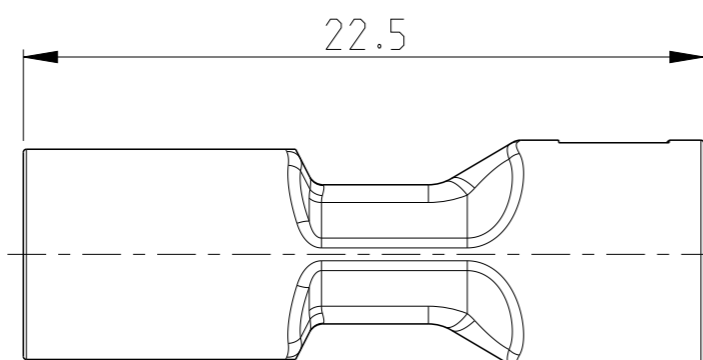
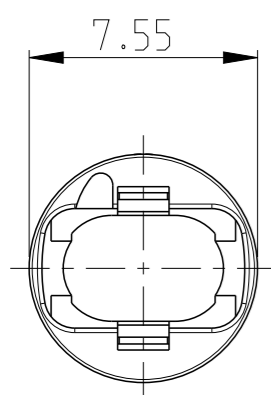
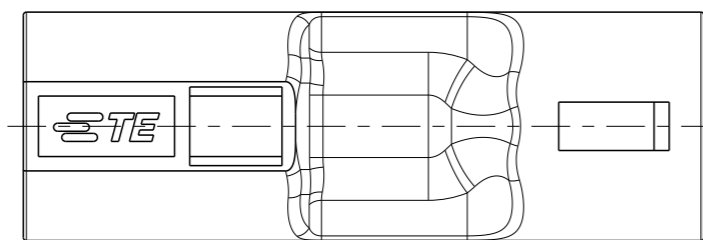
ALL RIGHTS RESERVED.

LOC  
A1

DIST  
-

REVISIONS

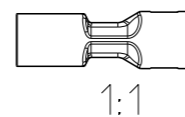
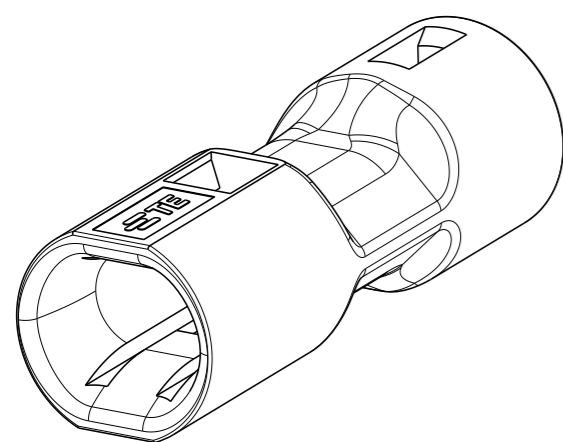
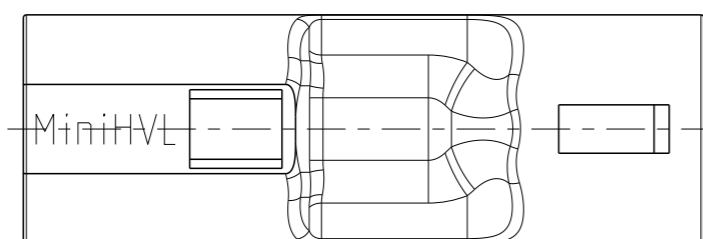
P	LTR	DESCRIPTION	DATE	DWN	APVD
	J1	REVISED PER ECR-14-008397	10JUN2014	RS	DD
	K	REVISED PER ECR-15-011040	04AUG2015	RS	PO



Remarks:

- Space inside designed for cable type H03VVH2-F 2x0,75mm<sup>2</sup> (Details see Application Spec.)
- Counterparts see drawings for PN 1740259, 1740261 and 1740262 and corresponding products of the MiniHVL family

Material is improved against UV influence



0-1740260-2	K	BLACK
0-1740260-1	K	WHITE
PN	REV.	COLOR

THIS DRAWING IS A CONTROLLED DOCUMENT.		DWN H.ATZMANN 08FEB2005	TE Connectivity <b>7.5mm MiniHVL Connector System TUBE</b>											
DIMENSIONS: mm		CHK M.OFENLOCH 08FEB2005												
TOLERANCES UNLESS OTHERWISE SPECIFIED:		APVD S.SKADE 29SEP2006												
<table border="0"> <tr><td>0 PLC</td><td>±0.2</td></tr> <tr><td>1 PLC</td><td>±0.2</td></tr> <tr><td>2 PLC</td><td>±0.2</td></tr> <tr><td>3 PLC</td><td>±</td></tr> <tr><td>4 PLC</td><td>±</td></tr> <tr><td>ANGLES</td><td>±1°</td></tr> </table>		0 PLC				±0.2	1 PLC	±0.2	2 PLC	±0.2	3 PLC	±	4 PLC	±
0 PLC	±0.2													
1 PLC	±0.2													
2 PLC	±0.2													
3 PLC	±													
4 PLC	±													
ANGLES	±1°													
MATERIAL TPE		FINISH -	APPLICATION SPEC 114-18751	SIZE A3	CAGE CODE 00779	DRAWING NO C=1740260	RESTRICTED TO -							
Customer Drawing			WEIGHT 0.5 g	SCALE 4:1	SHEET 1 OF 1	REV K								

## X-ON Electronics

Largest Supplier of Electrical and Electronic Components

*Click to view similar products for [Lighting Connectors](#) category:*

*Click to view products by [TE Connectivity](#) manufacturer:*

Other Similar products are found below :

[293300-7](#) [293660-5](#) [CNX\\_H03\\_NTP](#) [30-9767-BU](#) [3605](#) [3-21030-1](#) [ZCH-110-RGB-I](#) [503471-0290](#) [ZCH-110-RGB-J](#) [217-0716-200](#)  
[1954563-1](#) [1-293657-2](#) [2834036-1](#) [2834037-1](#) [1-2213222-4](#) [2-2213222-4](#) [2213222-4](#) [2834122-3](#) [2834122-5](#) [2834135-2](#) [FLA-R4142-30](#)  
[FLA-R4162-30](#) [FLA-R2142-30](#) [FLA-R2141-30](#) [FLA-R2162-30](#) [FLA-R2161-30](#) [FLA-R0161-30](#) [FLA-R0141-30](#) [FLA-R0142-30](#) [FLA-](#)  
[R0162-30](#) [FLA-C00-00](#) [DGA00010553](#) [CNXV04NTP](#) [104128-0610](#) [503485-0000 \(Cut Strip\)](#) [503485-0000 \(Loose Piece\)](#) [503485-0000](#)  
[\(MINI Reel\)](#) [1-2834074-2](#) [1-2834074-3](#) [1357-AC PLUG W2C \(CHINA\)](#) [1357-AC PLUG W2 \(USA\)](#) [104266-0110](#) [CNXV02NTP](#) [2106212-1](#)  
[2-2834074-2](#) [104266-0210](#) [293470-1](#) [293651-2](#) [293651-4](#) [1-2834006-2](#)