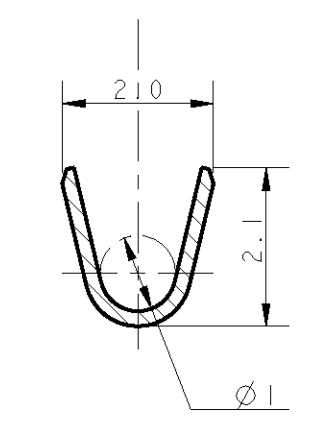
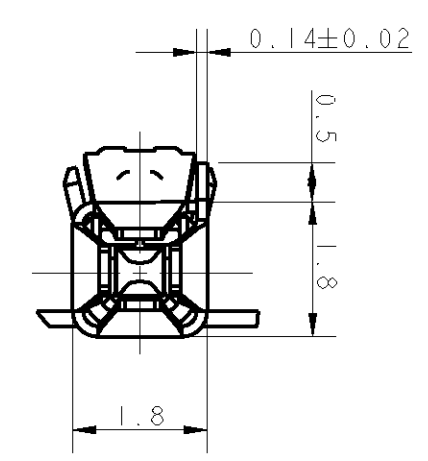
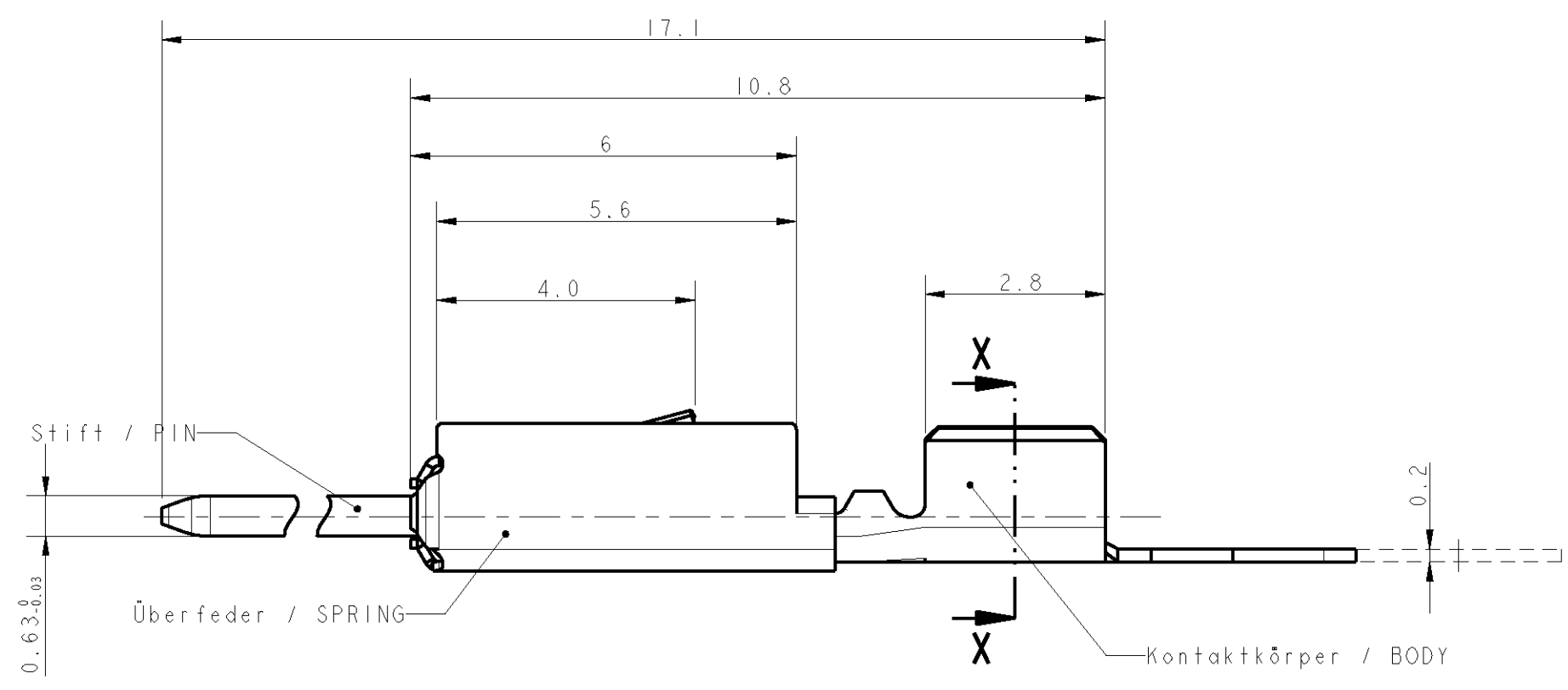
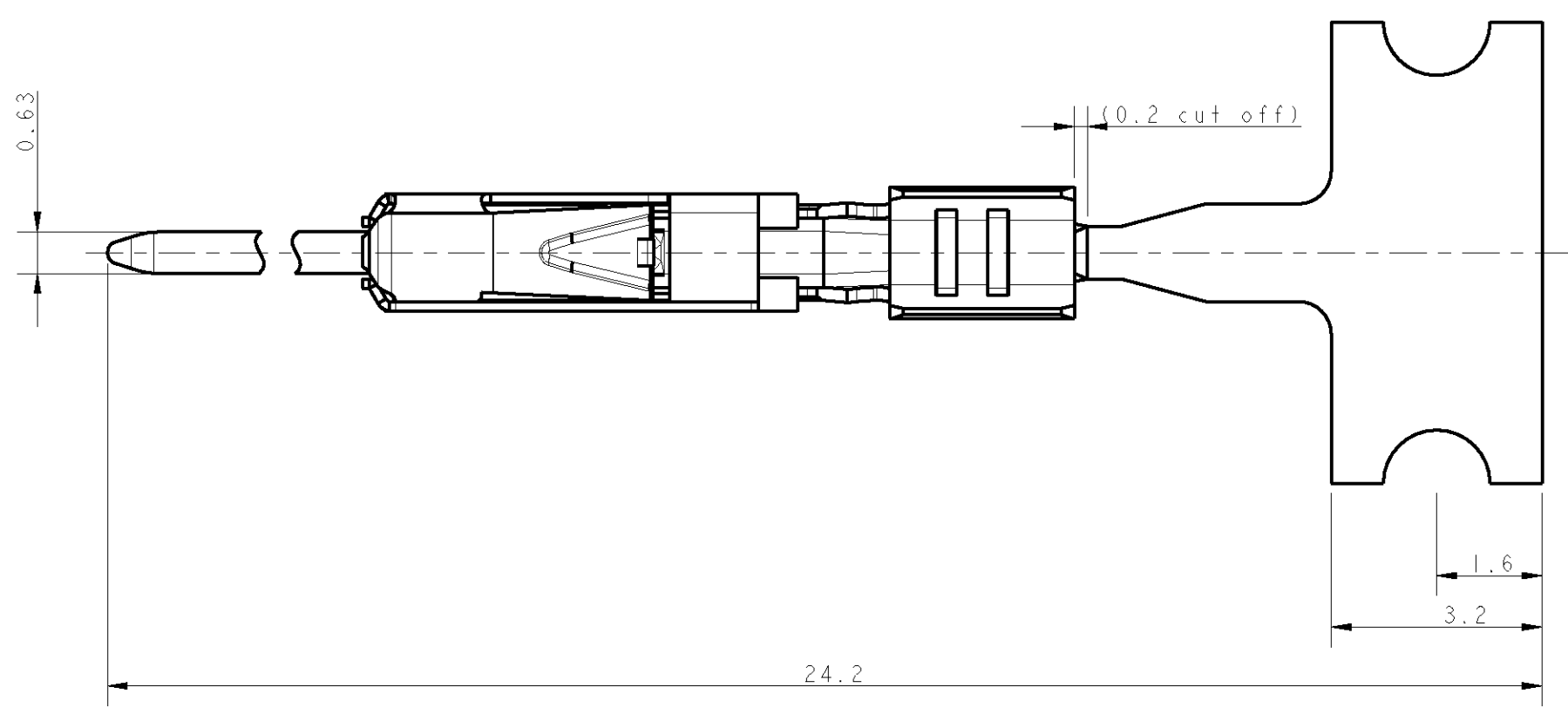


THIS DRAWING IS UNPUBLISHED. RELEASED FOR PUBLICATION
 © COPYRIGHT copyright_date BY TYCO ELECTRONICS CORPORATION. ALL RIGHTS RESERVED.

LOC	DIST	REVISIONS			
P	LTR	DESCRIPTION	DATE	DWN	APVD
B		add PN -7 -8	15MAY2007	SRE	SKA
BI		TYCO ELECTRONICS SYMBOL CORRECTED	07SEP2007	Bα	SKA

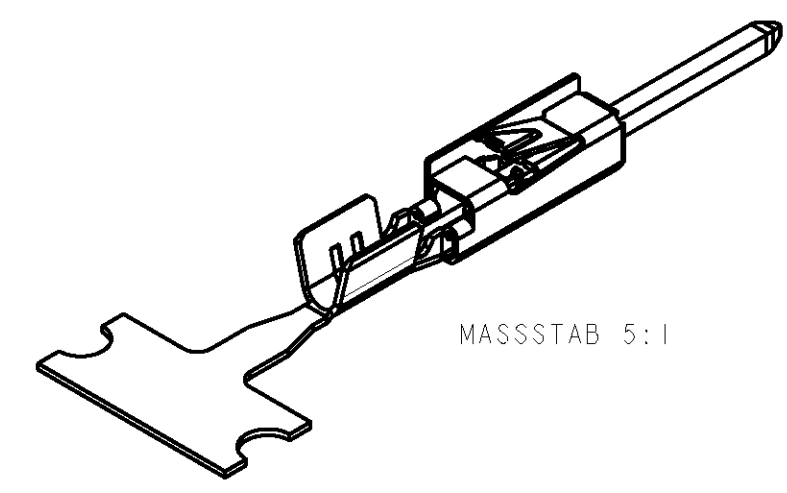


SECTION X-X



Bemerkungen
NOTES

1. Passend zu Buchenkontakt siehe Zeichnung:AMP:1740336
SUITABLE FOR SOCKET CONTACT, SEE DRAWING:
2. Kontakt geeignet für Drahtgrößenbereich 0.5...0.75mm²
CONTACT ACCEPTS WIRE-SIZE 0.5...0.75mm²
3. Halbautomatisches Werkzeug und Handzange
(je für 2 crimps in einem Durchgang) verfügbar
SEMI-AUTOMATIC TOOL AND HANDTOOL
(EACH FOR 2 CRIMPS IN ONE CYCLE) AVAILABLE:
4. Abmantellänge für crimp ist 3,5 mm
STRIPPED CABLE LENGTH FOR CRIMP IS 3.5mm
5. Gewicht ca. 0,12g
WEIGHT ABOUT 0.12g
6. Werkzeugvorschub 7,0 mm
DIE FEED 7,0 mm
7. Aufgerollt auf Kartonspule
REELED ON PAPER-REEL



9	1740335-8	1740335-7	A	WITH SPRING	3 SPRING	X10CrNi 18 8		
					2 PIN	CuNi3Si / Gold		
					1 BODY	CuNiSi		
9	1740335-6	1740335-4	A	WITH SPRING	3 SPRING	X10CrNi 18 8		
					2 PIN	CuNi3Si / Tin		
					1 BODY	CuNiSi		
9	1740335-3	1740335-1	B	WITH SPRING	3 SPRING	X10CrNi 18 8		
					2 PIN	CuNi3Si / BLANK		
					1 BODY	CuNiSi		
DIRECTION OFF TOP OF REEL		LOOSE PIECE	PART NO	REV	DESCRIPTION	POS	DESCRIPTION	MATERIAL / FINISH CONTACT AREA

DIRECTION OFF TOP OF REEL Fertig-zustand 107-3(Fig.1) (M 1:1)	THIS DRAWING IS A CONTROLLED DOCUMENT FOR TYCO ELECTRONICS CORPORATION IT IS SUBJECT TO CHANGE AND THE CONTROLLING ENGINEERING ORGANIZATION SHOULD BE CONTACTED FOR THE LATEST REVISION	DWN PRAVEEN 24 APR 06 CHK S. SKADE 24 APR 06 APVD T. GERLACH 24 APR 06	Tyco Electronics AMP GmbH 64625 Bensheim (Germany)
	DIMENSIONS: mm TOLERANCES UNLESS OTHERWISE SPECIFIED: 0 PLC ±- 1 PLC ±0.2 2 PLC ±- 3 PLC ±- 4 PLC ±- ANGLES ±- FINISH ±-	SEE TABLE SEE TABLE	PRODUCT SPEC - APPLICATION SPEC - WEIGHT -
CUSTOMER DRAWING			SCALE 10. SHEET OF REV BI

X-ON Electronics

Largest Supplier of Electrical and Electronic Components

Click to view similar products for [Lighting Connectors](#) category:

Click to view products by [TE Connectivity](#) manufacturer:

Other Similar products are found below :

[293300-7](#) [293660-5](#) [CNX_H03_NTP](#) [30-9767-BU](#) [3605](#) [3-21030-1](#) [ZCH-110-RGB-I](#) [503471-0290](#) [ZCH-110-RGB-J](#) [217-0716-200](#)
[1954563-1](#) [1-293657-2](#) [2834036-1](#) [2834037-1](#) [1-2213222-4](#) [2-2213222-4](#) [2213222-4](#) [2834122-3](#) [2834122-5](#) [2834135-2](#) [FLA-R4142-30](#)
[FLA-R4162-30](#) [FLA-R2142-30](#) [FLA-R2141-30](#) [FLA-R2162-30](#) [FLA-R2161-30](#) [FLA-R0161-30](#) [FLA-R0141-30](#) [FLA-R0142-30](#) [FLA-](#)
[R0162-30](#) [FLA-C00-00](#) [DGA00010553](#) [CNXV04NTP](#) [104128-0610](#) [503485-0000 \(Cut Strip\)](#) [503485-0000 \(Loose Piece\)](#) [503485-0000](#)
[\(MINI Reel\)](#) [1-2834074-2](#) [1-2834074-3](#) [1357-AC PLUG W2C \(CHINA\)](#) [1357-AC PLUG W2 \(USA\)](#) [104266-0110](#) [CNXV02NTP](#) [2106212-1](#)
[2-2834074-2](#) [104266-0210](#) [293470-1](#) [293651-2](#) [293651-4](#) [1-2834006-2](#)