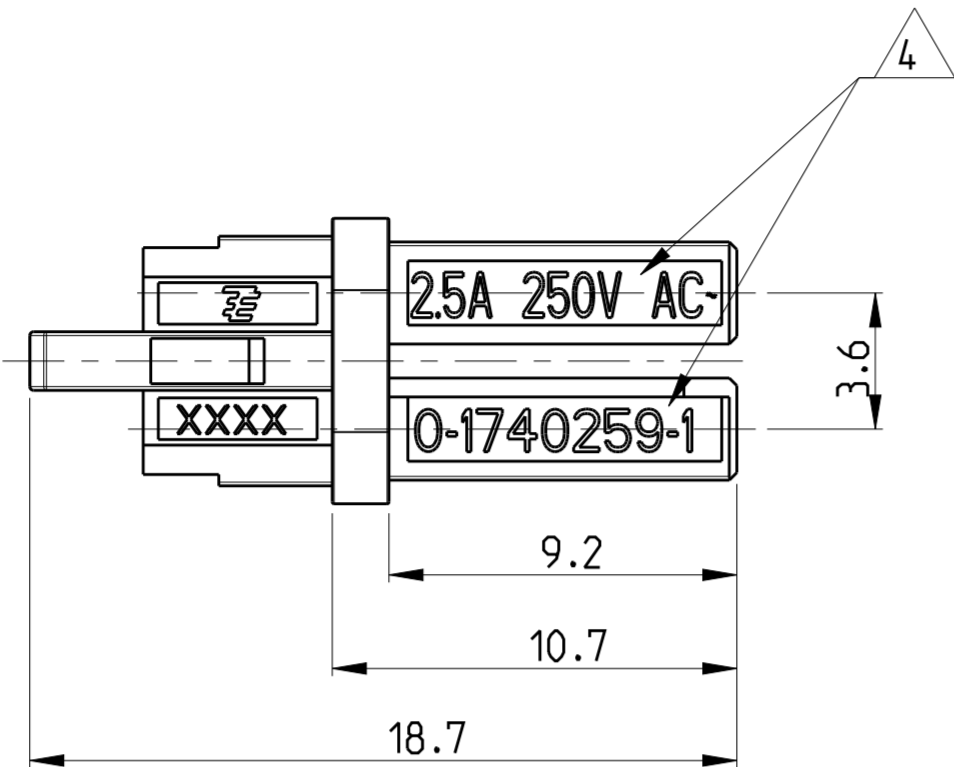
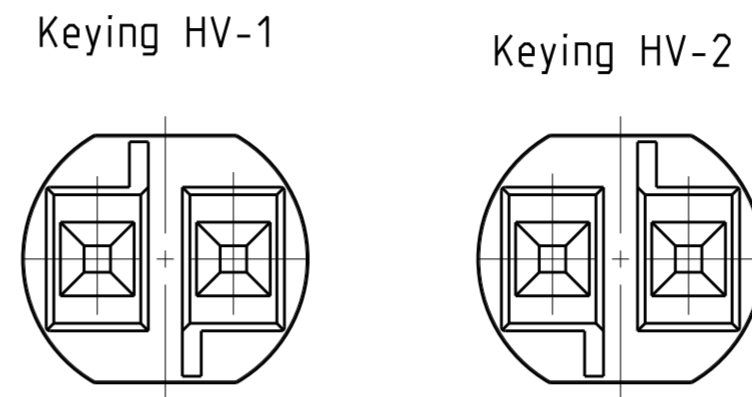


THIS DRAWING IS UNPUBLISHED. RELEASED FOR PUBLICATION 2005
 © COPYRIGHT 2005 Tyco Electronics AMP GmbH ALL RIGHTS RESERVED.

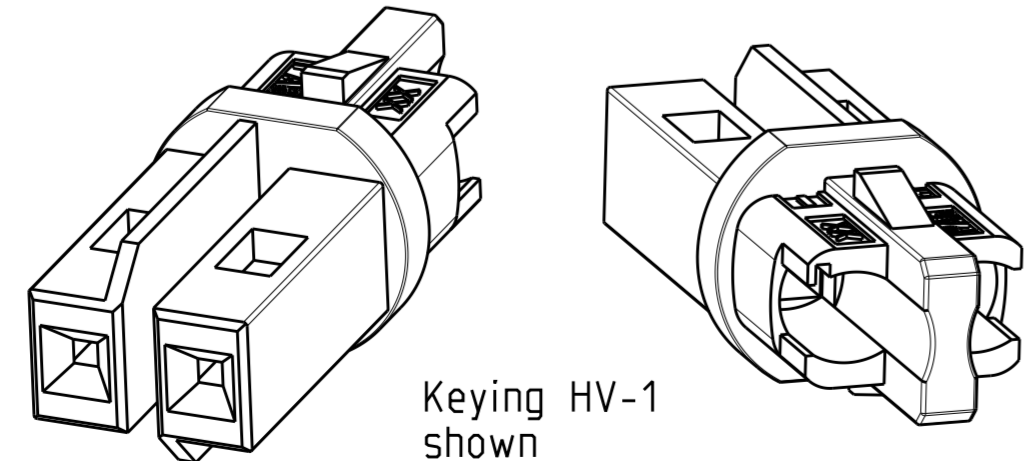
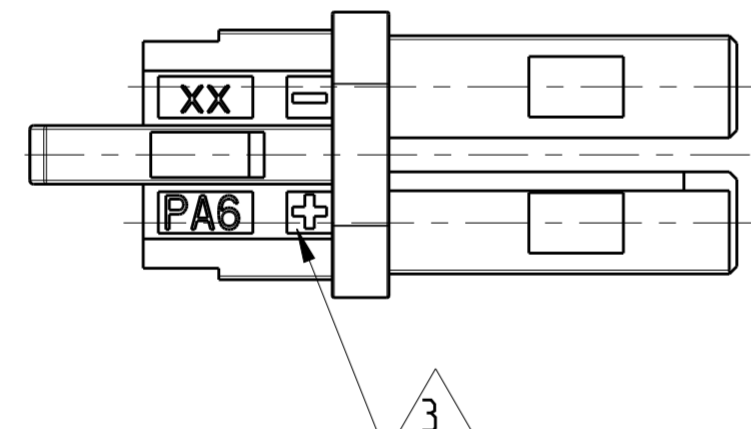
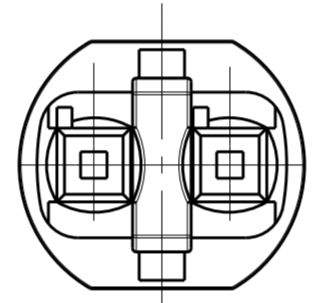
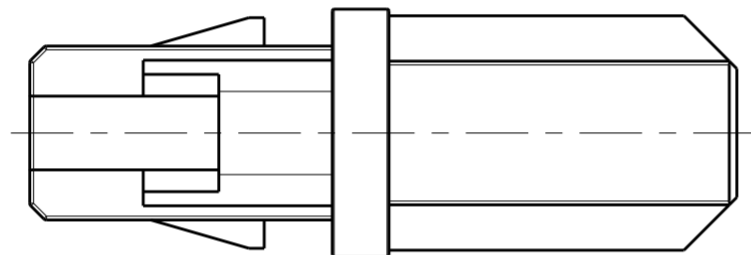
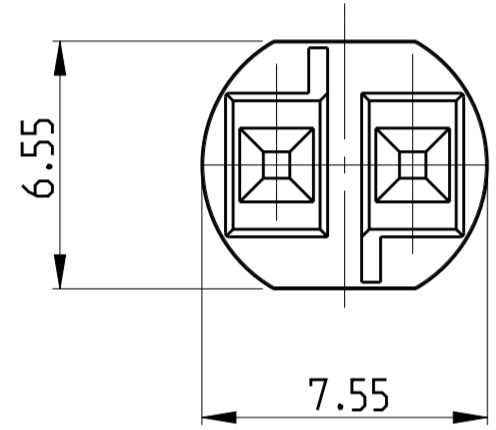
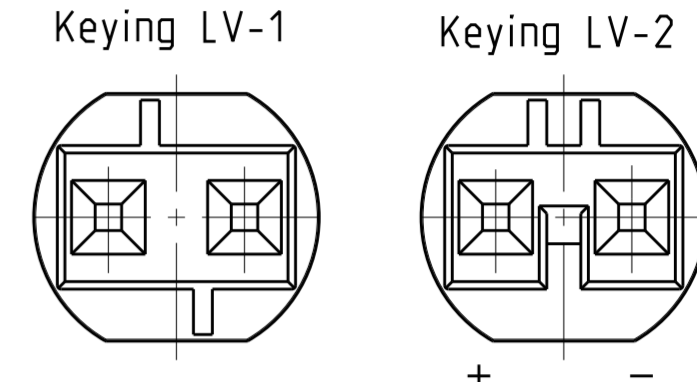
| LOC | DIST | REVISIONS | | | | | |
|-----|------|-----------|-----|---------------------------------------|-----------|-----|------|
| | | P | LTR | DESCRIPTION | DATE | DWN | APVD |
| A1 | - | H | | ECR-16-003641 | 11MAY2016 | RS | JL |
| | | J | | ECR-16-017348 | 24FEB2017 | RK | JL |
| | | J1 | | ADDED LV-2 PN -3 AND -4 | 15OCT2018 | MZ | MZ |
| | | J2 | | PNS -3 AND -4 RELEASED FOR PRODUCTION | 07NOV2018 | MZ | MZ |
| | | | | | | | |



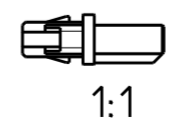
HIGH-VOLTAGE



LOW VOLTAGE



Keying HV-1 shown



- Remarks:
- cavities designed for MQS socket contact PN 1740336-x
 - Counterpart is Outlet PN 1740262-x and corresponding products of the MiniHVL family
- 3 Polarity marking +/- permanent / usable for DC version
 - 4 PN specific marking
 - 5 OBSOLETE
 - 6 PRELIMINARY

| | | | | | |
|---|--------|----------------------------|---------------|--------------------|-------------|
| 6 | LV-2 | LOW -VOLTAGE 125VAC/VDC | 125VAC/VDC | NATURAL/WHITE | 0-1740449-4 |
| | LV-2 | LOW -VOLTAGE 125VAC/VDC | 125VAC/VDC | BLACK (ANTHRACITE) | 0-1740449-3 |
| | LV-2 | LOW -VOLTAGE 125VAC/VDC | 125VAC/VDC | YELLOW | 0-1740449-2 |
| 5 | LV-1 | LOW -VOLTAGE 125VAC/VDC | 125VAC/VDC | LIGHT GREY | 0-1740449-1 |
| | HV-3 | HIGH-VOLTAGE 125 V AC | 6A/125V AC~ | BLUE | 0-1740259-6 |
| | HV-2 | Switch | max. 7A | RED | 0-1740259-5 |
| | HV-1 | HIGH-VOLTAGE 250V AC | 2.5A/250V AC~ | BLACK (ANTHRACITE) | 0-1740259-2 |
| | HV-1 | HIGH-VOLTAGE 250V AC | 2.5A/250V AC~ | NATURAL/WHITE | 0-1740259-1 |
| | Keying | REMARKS | Marking 4 | COLOR | PN |

THIS DRAWING IS A CONTROLLED DOCUMENT.

| | | | |
|-------------------|---|---------------------------|--------------------------------|
| DIMENSIONS: mm | TOLERANCES UNLESS OTHERWISE SPECIFIED: 0 PLC ±0.2 1 PLC ±0.2 2 PLC ±0.2 3 PLC ± 4 PLC ± ANGLES ±° FINISH | DWN H. HATZMANN 08FEB2005 | TE Connectivity |
| | | CHK DEENLOCH 08FEB2005 | |
| MATERIAL PA 6 | APVD BARTOSCH 08FEB2005 | NAME | NECTOR S CONNECTOR SYSTEM PLUG |
| | | PRODUCT SPEC | 108-94018 |
| APPLIC. SPEC | | 114-18751 | SIZE |
| WEIGHT | | 0.4 g | CAGE CODE |
| CUSTOMER DRAWING | | A2 00779 | DRAWING NO |
| SCALE | | 5:1 | RESTRICTED TO |
| SHEET | | 1 OF 1 | REV |
| | | J2 | |

X-ON Electronics

Largest Supplier of Electrical and Electronic Components

Click to view similar products for [Lighting Connectors](#) category:

Click to view products by [TE Connectivity](#) manufacturer:

Other Similar products are found below :

[21061-9](#) [293300-7](#) [2106117-2](#) [293660-5](#) [293700-2](#) [CNX_H03_NTP](#) [30-9767-BU](#) [3-21030-1](#) [ZCH-110-RGB-I](#) [503471-0290](#) [ES5P09K4F2](#)
[CNXH02NTP](#) [ZCH-110-RGB-J](#) [217-0716-200](#) [192992-0057](#) [1954563-1](#) [217-3030-000](#) [217-3032-000](#) [237-0734-003](#) [DTS24W25-20PN-LC](#)
[1-2213614-2](#) [2834049-3](#) [ES9S002SZZ](#) [2834049-2](#) [2-2834067-3](#) [1-293657-2](#) [2834049-1](#) [293699-2](#) [293701-3](#) [1-2213614-3](#) [2834036-1](#)
[2834037-1](#) [2213614-3](#) [2307526-2](#) [2-2106124-3](#) [2-2834068-3](#) [FLS2SC4001BP](#) [FLSC80352000](#) [FLSC80354000](#) [FLSC80353000](#) [FLSSB8002](#)
[FLSSB8001](#) [FLSC80351000](#) [FLSC80355000](#) [FLSSB4001](#) [FLSC80504000](#) [FLSC80502000](#) [FLSC80501000](#) [FLSSR4001](#) [X3700WM-02HF-](#)
[LPSN](#)