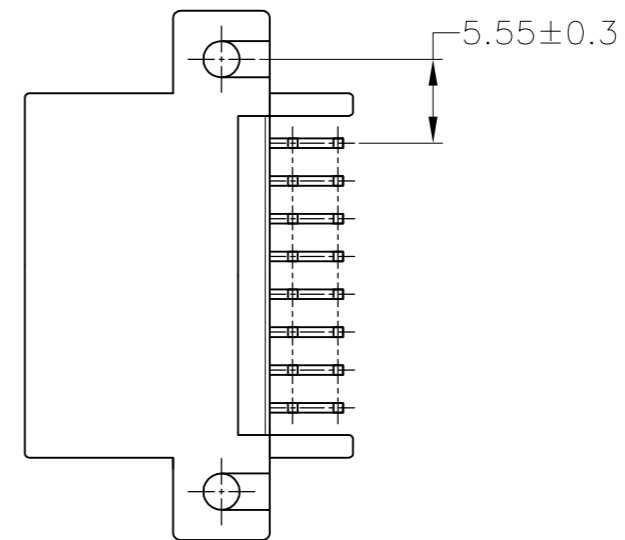
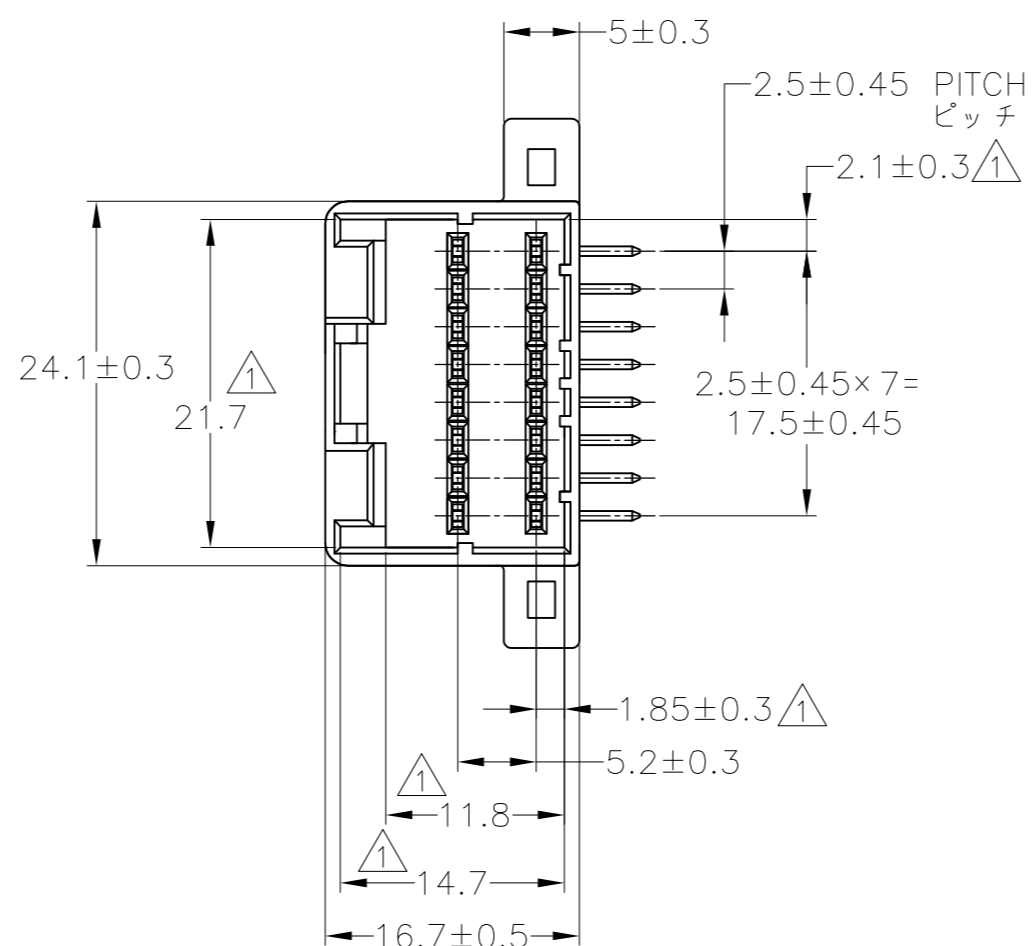
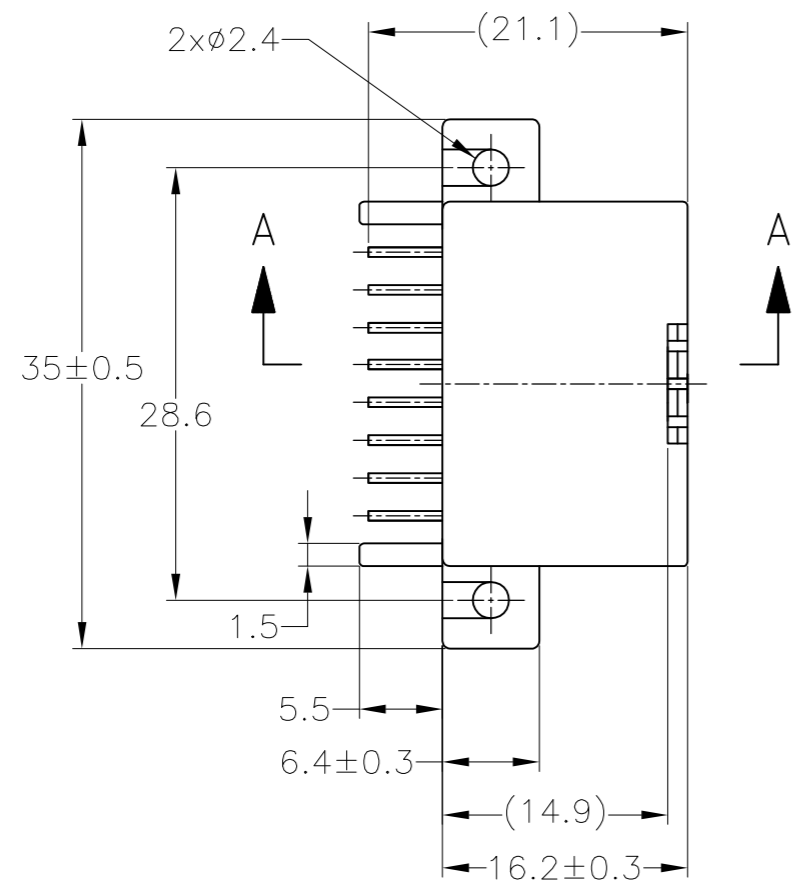


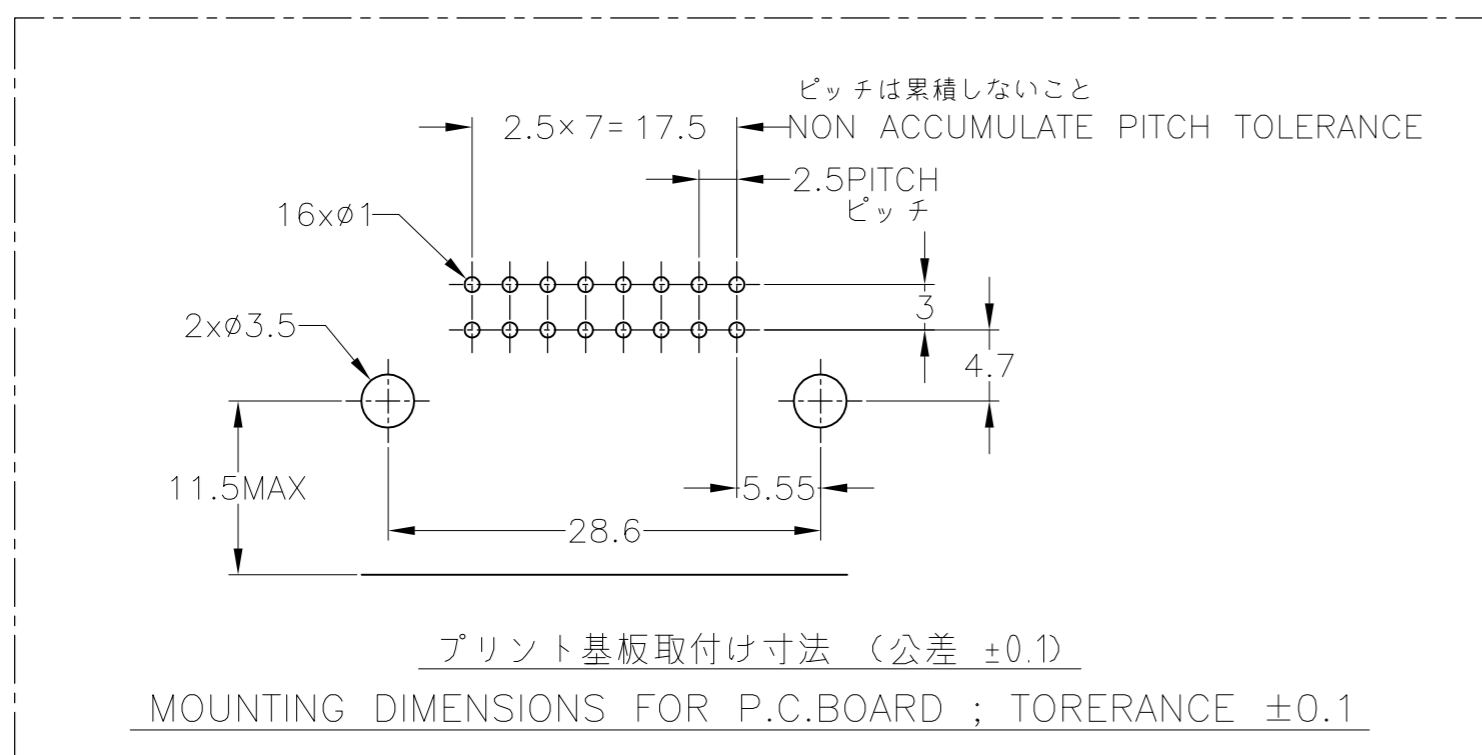
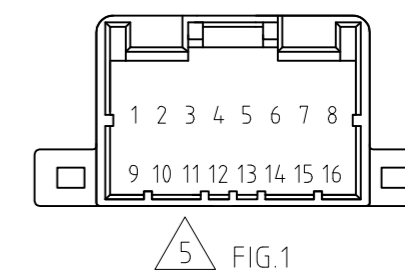
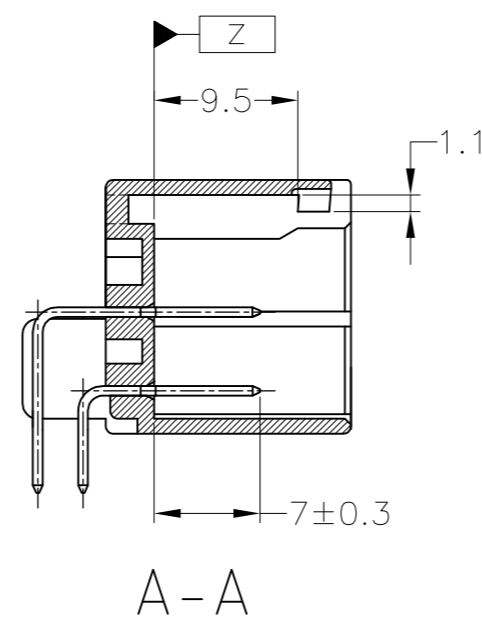
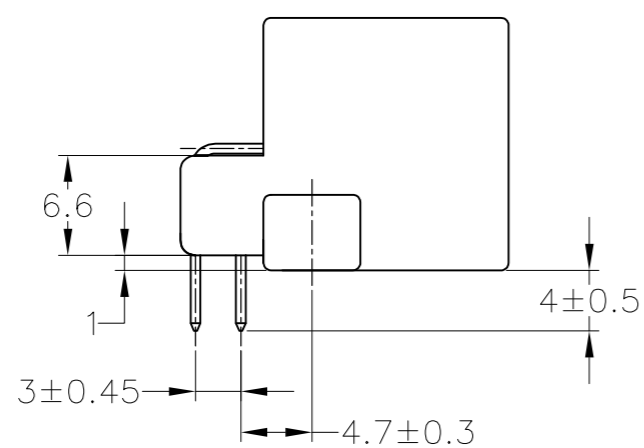
THIS DRAWING IS UNPUBLISHED. RELEASED FOR PUBLICATION  
 © COPYRIGHT 2016 By Tyco Electronics Japan G.K. ALL RIGHTS RESERVED.

REVISIONS					
P	LTR	DESCRIPTION	DATE	DWN	APVD
H5	REVISED	ECR-17-002468	06MAR2017	TS	KB



- △ Z面より2mmの範囲で測定。
- 2. 適用プリント基板厚: 1.6mm
- 3. 嵌合相手ハウジング型番: 174046
- 4. 推奨取付けねじ: JIS B1115, B1122 タッピンねじ, なべ2種 呼び径3, 長さ7mm以上 (締付けトルク: 0.4N-m以下)
- △ 回路番号: FIG.1 参照
- 6. 製品規格番号: 108-5244, 取扱説明書: 411-5883

- △ TO BE MEASURED WITHIN 2mm FROM Z
- 2. APPLICABLE P.C.BOARD THICKNESS: 1.6mm
- 3. THE MATING PLUG HOUSING PART NUMBER: 174046
- 4. RECOMMENDED MOUNTING SCREW: 3mm DIA, 7mm LENGTH (MIN.) PAN HEAD, CLASS 2 TAPPING SCREW SPECIFIED IN JIS B1115, B1122 (TIGHTENING TORQUE: 0.4N-m MAX.)
- △ CIRCUIT NUMBER: SEE FIG.1
- 6. PRODUCT SPECIFICATION: 108-5244 INSTRUCTION SHEET: 411-5883



TOLERANCE UNLESS OTHERWISE SPECIFIED:  
 一般公差

0 < x ≤ 10	: ±0.2
10 < x ≤ 30	: ±0.25
30 < x ≤ 100	: ±0.3
ANGLE	: ±3°

THIS DRAWING IS A CONTROLLED DOCUMENT.

DIMENSIONS: mm	TOLERANCES UNLESS OTHERWISE SPECIFIED:
0 PLC ±	1 PLC ± -
2 PLC ± -	3 PLC ± -
4 PLC ± -	ANGLES ± -
MATERIAL: HOUSING: PBT CONTACT: BRASS	FINISH: SEE TABLE

SELECTIVE TIN (MATTE)	SELECTIVE GOLD x 16	1~16	BLACK 黒色	1-5174053-2
TIN-LEAD	SELECTIVE GOLD x 2	5,6	BLACK 黒色	3-174053-2
PRE-TIN x 14				
SEE DWG 2-174053-2				2-174053-2
OBSOLETE	TIN-LEAD	SELECTIVE GOLD x 16	1~16	BLACK 黒色
	PRE-TIN x 16			BLUE 青色
	PRE-TIN x 16			GREEN 緑色
	PRE-TIN x 16			BLACK 黒色
SOLDERING SIDE 半田付け面	CONTACT SIDE 接触部側	△ GOLD PLATED CIRCUIT NO. 金めっき回路番号		COLOR 色
CONTACT FINISH コンタクト仕上		PART NUMBER 製品型番		
DWN T.SHINOHARA 06JAN09		TE Connectivity		
CHK K.BETSUI 06JAN09		040 SERIES MULTI-LOCK I/O CONNECTOR 16POSITION CAP HOUSING ASSEMBLY		
APVD K.BETSUI 06JAN09		NAME		
PRODUCT SPEC		SEE NOTE 6		
APPLICATION SPEC		SIZE CAGE CODE DRAWING NO RESTRICTED TO		
WEIGHT 8.4 g		A2 00779 C=174053		
CUSTOMER DRAWING		SCALE 2:1 SHEET 1 OF 1 REV H5		

## X-ON Electronics

Largest Supplier of Electrical and Electronic Components

*Click to view similar products for [Automotive Connectors](#) category:*

*Click to view products by [TE Connectivity](#) manufacturer:*

Other Similar products are found below :

[003-018-000](#) [60403001](#) [60993906-B](#) [M902-2131](#) [M902-2161](#) [72.330.1035.1](#) [73.353.4028.0](#) [F119300-B](#) [F166900](#) [F258300-B](#) [F358300-B](#)  
[F407400](#) [F444110](#) [F487000](#) [F509500B-B](#) [827153-1](#) [8N1515-32-24P](#) [9-1326729-8](#) [925474-1](#) [928905-1](#) [964562-4](#) [968782-1](#) [GT17SA-8DS-](#)  
[HU](#) [98891-1012](#) [98947-1016](#) [12004147](#) [12004475-L](#) [12010290](#) [12010309-B](#) [12015454](#) [12020219-B](#) [12020308](#) [12041318-B](#) [12052225-L](#)  
[12052466](#) [12059125](#) [12064869](#) [12004327-B](#) [12010503-B](#) [12015308](#) [12015384](#) [12015909](#) [1-21030-1](#) [12041254](#) [12041318](#) [12047946-B](#)  
[12047957](#) [12047957-L](#) [12059473](#) [12066261](#)