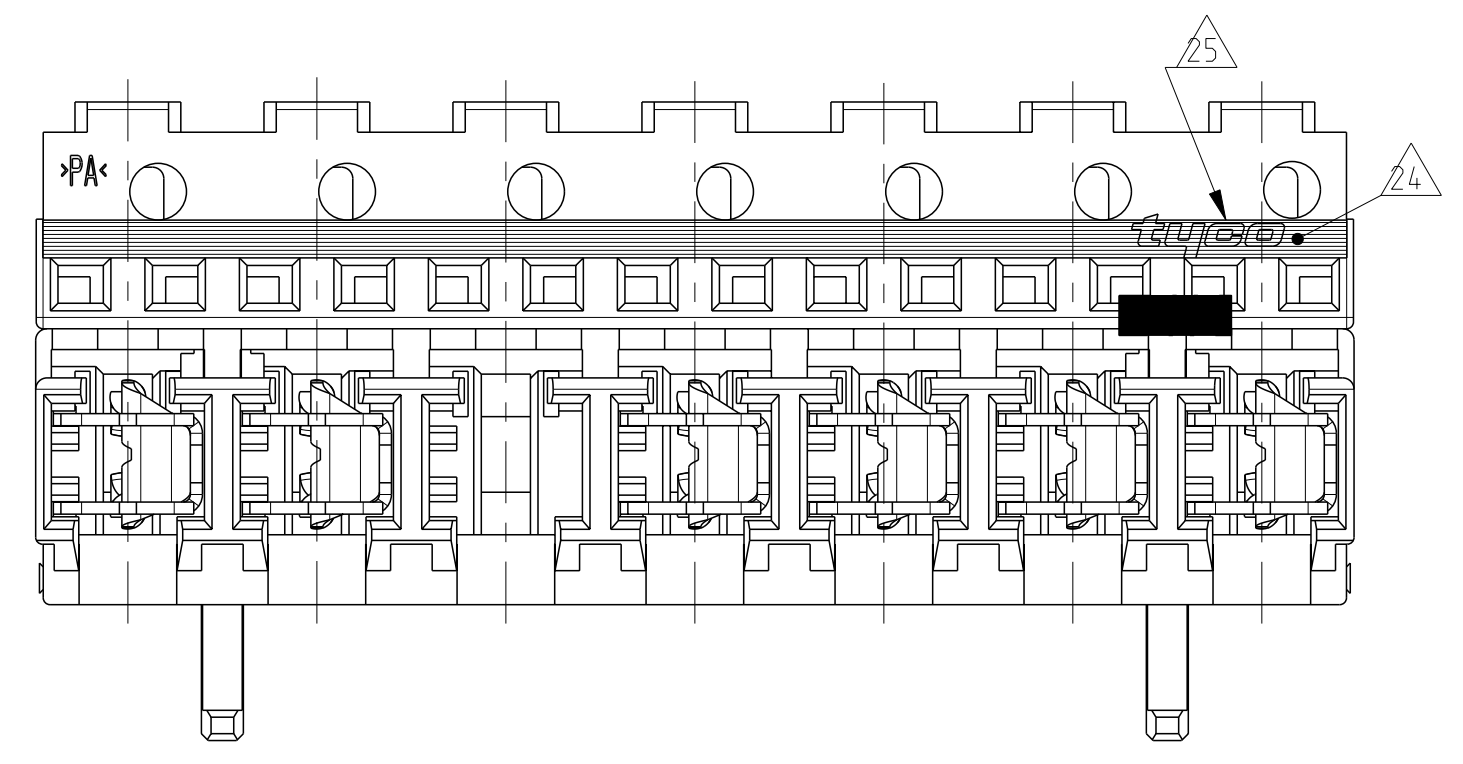
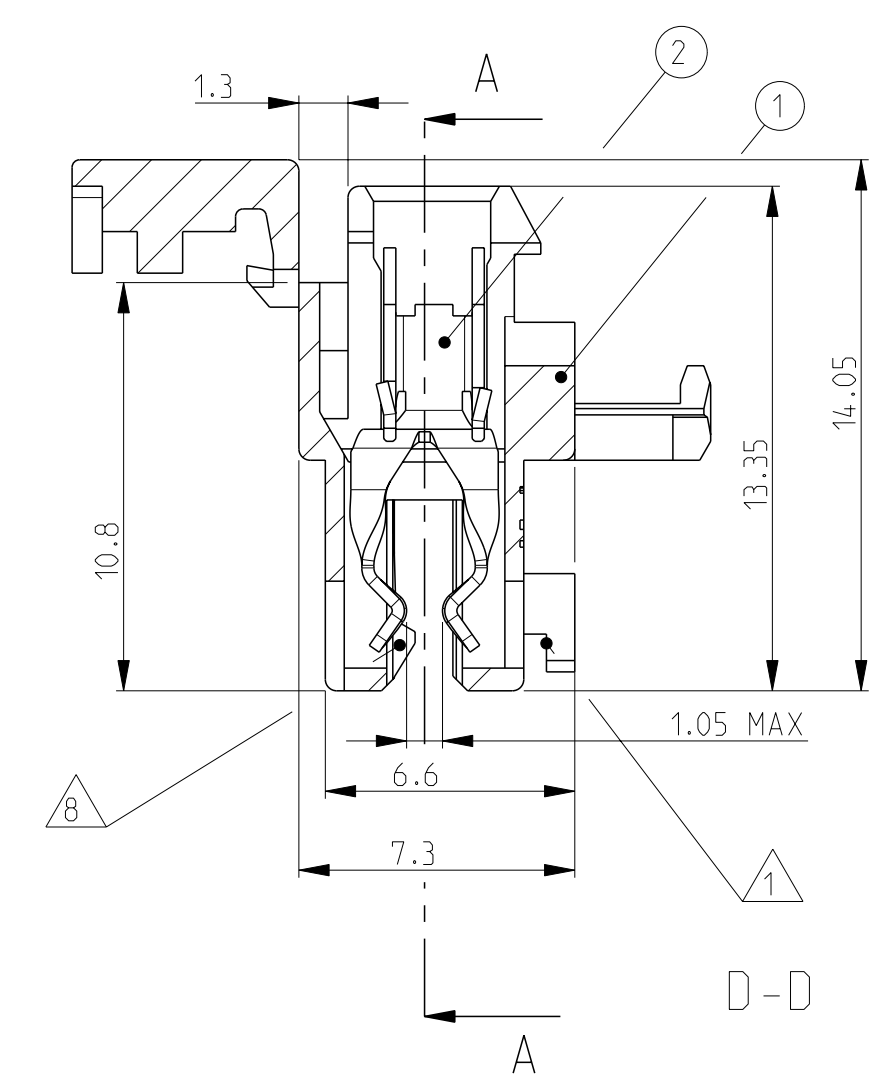
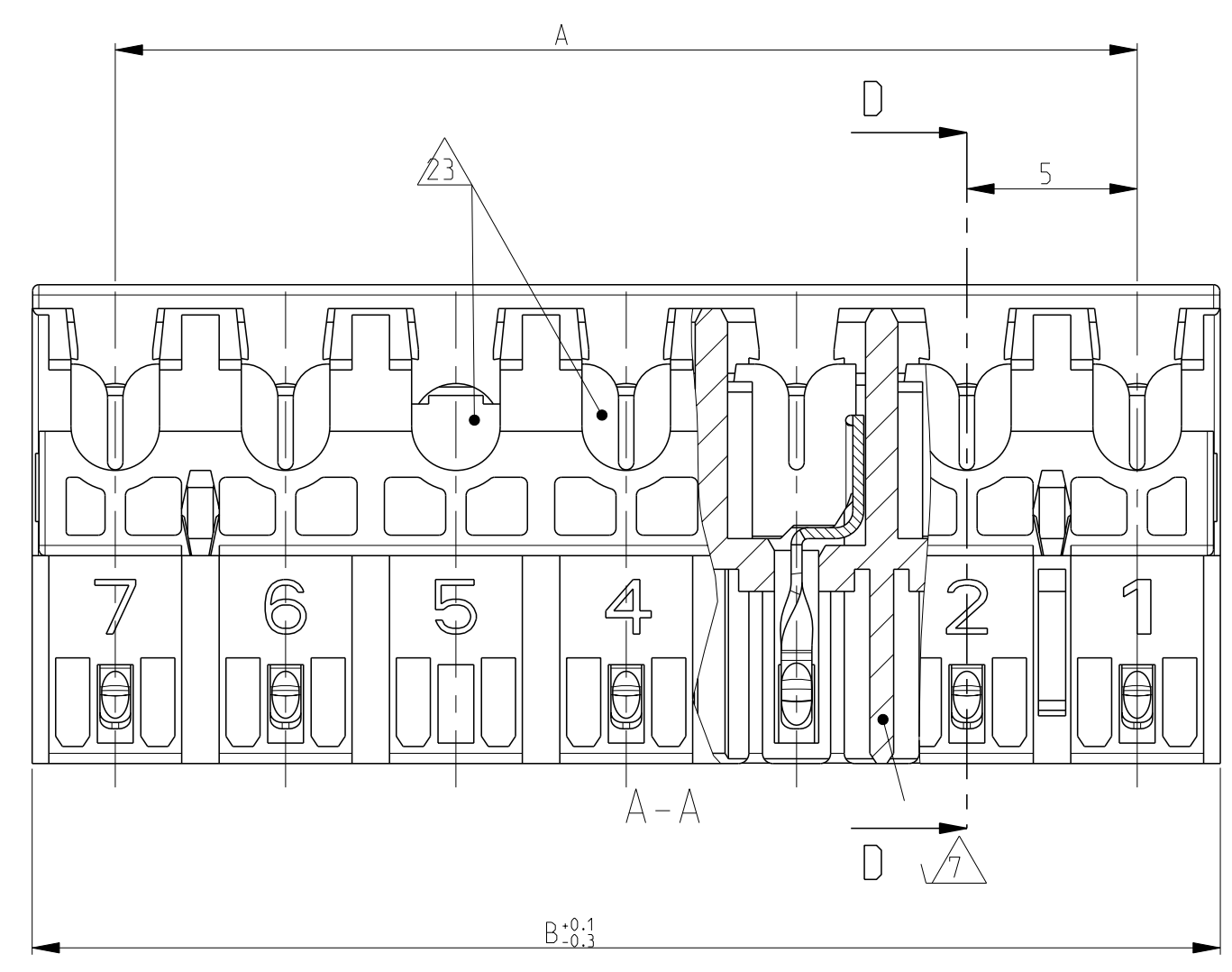
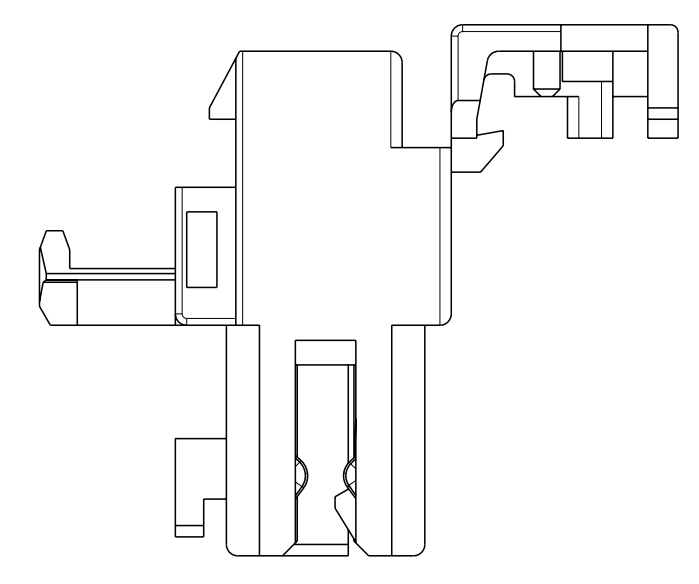
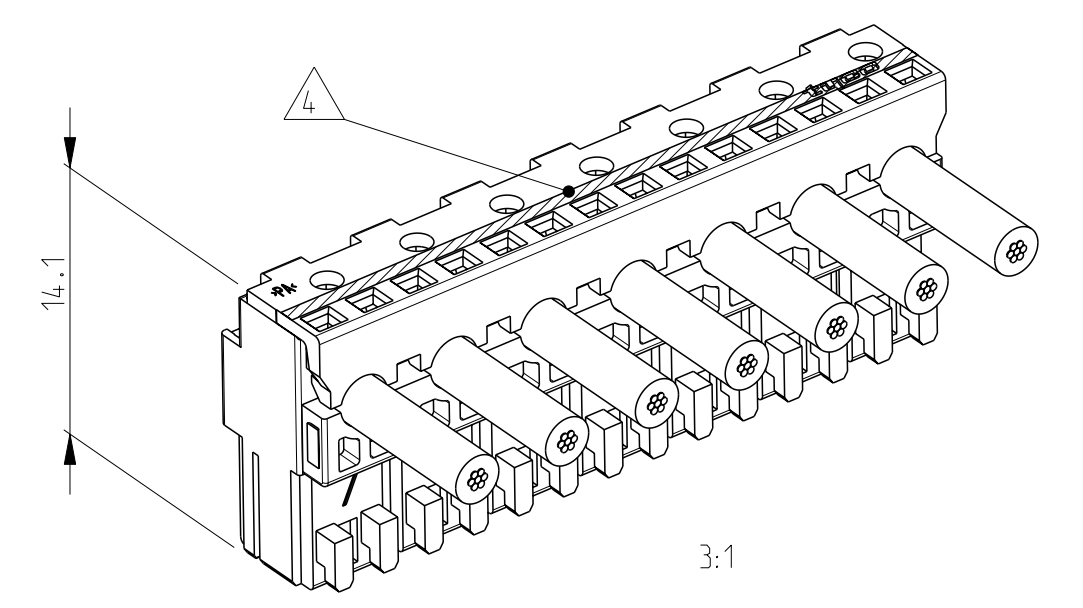


LOC	DIST	REVISIONS			
A1	-	REV	DATE	OWN	APVD
		B24	ECR-20-100619	05NOV2020	W W FL



- 27 SLOT FOR SIDE KEYING NARROW ON LAST CAVITY
- 26 PRELIMINARY PART NOT RELEASED FOR PRODUCTION
- 25 TE LOGO
- 24 COLOUR MARKING IN THIS AREA. COLOUR SEE TABLE.
Farbmarkierung in diesem Bereich. Farbe siehe Tabelle.
- 23 X...CAVITY LOADED WITH CONTACT
O...CAVITY WITHOUT CONTACT
X...Kammer mit Kontakt bestückt
O...Kammer ohne Kontakt
- 22 INCLUSIVE COPPER CLADDING. SINGLE OR DOUBLE SIDED
Inklusive Kupferkaschierung, ein oder doppelseitig
- 21 PCB PREFERABLY CHAMFERED
Leiterplatte vorzugsweise angefast
- 20 SLOT FOR ADDITIONAL KEYING RIB BETWEEN CAVITY NO.
Schlitz fuer zusätzliche Kodierrippe zwischen Kammer Nr.
- 19 SLOT FOR SIDE KEYING NARROW AND REDUCED. ON CAVITY NO.1
Schlitz fuer Seitenkodierung, eng und reduziert, bei Kammer Nr. 1
- 18 SLOT FOR SIDE KEYING. ON LAST CAVITY
Schlitz fuer Seitenkodierung, bei letzter Kammer
- 17 SLOT FOR SIDE KEYING. ON CAVITY NO. 1
Schlitz fuer Seitenkodierung, bei Kammer Nr. 1
- 16 IEC 60695-2-11 / IEC 60335-1 GLOW WIRE TEST 750 °C WITHOUT FLAME
IEC 60695-2-11 / IEC 60335-1 Gluehdrahttest 750 °C ohne Flamme
- 15 -
- 14 SIDE KEYING, SMALL AND HALF, ON LAST CAVITY
Seitenkodierung, schmal und halb, bei letzter Kammer
- 13 SIDE KEYING, SMALL AND HALF, ON CAVITY NO. 1
Seitenkodierung, schmal und halb, bei Kammer Nr. 1
- 12 -
- 11 -
- 10 SIDE KEYING, SMALL, ON LAST CAVITY
- 9 -
- 8 LOCKING HOOK BETWEEN CAVITY NO. ...
Rasthaken zwischen Kammernummer ...
- 7 ADDITIONAL KEYING RIB BETWEEN CAVITY NO.
Zusätzliche Kodierrippe zwischen Kammer Nr.
- 6 SIDE KEYING, ON LAST CAVITY
Seitenkodierung, bei letzter Kammer
- 5 SIDE KEYING, ON CAVITY NO. 1
Seitenkodierung, bei Kammer Nr. 1
- 4 COLOUR MARKING ON TOP OF HOUSING OPTIONAL ON TERMINATION MACHINE
Farbmarkierung auf Gehäuseoberseite optional an Verarbeitungsmaschine
- 3 MATING PART: PCB ACCORDING SHEET 2 OF 2
Passender Gegenstecker: Leiterplatten siehe Blatt 2 von 2
- 2 WIRE RANGE: 0.35-0.75 mm² ACCORDING TO APPLICATION SPEC 114-18996
Drahtgroessenbereich: 0.35 - 0.75 mm²; siehe Verarbeitungsspezifikation Nr.114-18996.
- 1 KEYING RIBS: CUTTING WITH TERMINATION MACHINE POSSIBLE
Kodierrippe; Schneiden auf der Verarbeitungsmaschine moeglich

POS.	PN Betell-Nr.	DESCRIPTION Beschreibung	MATERIAL	COLOUR/FINISH Farbe/Oberflaeche
2	SEE TABLE siehe Tabelle	CONTACT	CuNiSi	TINNED/verzinkt
1	SEE TABLE siehe Tabelle	HOUSING	PA6 GF Δ 6	NATURE/natur

THIS DRAWING IS A CONTROLLED DOCUMENT.

DIMENSIONS: mm	TOLERANCES UNLESS OTHERWISE SPECIFIED: 0 PLC ± 0.2 1 PLC ± 0.2 2 PLC ± 0.2 3 PLC \pm 4 PLC \pm ANGLES \pm FINISH \pm	OWN H. Atzmann CHK B. Schnaubelt APVD T. Klenner	01NOV2005 01NOV2005 01NOV2005	NAME AMP DUOPLUG POWER FEMALE CONNECTOR 2-9 POSITION (WITH PCB LOCKING)
MATERIAL SEE TABLE	FINISH SEE TABLE	WEIGHT -	SIZE 114-18996	RESTRICTED TO

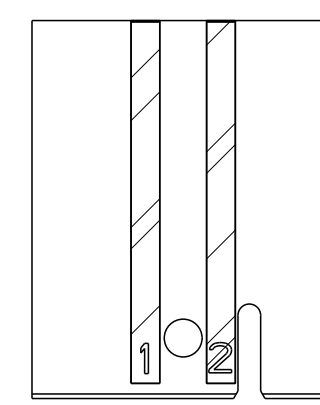
CUSTOMER DRAWING

SCALE 5:1 SHEET 1 OF 4 REV B24

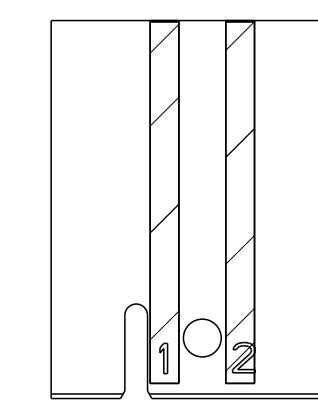
PCB LAYOUT Leiterplattenanschluss

REVISONS		DATE	OWN	APVD
P	LYR			
-			-	-
SEE SHEET 1				

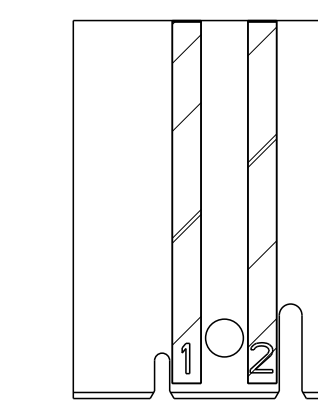
2 POSITION
2 polig



LAYOUT FOR CONNECTOR NO.
0-1740533-2

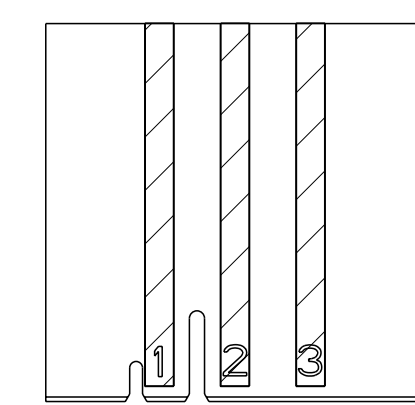


LAYOUT FOR CONNECTOR NO.
1-1740533-2

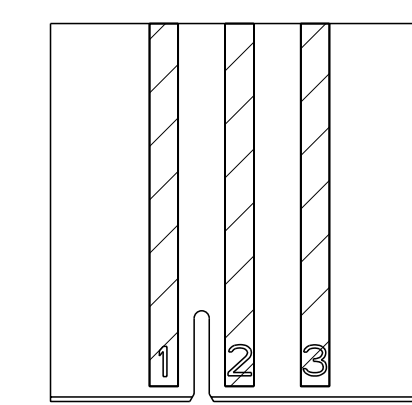


LAYOUT FOR CONNECTOR NO.
2-1740533-2

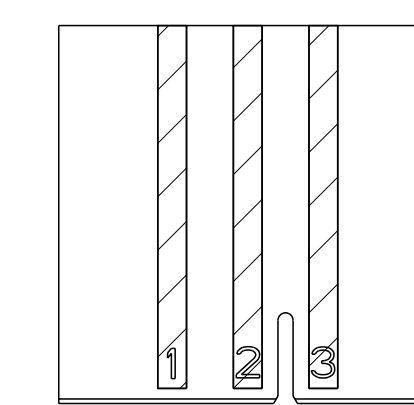
3 POSITION
3 polig



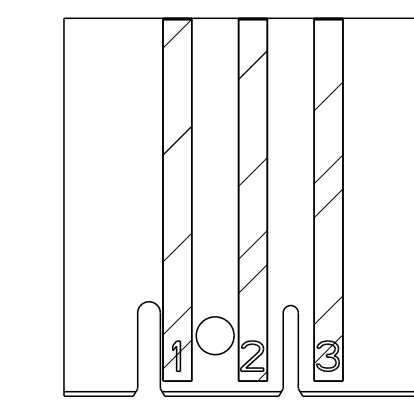
LAYOUT FOR CONNECTOR NO.
9-1740533-3



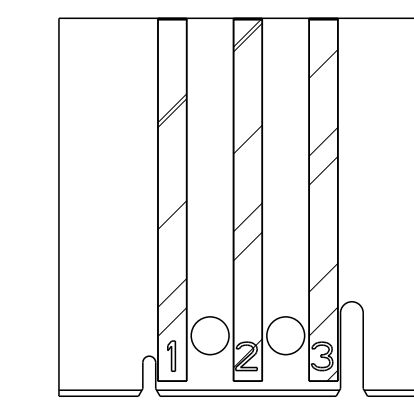
LAYOUT FOR CONNECTOR NO.
7-1740533-3



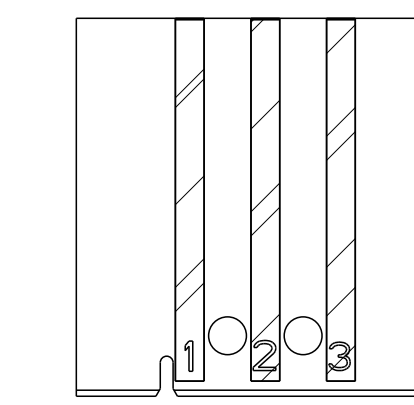
LAYOUT FOR CONNECTOR NO.
6-1740533-3



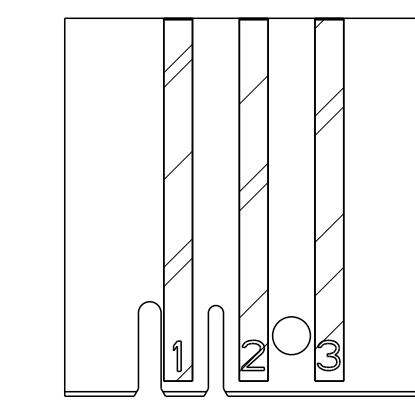
LAYOUT FOR CONNECTOR NO.
0-1740533-3



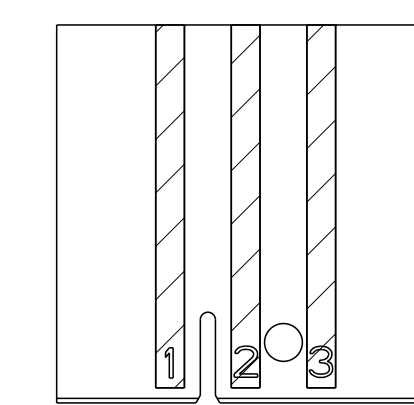
LAYOUT FOR CONNECTOR NO.
1-1740533-3
8-1740533-3



LAYOUT FOR CONNECTOR NO.
2-1740533-3

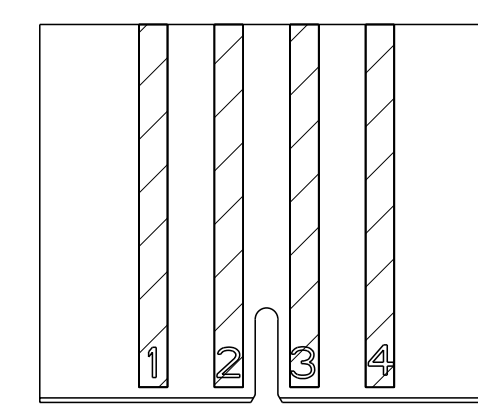


LAYOUT FOR CONNECTOR NO.
3-1740533-3 (WITHOUT PAD 3)
4-1740533-3 (WITHOUT PAD 1)

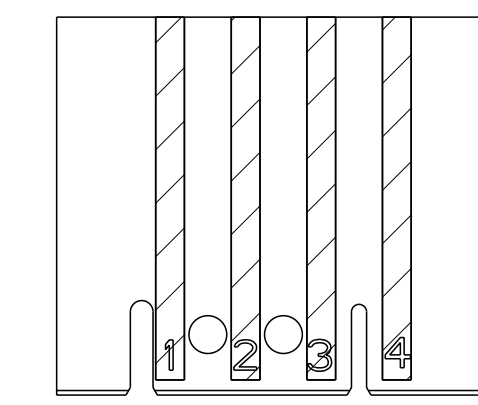


LAYOUT FOR CONNECTOR NO.
5-1740533-3

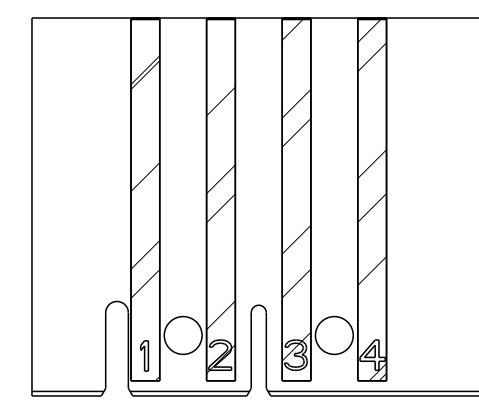
4 POSITION
4 polig



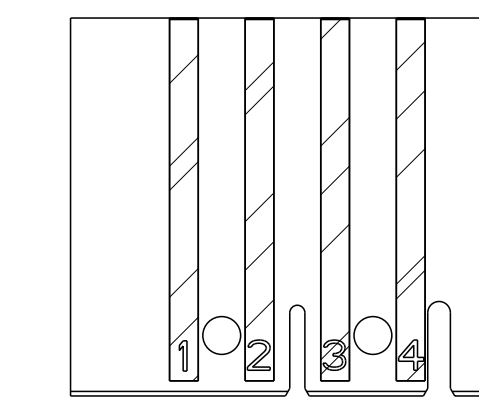
LAYOUT FOR CONNECTOR NO.
5-1740533-4



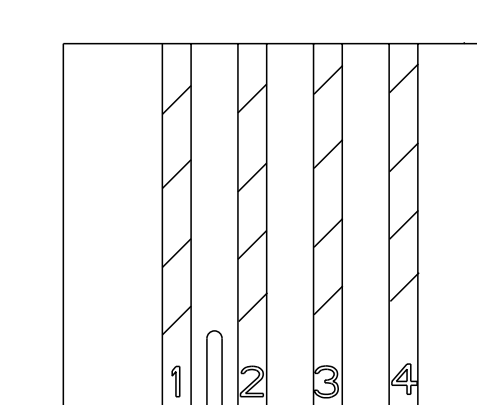
LAYOUT FOR CONNECTOR NO.
3-1740533-4



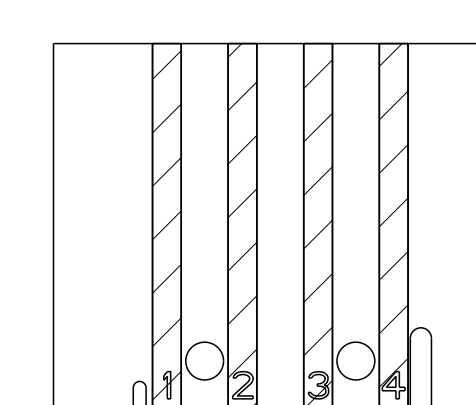
LAYOUT FOR CONNECTOR NO.
0-1740533-4 (WITHOUT PAD 2)
2-1740533-4



LAYOUT FOR CONNECTOR NO.
1-1740533-4

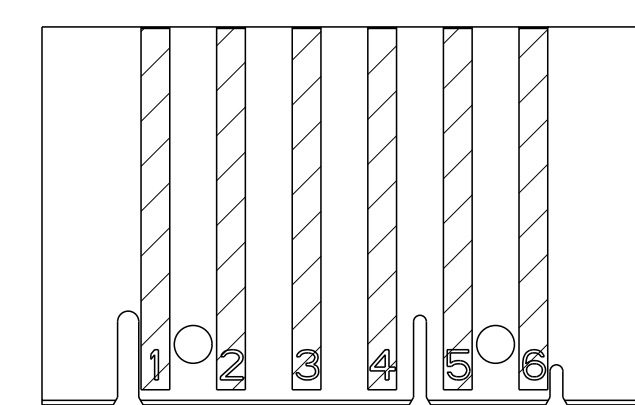


LAYOUT FOR CONNECTOR NO.
4-1740533-4

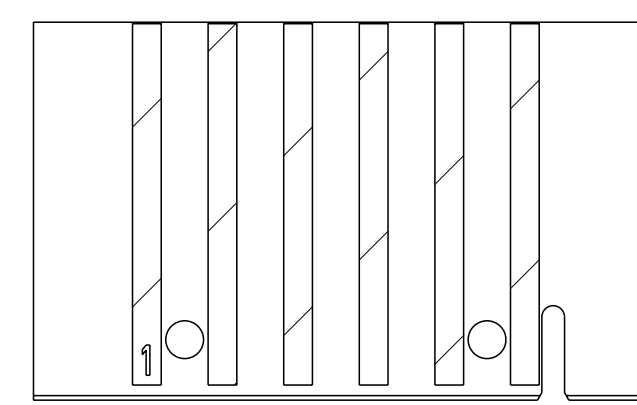


LAYOUT FOR CONNECTOR NO.
6-1740533-4

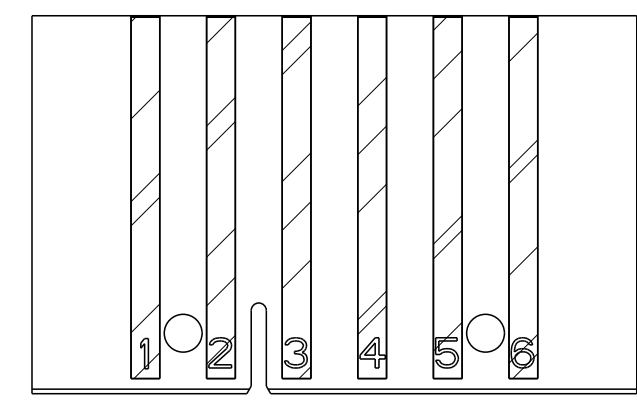
6 POSITION
6 polig



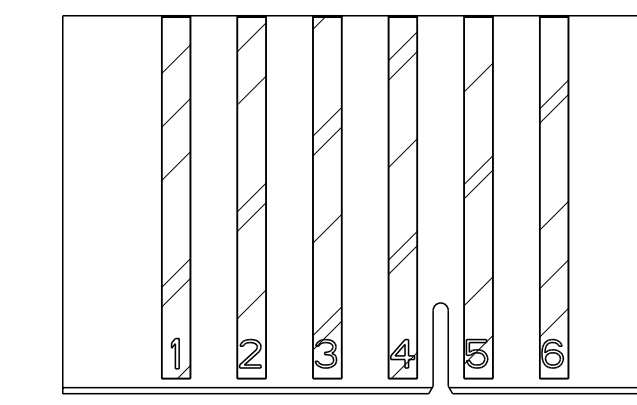
LAYOUT FOR CONNECTOR NO.
7-1740533-6



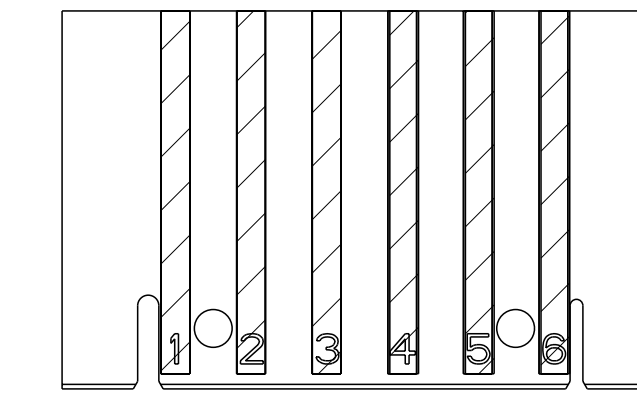
LAYOUT FOR CONNECTOR NO.
5-1740533-6



LAYOUT FOR CONNECTOR NO.
0-1740533-6 (WITHOUT PAD 2/5/6)
1-1740533-6
3-1740533-6 (WITHOUT PAD 2)

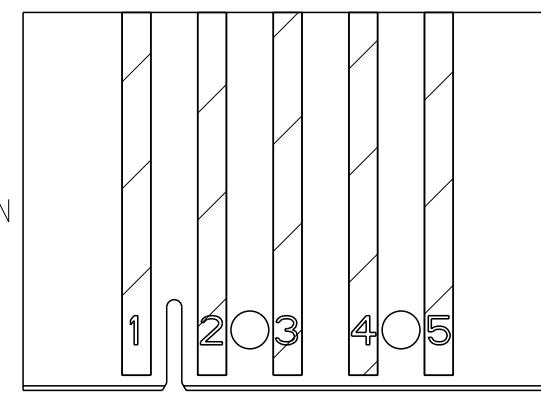


LAYOUT FOR CONNECTOR NO.
2-1740533-6



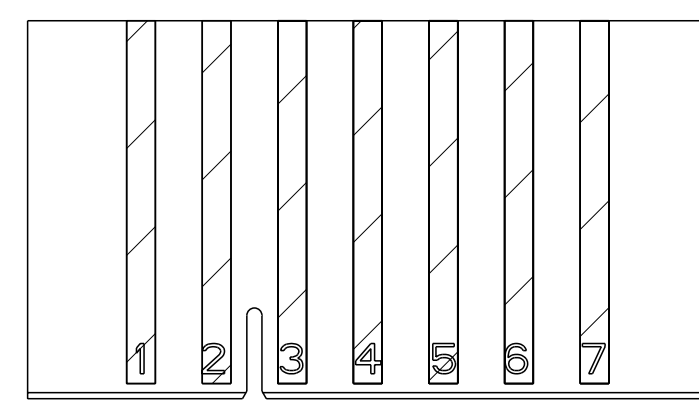
LAYOUT FOR CONNECTOR NO.
4-1740533-6

5 POSITION
5 polig

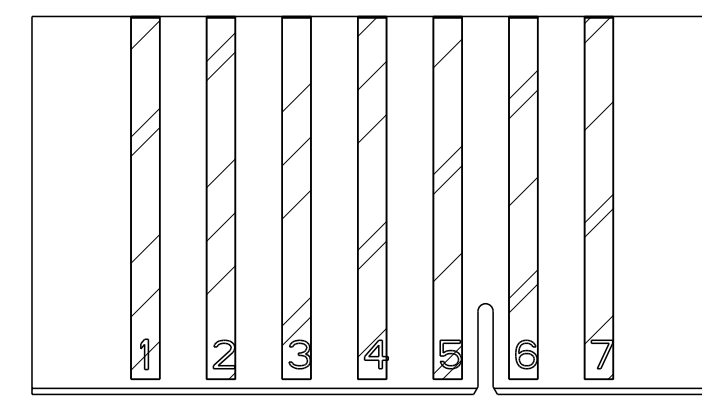


LAYOUT FOR CONNECTOR NO.
0-1740533-5

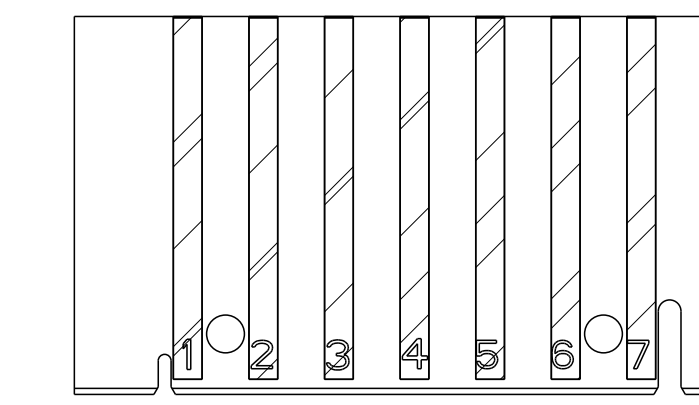
7 POSITION
7 polig



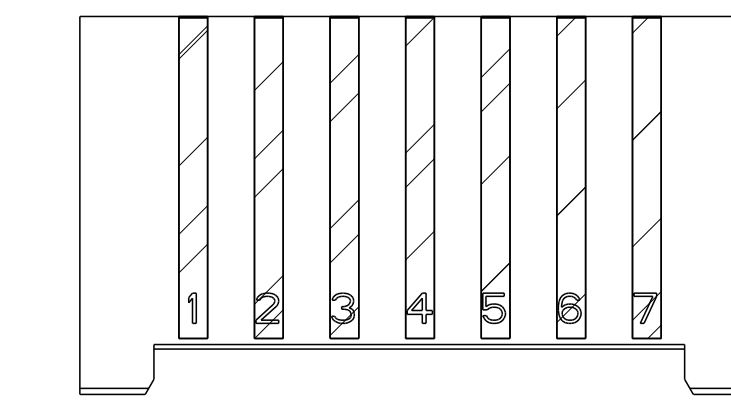
LAYOUT FOR CONNECTOR NO.
4-1740533-7



LAYOUT FOR CONNECTOR NO.
0-1740533-7

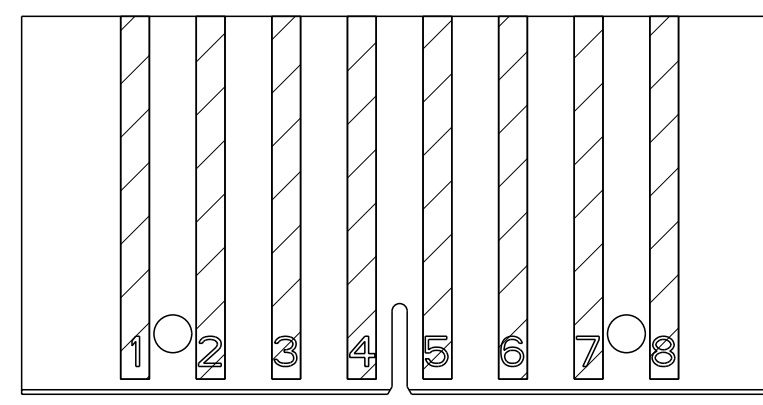


LAYOUT FOR CONNECTOR NO.
1-1740533-7

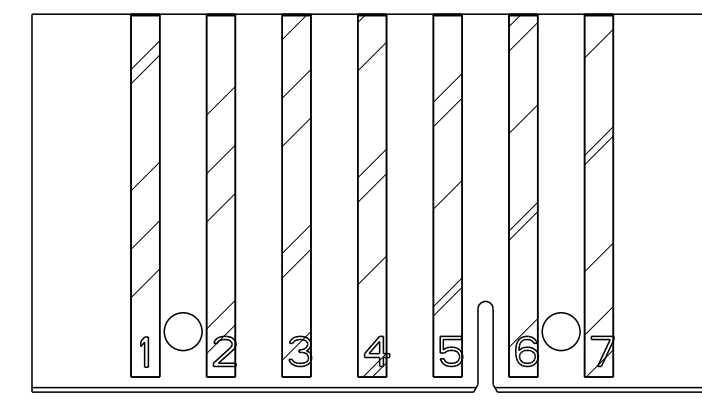


LAYOUT FOR CONNECTOR NO.
2-1740533-7

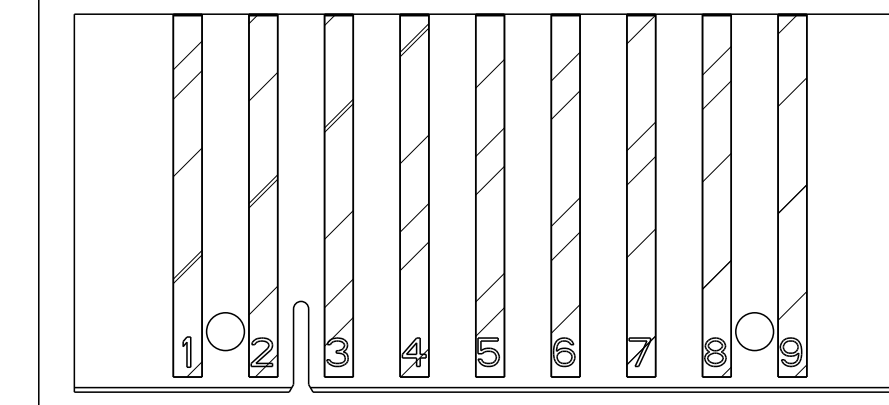
8 POSITION



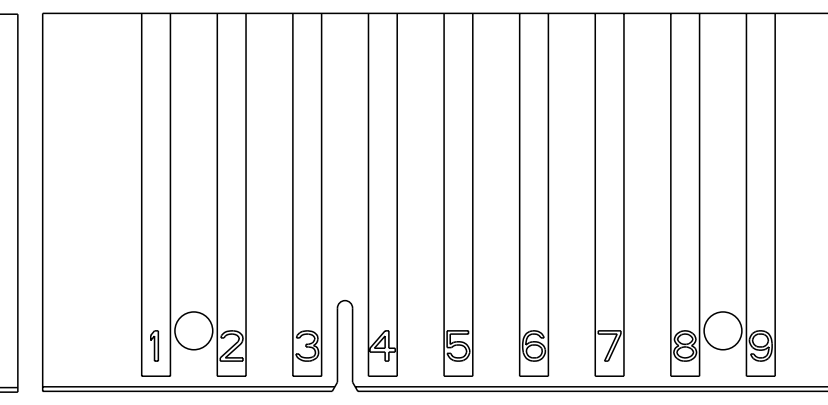
LAYOUT FOR CONNECTOR NO.
0-1740533-8



LAYOUT FOR CONNECTOR NO.
3-1740533-7



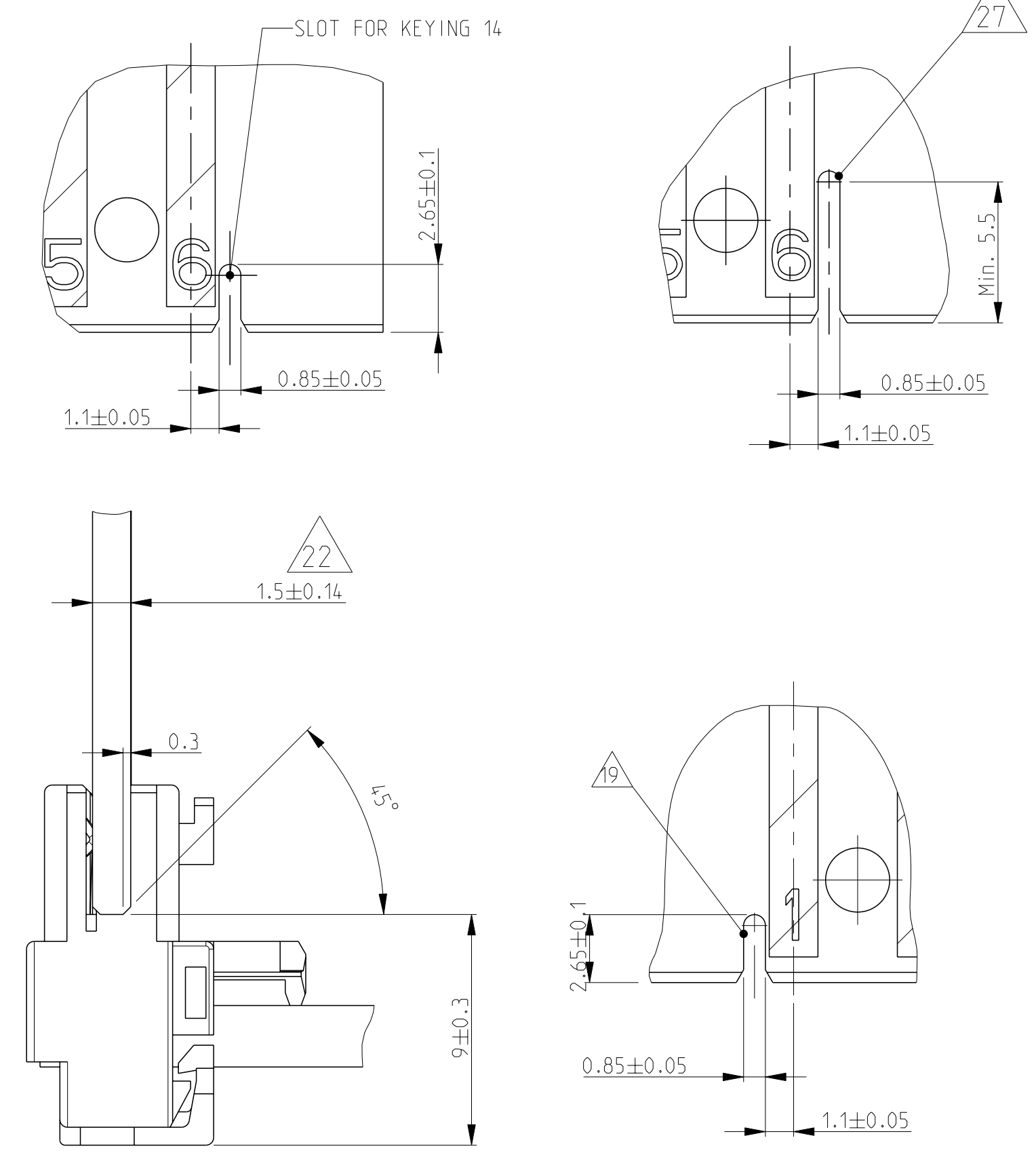
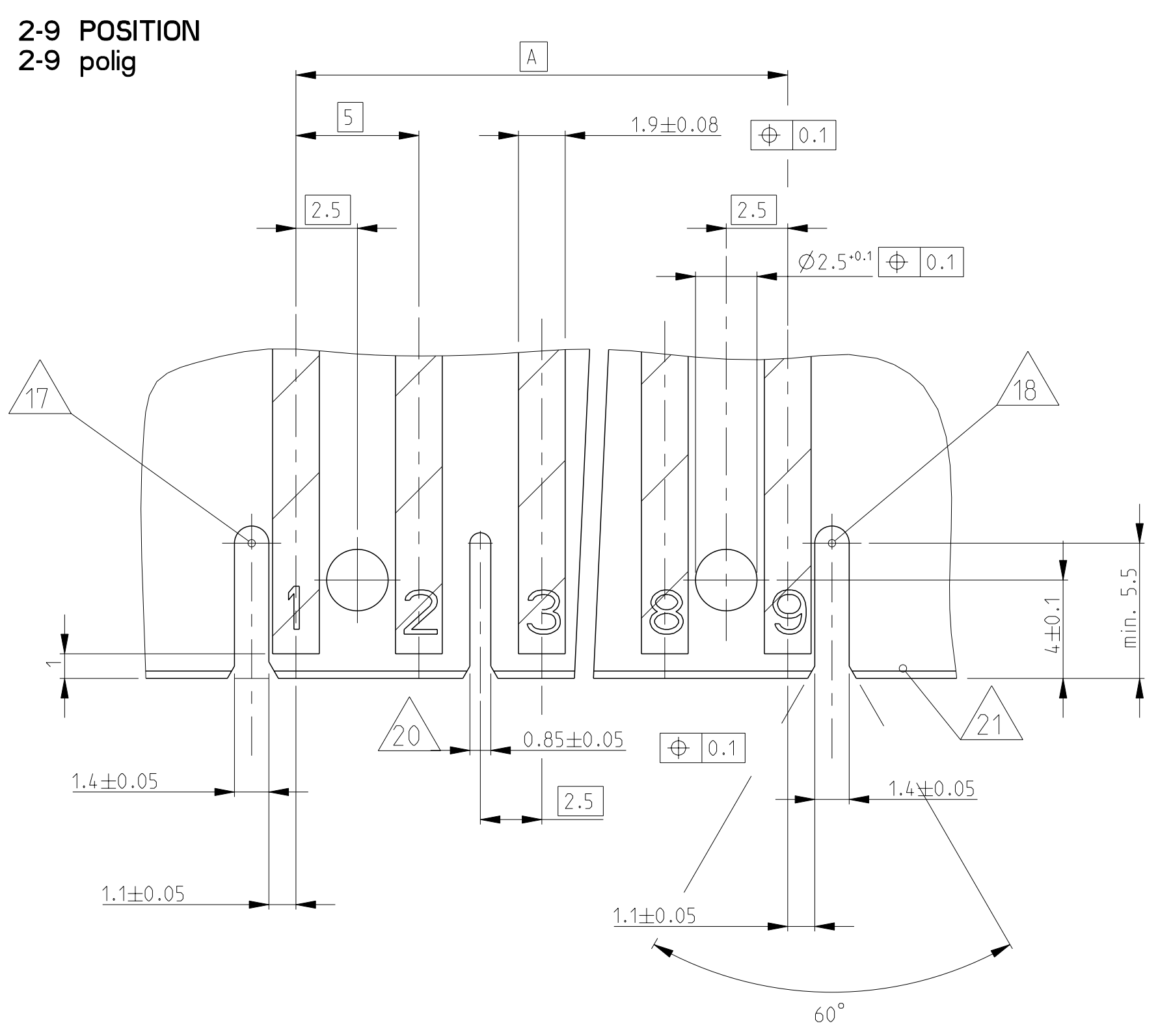
LAYOUT FOR CONNECTOR NO.
0-1740533-9
1-1740533-9 (WITHOUT PAD 9)



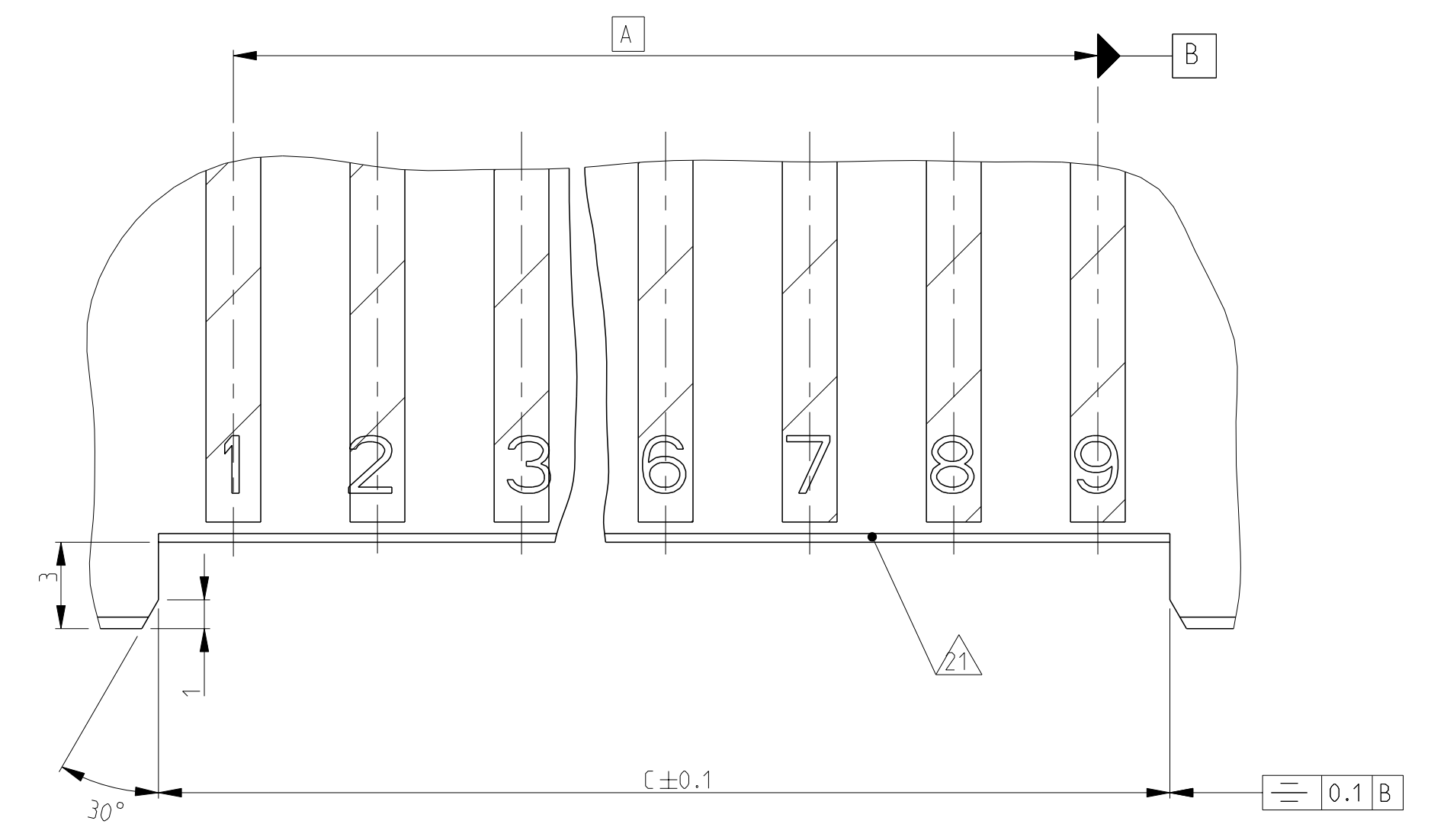
LAYOUT FOR CONNECTOR NO.
2-1740533-9

THIS DRAWING IS A CONTROLLED DOCUMENT.		OWN H. Atzmann CHK B. Schnaubelt APVD T. Klenner	01NOV2005 01NOV2005 01NOV2005	TE Connectivity NAME AMP DUOPLUG POWER FEMALE CONNECTOR 2-9 POSITION (WITH PCB LOCKING)
DIMENSIONS: mm	TOLERANCES UNLESS OTHERWISE SPECIFIED:	PRODUCT SPEC 108-18780 APPLICATION SPEC 114-18996	SIZE CAGE CODE DRAWING NO. RESTRICTED TO	
	0 PLC ±0.2 1 PLC ±0.2 2 PLC ±0.2 3 PLC ±0.2 4 PLC ± ANGLES ±°	WEIGHT -	SCALE 5:1	SHEET 2 OF 4
MATERIAL SEE TABLE	FINISH SEE TABLE	CUSTOMER DRAWING	00779 ©=1740533	REV B24

PCB LAYOUT IN GENERAL
Leiterplattenanschluss allgemein



**PCB LAYOUT FOR VERSIONS WITHOUT KEYING RIBS/
 LOCKING HOOKS (E. G. PN 2-1740533-7)**
**Leiterplattenanschluss fuer Version ohne Kodierrippen/
 Rasthaken (z. B. Nr. 2-1740533-7)**



LOC	DIST	REVISIONS			
		REV	DATE	OWN	APVD
A1	-	-	-	-	-
		SEE SHEET 1			

THIS DRAWING IS A CONTROLLED DOCUMENT.		OWN: SUDHAKAR	Z80CT2013	STE TE Connectivity
DIMENSIONS: mm		CHK: SUDHAKAR	Z80CT2013	
TOLERANCES UNLESS OTHERWISE SPECIFIED:		APVD: RAJENDRA	Z80CT2013	NAME: AMP DUOPLUG POWER FEMALE CONNECTOR 2-9 POSITION (WITH PEB LOCKING)
0 PLC ±0.2		PRODUCT SPEC	108-18750	
1 PLC ±0.2		APPLICATION SPEC	114-18996	SIZE: A1
2 PLC ±0.2		WEIGHT: -	114-18996	CAGE CODE: 00779
3 PLC ±		FINISH: -	114-18996	DRAWING NO: C=1740533
4 PLC ±		RESTRICTED TO:	114-18996	SCALE: 5:1
ANGLES ±				SHEET 3 OF 4
FINISH ±				REV B24
MATERIAL: SEE TABLE		CUSTOMER DRAWING		

LOC	DIST	REVISIONS			
		REV	DATE	BY	APPV
A1	-	1			

COLOUR / Farbe	8	7	6	5	4	3	2	1	POS. Polzahl	DIM A	DIM B	DIM C	KEYING	KEYING	KEYING	KEYING	KEYING	KEYING	LOCKING HOOK	PN Bestell-Nr.
-	X	X	X	X	X	X	X	X	7	30	34.9	-	-	-	-	-	-	-	2/3	4-1740533-7
-	X	X	X	X	X	X	X	X	7	30	34.9	-	-	-	-	-	-	-	5/6	3-1740533-7
-	X	X	X	X	X	X	X	X	7	30	34.9	35.1	-	-	-	-	-	-	-	2-1740533-7
-	X	X	X	X	X	X	X	X	7	30	34.9	-	X	-	-	-	-	-	1/2 + 6/7	1-1740533-7
-	X	X	X	X	X	X	X	X	7	30	34.9	-	-	-	-	-	-	-	5/6	0-1740533-7
	X	X	X	X	X	X	X	X	6	25	29.9	-	X	-	-	-	-	-	4/5	7-1740533-6
	X	X	X	X	X	X	X	X	6	25	29.9	-	X	-	-	-	-	-	1/2 + 5/6	6-1740533-6
	X	X	X	X	X	X	X	X	6	25	29.9	-	-	-	-	-	-	-	1/2 + 5/6	5-1740533-6
	X	X	X	X	X	X	X	X	6	25	29.9	-	-	X	-	-	-	-	1/2 + 5/6	4-1740533-6
BLACK/schwarz	X	X	X	X	0	X	X	X	6	25	29.9	-	-	-	-	-	-	-	2/3	3-1740533-6
-	X	X	X	X	X	X	X	X	6	25	29.9	-	-	-	-	-	-	-	4/5	2-1740533-6
BLACK/schwarz	X	X	X	X	X	X	X	X	6	25	29.9	-	-	-	-	-	-	-	2/3	1-1740533-6
BLACK/schwarz	0	0	X	X	0	X	X	X	6	25	29.9	-	-	-	-	-	-	-	2/3	0-1740533-6
	X	X	X	X	X	X	X	X	5	20	24.95	-	X	-	-	-	-	-	4/5	3-1740533-5
	X	X	X	X	X	X	X	X	5	20	24.95	-	-	-	-	-	-	-	2/3	1-1740533-5
	X	X	X	X	X	X	X	X	5	20	24.95	-	-	-	-	-	-	-	1/2	0-1740533-5
	X	X	X	X	X	X	X	X	4	15	19.9	-	X	-	-	-	-	-	3/4	8-1740533-4
	X	X	X	X	X	X	X	X	4	15	19.9	-	-	-	-	-	-	-	1/2	7-1740533-4
	X	X	X	X	X	X	X	X	4	15	19.9	-	X	-	-	-	-	-	1/2 + 3/4	6-1740533-4
	X	X	X	X	X	X	X	X	4	15	19.9	-	-	-	-	-	-	-	2/3	5-1740533-4
	X	X	X	X	X	X	X	X	4	15	19.9	-	-	-	-	-	-	-	1/2	4-1740533-4
BROWN/braun	X	X	X	X	X	X	X	X	4	15	19.9	-	-	-	-	-	-	-	3/4	3-1740533-4
BROWN/Braun	X	X	X	X	X	X	X	X	4	15	19.9	-	-	-	-	-	-	-	2/3	2-1740533-4
BLUE/blau	X	X	X	X	X	X	X	X	4	15	19.9	-	-	-	-	-	-	-	2/3	1-1740533-4
BROWN/braun	X	X	0	X	X	X	X	X	4	15	19.9	-	-	-	-	-	-	-	2/3	0-1740533-4
	X	X	X	X	X	X	X	X	3	10	14.9	-	X	-	-	-	-	-	1/2	9-1740533-3
BLUE/blau	X	X	X	X	X	X	X	X	3	10	14.9	-	X	-	-	-	-	-	1/2 + 2/3	8-1740533-3
	X	X	X	X	X	X	X	X	3	10	14.9	-	-	-	-	-	-	-	1/2	7-1740533-3
	X	X	X	X	X	X	X	X	3	10	14.9	-	-	-	-	-	-	-	2/3	6-1740533-3
	X	X	X	X	X	X	X	X	3	10	14.9	-	-	-	-	-	-	-	1/2	5-1740533-3
BLACK/Schwarz	X	X	0	X	X	X	X	X	3	10	14.9	-	-	-	-	-	-	-	1/2	4-1740533-3
BLACK/schwarz	0	X	X	X	X	X	X	X	3	10	14.9	-	-	-	-	-	-	-	1/2	3-1740533-3
-	X	X	X	X	X	X	X	X	3	10	14.9	-	X	-	-	-	-	-	1/2 + 2/3	2-1740533-3
-	X	X	X	X	X	X	X	X	3	10	14.9	-	X	-	-	-	-	-	1/2 + 2/3	1-1740533-3
BLACK/schwarz	X	X	X	X	X	X	X	X	3	10	14.9	-	-	-	-	-	-	-	2/3	0-1740533-3
-	X	X	X	X	X	X	X	X	2	5	9.9	-	X	-	-	-	-	-	1/2	2-1740533-2
RED/rot	X	X	X	X	X	X	X	X	2	5	9.9	-	-	-	-	-	-	-	1/2	1-1740533-2
GREEN/gruen	X	X	X	X	X	X	X	X	2	5	9.9	-	-	-	-	-	-	-	1/2	0-1740533-2

COLOUR	8	7	6	5	4	3	2	1	POS	DIM A	DIM B	DIM C	KEYING	KEYING	KEYING	KEYING	KEYING	KEYING	LOCKING HOOK	PART NO
	X	X	X	X	X	X	X	X	9	40	44.9	-	-	-	-	-	-	-	3/4	2-1740533-9
GREEN	0	X	X	X	X	X	X	X	9	40	44.9	-	-	-	-	-	-	-	2/3	1-1740533-9
GREEN	X	X	X	X	X	X	X	X	9	40	44.9	-	-	-	-	-	-	-	2/3	0-1740533-9
	X	X	X	X	X	X	X	X	8	35	39.9	-	X	-	-	-	-	-	1/2 + 7/8	1-1740533-8
	X	X	X	X	X	X	X	X	8	35	39.9	-	-	-	-	-	-	-	4/5	0-1740533-8

THIS DRAWING IS A CONTROLLED DOCUMENT.

DIMENSIONS: mm

TOLERANCES UNLESS OTHERWISE SPECIFIED:

0 PLC ±0.2
 1 PLC ±0.2
 2 PLC ±0.2
 3 PLC ±0.2
 4 PLC ±0.2
 ANGLES ±0°

MATERIAL: SEE TABLE

FINISH: SEE TABLE

WEIGHT: -

SCALE: 5:1

SHEET 4 OF 4

REV B24

DATE: 01NOV2005

BY: H. Atzmann

CHK: B. Schnaubelt

APPV: T. Klenner

PRODUCT SPEC: 108-18780

APPLICATION SPEC: 114-18996

NAME: AMP DUOPLUG POWER FEMALE CONNECTOR 2-9 POSITION (WITH PEB LOCKING)

SIZE: A1

CAGE CODE: 00779

DRAWING NO: 1740533

RESTRICTED TO: CUSTOMER DRAWING

TE Connectivity

X-ON Electronics

Largest Supplier of Electrical and Electronic Components

Click to view similar products for [Headers & Wire Housings](#) category:

Click to view products by [TE Connectivity](#) manufacturer:

Other Similar products are found below :

[95000-104TRLF](#) [10135584-644402LF](#) [DF62W-EP2022PCA](#) [95000-106TRLF](#) [DF62W-2022SCA](#) [DF62W-EP2022PC](#) [2203348](#) [DF62W-2022SC](#) [1084018](#) [1029039](#) [1084017](#) [802-10-012-10-002000](#) [1112640](#) [1112639](#) [000-34000](#) [0009482033](#) [0009507031](#) [57102-S06-03LF](#) [57202-S52-04LF](#) [PCN6-15S-2.5E](#) [0039019024](#) [58102-G61-06LF](#) [582553-1](#) [0009508121](#) [0050291907](#) [018731A](#) [LY20-4P-DT1-P1E-BR](#) [02.125.8002.8](#) [60101931](#) [60598-1 \(Cut Strip\)](#) [M1625-3R/100](#) [61062-3](#) [61082-181009](#) [636-1427](#) [638009-1](#) [641938-9](#) [641991-4](#) [644168-1](#) [647662-1](#) [65039-019ELF](#) [65817-002LF](#) [65817-015LF](#) [65863-015LF](#) [66207-023LF](#) [67016-026LF](#) [67046-001LF](#) [67095-007LF](#) [68002-116](#) [68016-236H](#) [68648-049](#)