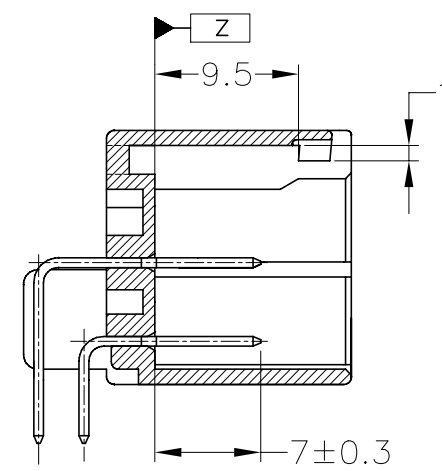
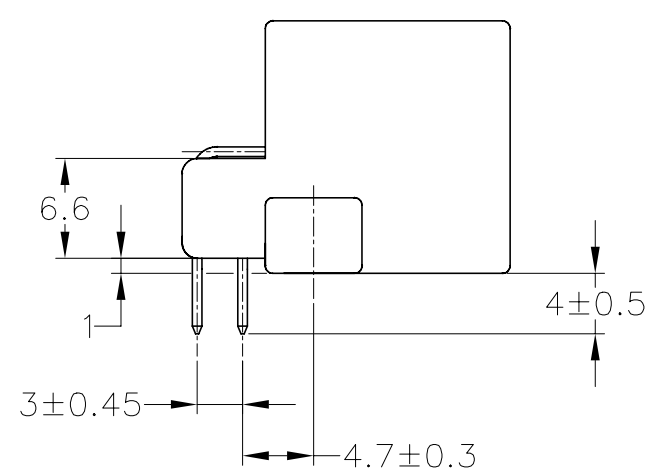
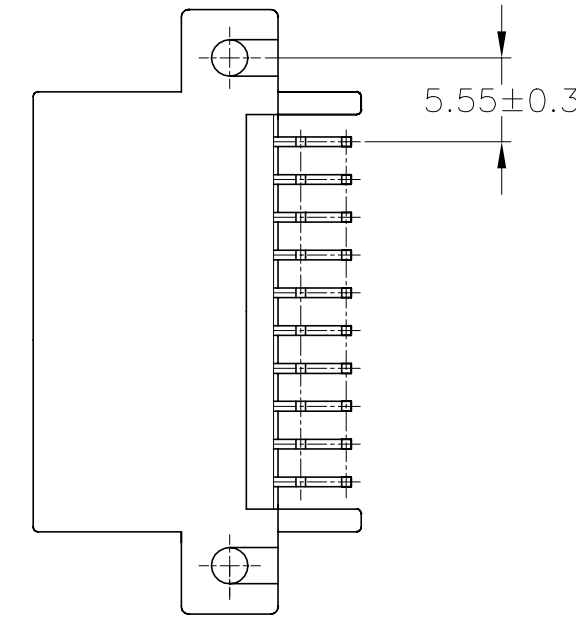
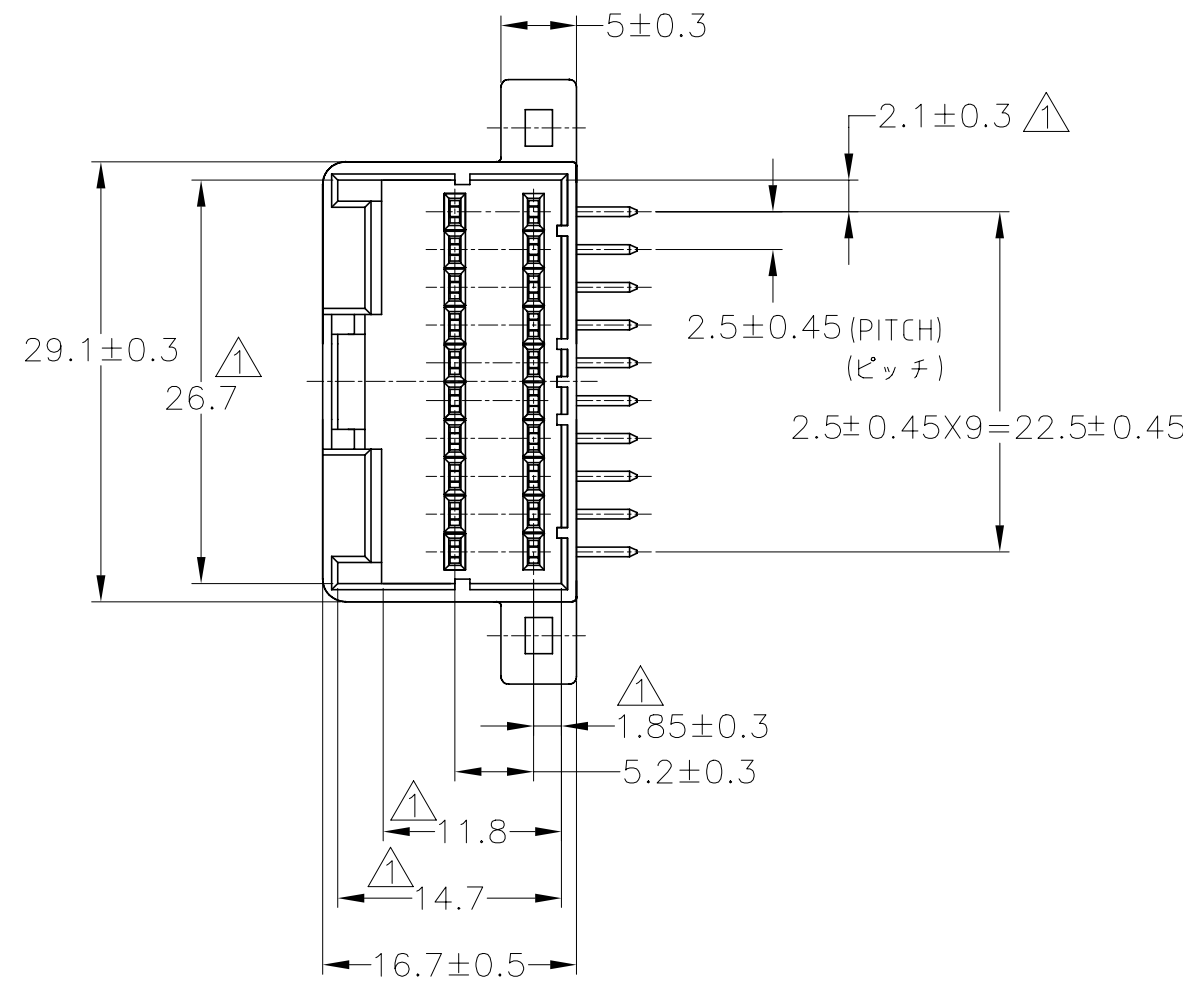
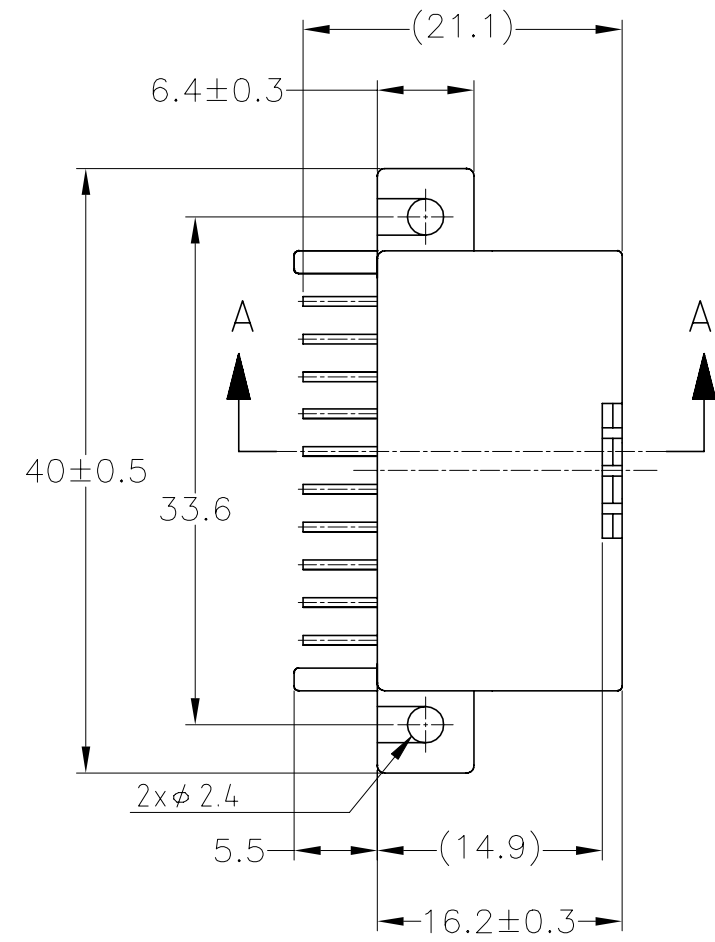
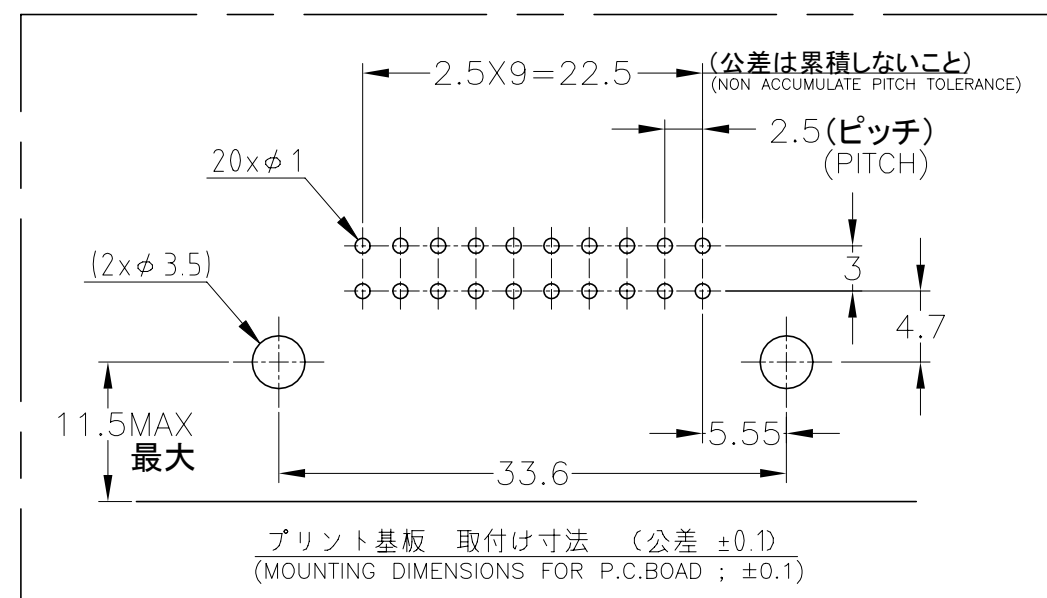


REVISIONS				
P	LTR	DESCRIPTION	DATE	DWN APVD
	G7	OBSOLETE 174055-7 ECR-20-007046	18NOV2020	PSJ TM



A-A

- △ Z 面より2mmの範囲で測定
- 2. 適用プリント基板厚 : 1.6mm
- 3. かん合相手ハウジング型番 : 174047
- 4. 推奨取付けネジ : JIS B1115, B1122 タッピンねじ、なべ2種
呼び径3、長さ7mm以上(締付トルク : 0.39N-m以下)
- △ TO BE MEASURED WITHIN 2mm FROM Z
- 2. APPLICABLE P.C. BOARD THICKNESS: 1.6mm
- 3. THE MATING PLUG HOUSING PART NUMBER: 174047
- 4. RECOMMENDED MOUNTING SCREW: 3mm DIA, 7mm LENGTH (MIN.)
PAN HEAD, CLASS 2 TAPPING SCREW SPECIFIED IN JIS B1115, B1122 (TIGHTENING TORQUE: 0.39N-m MAX.)



	SELECTIVE-TIN (MATTE)	SELECTIVE GOLD	BLACK	1-5174055-2
	TIN-LEAD	SELECTIVE GOLD	BLUE	1-174055-5
OBSOLETE	TIN-LEAD	SELECTIVE GOLD	BLACK	1-174055-2
OBSOLETE	PRE-TIN	PRE-TIN	YELLOW	174055-7
	PRE-TIN	PRE-TIN	BLUE	174055-5
	PRE-TIN	PRE-TIN	GREEN	174055-4
	SELECTIVE-TIN (MATTE)	SELECTIVE-TIN (BRIGHT)	BLACK	174055-3
	PRE-TIN	PRE-TIN	BLACK	174055-2
OBSOLETE	SELECTIVE=TIN	PRE=TIN	BLACK	174055-1
	SOLDERING SIDE	CONTACT SIDE		
	半田付け部	接触部側	COLOR	PART NUMBER
	CONTACT FINISH		色	製品型番
	コンタクト仕上			

THIS DRAWING IS A CONTROLLED DOCUMENT.

DWN T.SHINOHARA 15FEB05
CHK K.BETSUI 15FEB05
APVD K.BETSUI 15FEB05

TE Connectivity

040 SERIES MULTI-LOCK I/O CONN.
20POSITION CAP ASSY
(HORIZONTAL TYPE)

WEIGHT 6.1 g
SIZE A2
CAGE CODE 00779
DRAWING NO. C=174055

SCALE 2:1
SHEET 1 of 1
REV G7

MATERIAL HOUSING: PBT CONTACT: BRASS
FINISH 仕上 SEE TABLE

一般公差 (GENERAL TOLERANCE)
10以下: ±0.2
30以下: ±0.25
30未満: ±0.3
100以下: ±0.3
角度: ±3°

X-ON Electronics

Largest Supplier of Electrical and Electronic Components

Click to view similar products for [Automotive Connectors](#) category:

Click to view products by [TE Connectivity](#) manufacturer:

Other Similar products are found below :

[003-018-000](#) [600858](#) [60403001](#) [60993906-B](#) [60993913-B](#) [629515004020001](#) [M83723/71R1808N L/C](#) [M902-2131](#) [M902-2161](#) [M902-2344](#)
[72.330.1035.1](#) [73.353.4028.0](#) [F118010](#) [F119300-B](#) [F132210](#) [F166900](#) [F180100](#) [F258300](#) [F258300-B](#) [F294300-B](#) [F339100](#) [F339700](#)
[F358300-B](#) [F374110](#) [F407400](#) [F412210](#) [F444110](#) [F487000](#) [F495100](#) [F500900-B](#) [F509500B-B](#) [770444-1](#) [827153-1](#) [881735-1](#)
[8N1515-32-24P](#) [9-1326729-8](#) [925467-1](#) [925474-1](#) [928905-1](#) [936398-2](#) [964562-4](#) [964731-2](#) [968782-1](#) [GT17SA-8DS-HU](#) [GT17VS-10DP-](#)
[5.2CF](#) [98315-0001](#) [98315-0010](#) [98891-1012](#) [98895-2014](#) [98936-1039](#)