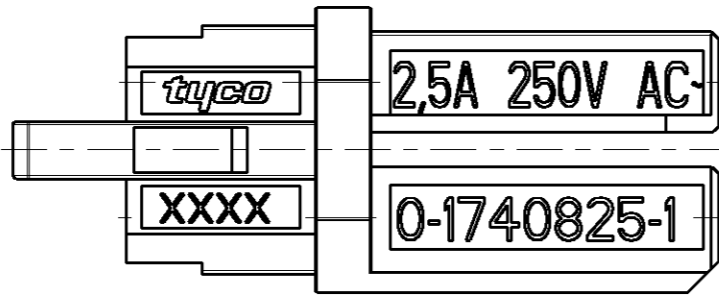


THIS DRAWING IS UNPUBLISHED. RELEASED FOR PUBLICATION 2006
 © COPYRIGHT 2006 BY TYCO ELECTRONICS CORPORATION. ALL RIGHTS RESERVED.

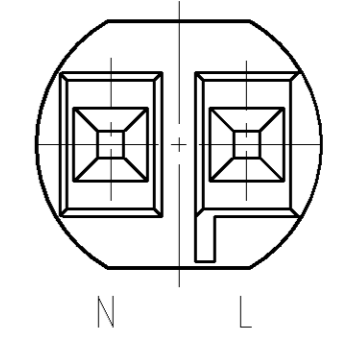
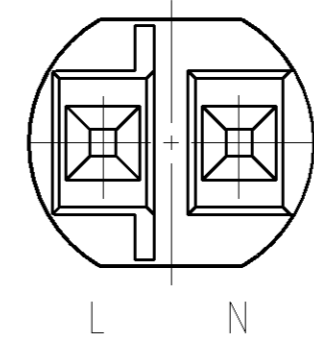
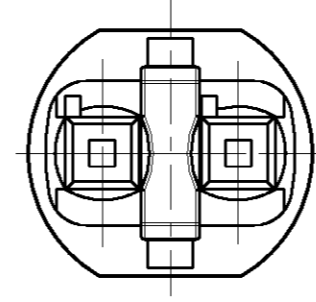
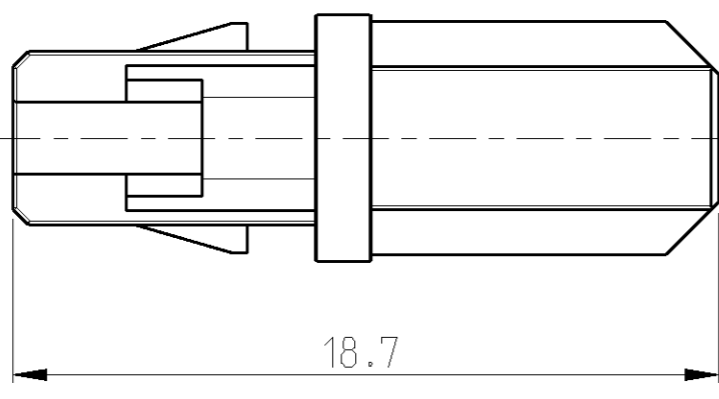
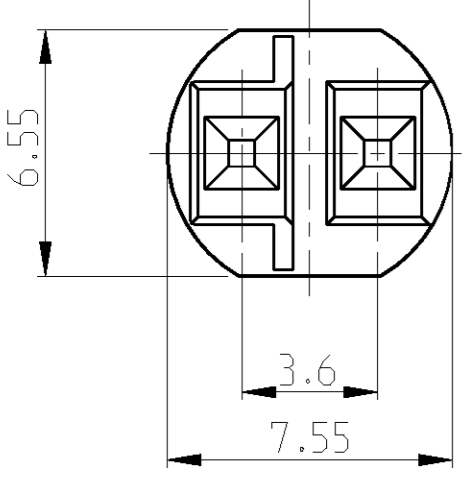
LOC		DIST		REVISIONS			
P	LTR	DESCRIPTION	DATE	DWN	APVD		
A1		NEW	02AUG2006	SKA	TG		
A2		L-N marking of HV-5 changed	30OCT2006	SKA	TG		
A3		PN correction in table	02NOV2006	SKA	TG		



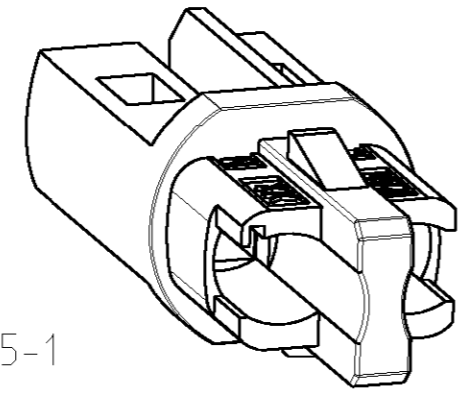
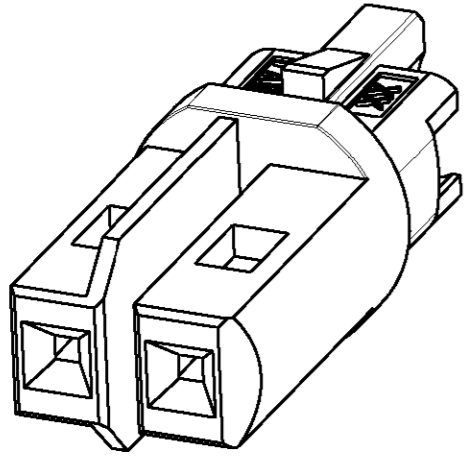
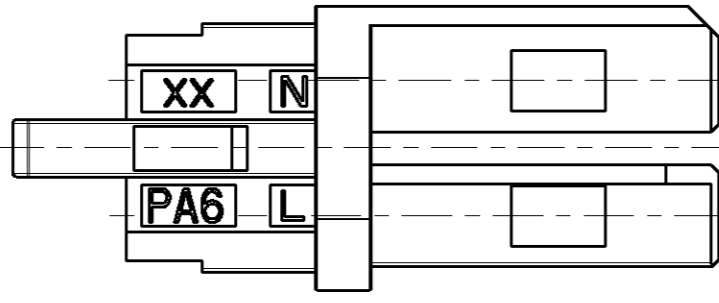
HIGH-VOLTAGE

Keying HV-4

Keying HV-5



Material: PA6
 Volume appr. 273cm³



PN 1740825-1 shown

HV-5	0-1740825-4	A	HIGH-VOLTAGE 250 V	2.5A/250V AC~	BLACK
HV-5	0-1740825-3	A	HIGH-VOLTAGE 250 V	2.5A/250V AC~	NATURAL (WHITE)
HV-4	0-1740825-2	A	HIGH-VOLTAGE 250 V	2.5A/250V AC~	BLACK
HV-4	0-1740825-1	A	HIGH-VOLTAGE 250 V	2.5A/250V AC~	NATURAL (WHITE)
Keying	PN	Rev.	BEMERKUNGEN/REMARKS	Marking	Farbe/COLOR

<small>THIS DRAWING IS A CONTROLLED DOCUMENT FOR TYCO ELECTRONICS CORPORATION. IT IS SUBJECT TO CHANGE AND THE CONTROLLING ENGINEERING ORGANIZATION SHOULD BE CONTACTED FOR THE LATEST REVISION.</small>		DWN H.K.ÜC.ÜK 02AUG2006 CHK S.SKADE 02AUG2006 APVD T.GERLACH 02AUG2006	tyco Electronics tyco Electronics AMP GmbH D - 64625 Bensheim
DIMENSIONS: mm 	TOLERANCES UNLESS OTHERWISE SPECIFIED: 1. PL ±0.2 2. PAC ± 3. PAC ± 4. PL ± ANGLES ±° FINISH	PRODUCT SPEC - APPLICATION SPEC - WEIGHT -	NAME MINI HVL LIGHTING SYSTEM 7.5mm PLUG SIZE A2 CAGE CODE 00779 DRAWING NO. C-1740825 RESTRICTED TO - SCALE 5:1 SHEET 1 OF 1 REV A3
MATERIAL PA 6		CUSTOMER DRAWING	

X-ON Electronics

Largest Supplier of Electrical and Electronic Components

Click to view similar products for [Lighting Connectors](#) category:

Click to view products by [TE Connectivity](#) manufacturer:

Other Similar products are found below :

[293300-7](#) [293660-5](#) [CNX_H03_NTP](#) [30-9767-BU](#) [3605](#) [3-21030-1](#) [ZCH-110-RGB-I](#) [503471-0290](#) [ZCH-110-RGB-J](#) [217-0716-200](#)
[1954563-1](#) [1-293657-2](#) [2834036-1](#) [2834037-1](#) [1-2213222-4](#) [2-2213222-4](#) [2213222-4](#) [2834122-3](#) [2834122-5](#) [2834135-2](#) [FLA-R4142-30](#)
[FLA-R4162-30](#) [FLA-R2142-30](#) [FLA-R2141-30](#) [FLA-R2162-30](#) [FLA-R2161-30](#) [FLA-R0161-30](#) [FLA-R0141-30](#) [FLA-R0142-30](#) [FLA-](#)
[R0162-30](#) [FLA-C00-00](#) [DGA00010553](#) [CNXV04NTP](#) [104128-0610](#) [503485-0000 \(Cut Strip\)](#) [503485-0000 \(Loose Piece\)](#) [503485-0000](#)
[\(MINI Reel\)](#) [1-2834074-2](#) [1-2834074-3](#) [1357-AC PLUG W2C \(CHINA\)](#) [1357-AC PLUG W2 \(USA\)](#) [104266-0110](#) [CNXV02NTP](#) [2106212-1](#)
[2-2834074-2](#) [104266-0210](#) [293470-1](#) [293651-2](#) [293651-4](#) [1-2834006-2](#)