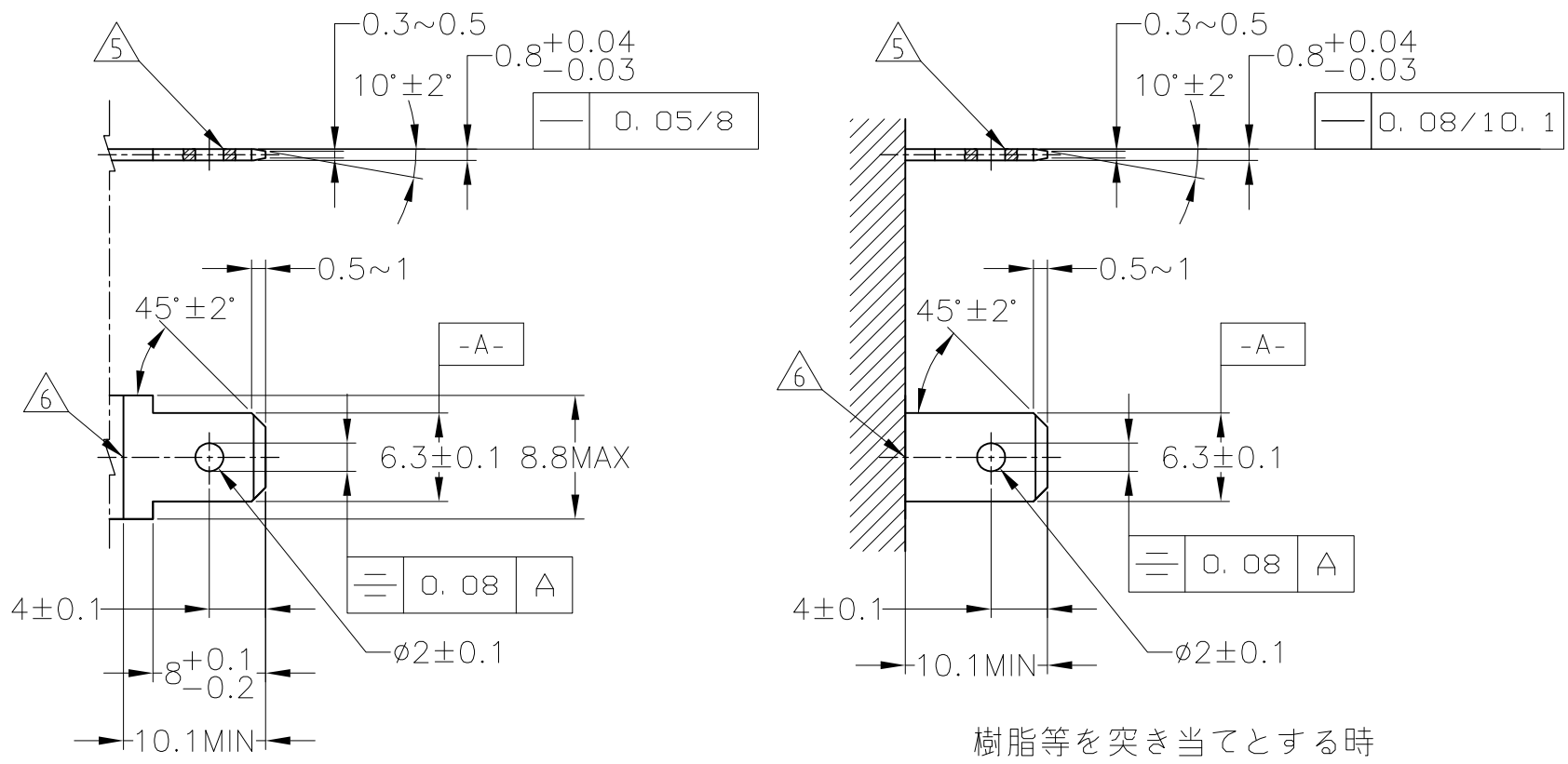
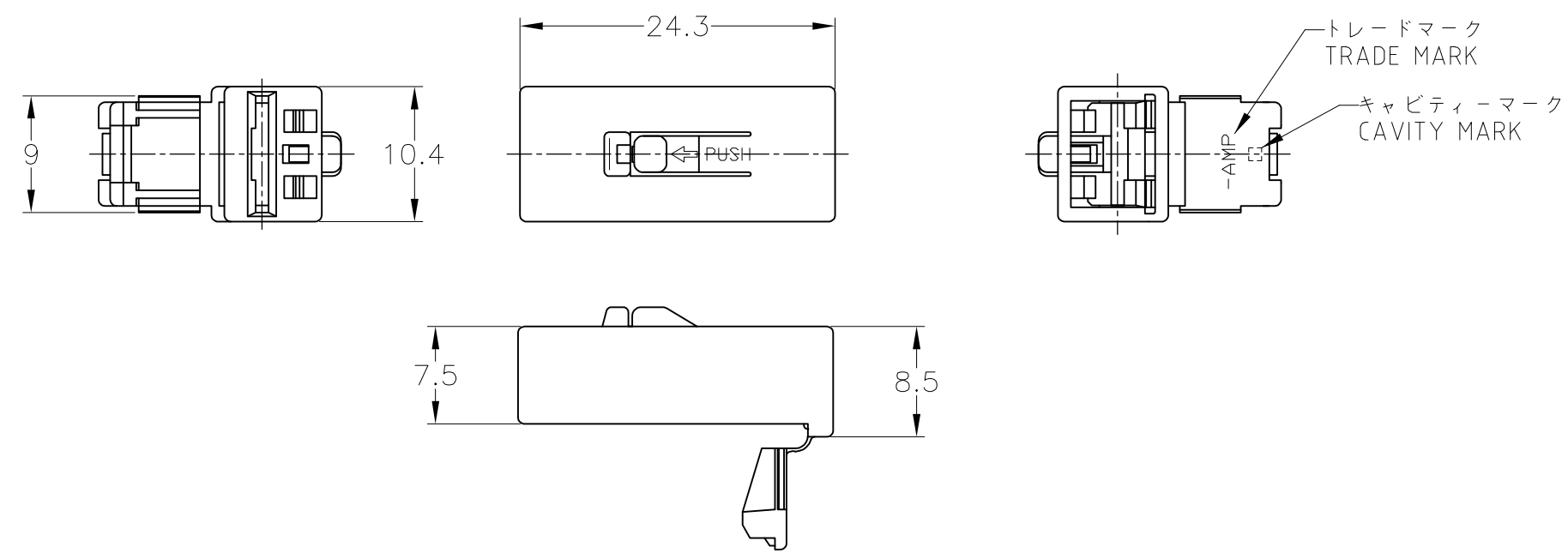


THIS DRAWING IS UNPUBLISHED. RELEASED FOR PUBLICATION  
 © COPYRIGHT - By - ALL RIGHTS RESERVED.

LOC	DIST	REVISIONS					
J	-	P	LTR	DESCRIPTION	DATE	DWN	APVD
			C1	REVISED PER ECO-11-005140	28MAR11	RK	HMR



1. PRODUCT SPEC NO. 108-5150
  2. APPLICATION SPEC NO. 114-5060
  3. CUSTOMER MANUAL NO. CM154J
  4. APPLIDE CONTACT PN 170452, 170454
  - △ WORKMANSHIP OF THE TAB HOLE EDGES MUST BE SUCH THAT EDGES MUST BE FREE FROM THE BURRS, WITH THE SHEAR DROOP NOT EXCEEDING 0.1 MILLIMETER
  - △ CLEARANCE LINE FOR TAB TO MATE WITH COUNTERPART HOUSING
1. 製品規格番号：108-5150
  2. 取付適用規格番号：114-5060
  3. 取扱説明書番号：CM-154J
  4. 適用コンタクト型番：170452, 170454
  - △ タブ穴加工の際、バリがなく穴のダレは0.1を越えないこと
  - △ この部分迄ハウジングが挿入されるための必要スペース

茶 / BROWN	174090-3
黒 / BLACK	174090-2
自然色 / NATURAL	174090-1
色 / COLOR	型番 / PART NUMBER

タブ寸法推奨図  
 RECOMMENDED MATING TAB DESIGN

仕上げ：メッキなし又は錫メッキ  
 FINISH: PLAIN OR ELECTRO-TIN  
 材料：7/3黄銅 0.8t JIS-3100C-2600P-1/2H  
 MATERIAL: 70/30 BRASS, t=0.8

一般公差 (GENERAL TOLERANCE)	
10以下	±0.2
10を超え 30以下	±0.25
30を超え 100以下	±0.3
角 度	±3°

THIS DRAWING IS A CONTROLLED DOCUMENT.	
DIMENSIONS: mm	TOLERANCES UNLESS OTHERWISE SPECIFIED:
	0 PLC ±-
	1 PLC ±-
	2 PLC ±-
	3 PLC ±-
4 PLC ±-	ANGLES ±-
MATERIAL	FINISH
66 ナイロン	-
66 NYLON	-

DWN T.SHINOHARA 17AUG09	<b>STE</b> TE Connectivity			
CHK K.BETSUI 17AUG09				
APVD K.BETSUI 17AUG09	NAME			
PRODUCT SPEC	250 POSITIVE LOCK 1POS. PLUG HOUSING LOW PRO TYPE CONNECTOR			
APPLICATION SPEC	SIZE	CAGE CODE	DRAWING NO	RESTRICTED TO
WEIGHT -	A3	00779	C-174090	-
CUSTOMER DRAWING		SCALE 2:1	SHEET 1 OF 1	REV C1

## X-ON Electronics

Largest Supplier of Electrical and Electronic Components

*Click to view similar products for [Terminals](#) category:*

*Click to view products by [TE Connectivity](#) manufacturer:*

Other Similar products are found below :

[HT-13-10](#) [71M-250-32-NB](#) [01-2065-1-0216](#) [00581P0075](#) [M10-10RX](#) [M10BCK](#) [60205-1](#) [604200-1](#) [60598-1-CUT-TAPE](#) [60617-1-C](#) [60873-1](#) [M14-516R/SK](#) [M14-6RSX](#) [M18-8FBX](#) [M18-8R/LX](#) [M18BCK](#) [61314-6-C](#) [61-S](#) [61-SN-A](#) [62-NBM-A](#) [63-S](#) [640179-1](#) [640917-2-CUT-TAPE](#) [6501550002](#) [66107-2-C](#) [696683-1](#) [696834-1](#) [696861-1](#) [696931-1](#) [696999-1](#) [M8-516RK](#) [M86700006](#) [MA250DMFMX-A](#) [701-2007](#) [701-2307](#) [701-7761-03](#) [70F-110-32-PB](#) [718-N-A](#) [71M-187-20-NBL](#) [71M-250-32-NBL](#) [72F-187-20-NBL](#) [72M-250-32-NBL](#) [7310](#) [73F-250-32](#) [73F-250-32-NL](#) [F14-10C](#) [F-1M](#) [751-250](#) [76650-5002](#) [76828-149](#)