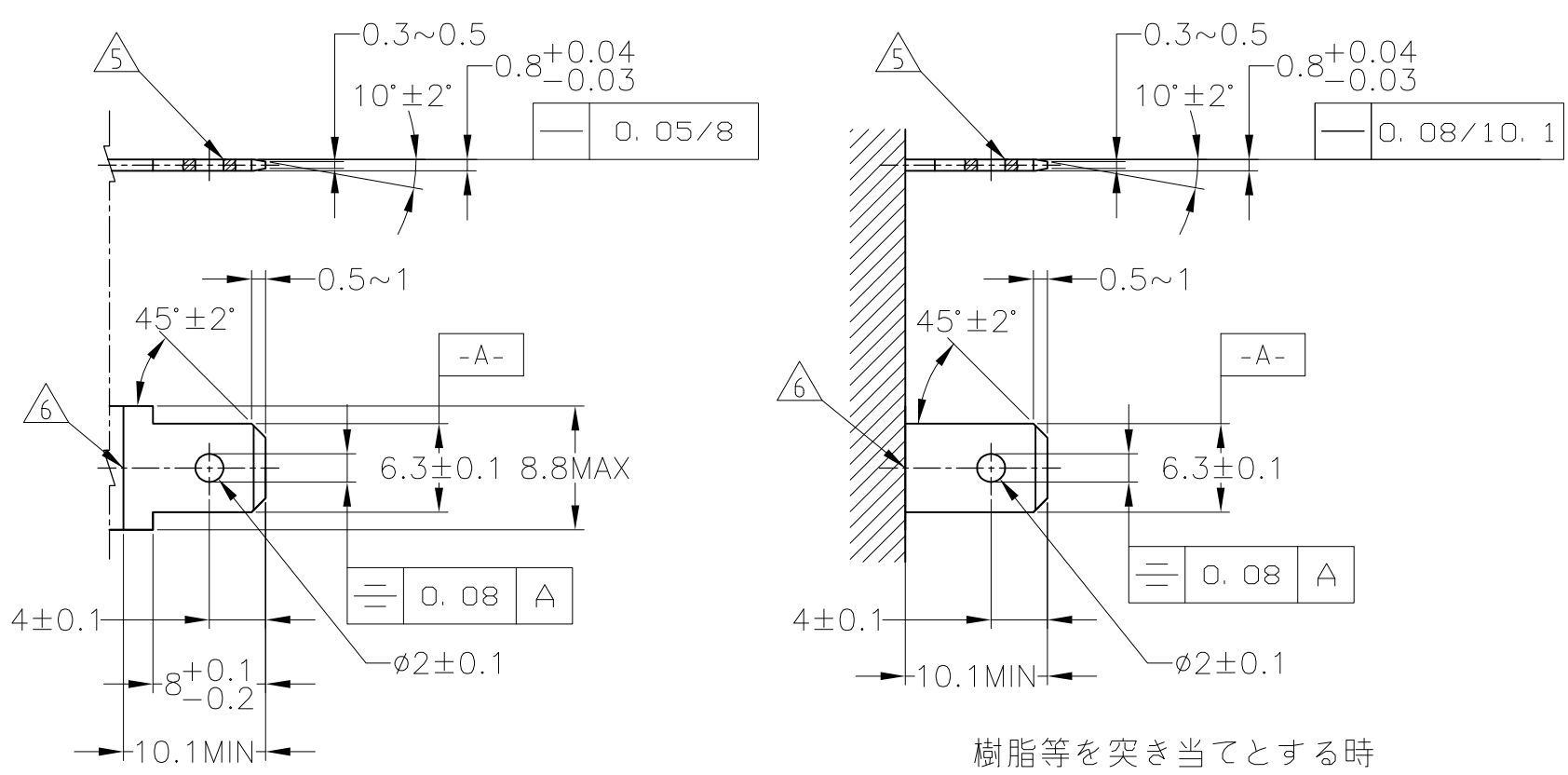
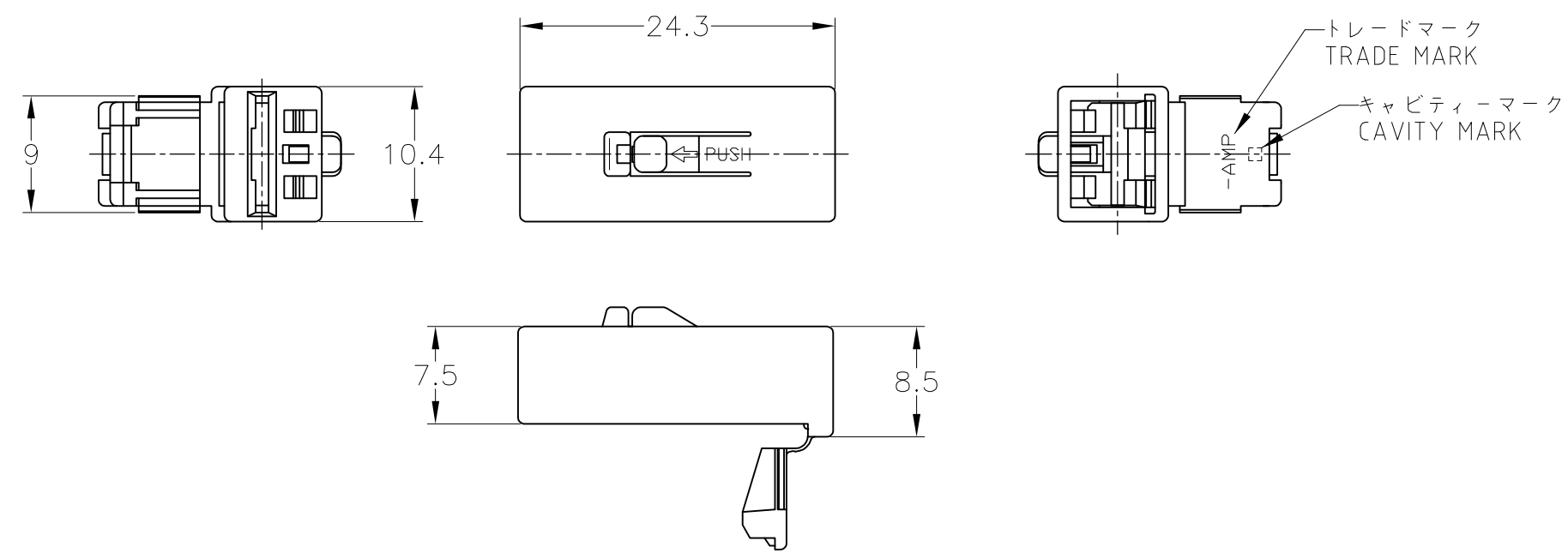


THIS DRAWING IS UNPUBLISHED. RELEASED FOR PUBLICATION
 © COPYRIGHT - By - ALL RIGHTS RESERVED.

LOC	DIST	REVISIONS					
J	-	P	LTR	DESCRIPTION	DATE	DWN	APVD
			C1	REVISED PER ECO-11-005140	28MAR11	RK	HMR



1. PRODUCT SPEC NO. 108-5150
 2. APPLICATION SPEC NO. 114-5060
 3. CUSTOMER MANUAL NO. CM154J
 4. APPLIDE CONTACT PN 170452, 170454
 - △ WORKMANSHIP OF THE TAB HOLE EDGES MUST BE SUCH THAT EDGES MUST BE FREE FROM THE BURRS, WITH THE SHEAR DROOP NOT EXCEEDING 0.1 MILLIMETER
 - △ CLEARANCE LINE FOR TAB TO MATE WITH COUNTERPART HOUSING
1. 製品規格番号：108-5150
 2. 取付適用規格番号：114-5060
 3. 取扱説明書番号：CM-154J
 4. 適用コンタクト型番：170452, 170454
 - △ タブ穴加工の際、バリがなく穴のダレは0.1を越えないこと
 - △ この部分迄ハウジングが挿入されるための必要スペース

茶 / BROWN	174090-3
黒 / BLACK	174090-2
自然色 / NATURAL	174090-1
色 / COLOR	型番 / PART NUMBER

タブ寸法推奨図
 RECOMMENDED MATING TAB DESIGN

仕上げ：メッキなし又は錫メッキ
 FINISH: PLAIN OR ELECTRO-TIN
 材料：7/3黄銅 0.8t JIS-3100C-2600P-1/2H
 MATERIAL: 70/30 BRASS, t=0.8

一般公差 (GENERAL TOLERANCE)	
10以下	±0.2
10を超え 30以下	±0.25
30を超え 100以下	±0.3
角 度	±3°

THIS DRAWING IS A CONTROLLED DOCUMENT.	
DIMENSIONS: mm	TOLERANCES UNLESS OTHERWISE SPECIFIED:
	0 PLC ±-
	1 PLC ±-
	2 PLC ±-
	3 PLC ±-
	4 PLC ±-
	ANGLES ±-
MATERIAL	FINISH
66 ナイロン	-
66 NYLON	-

DWN T.SHINOHARA	17AUG09	STE TE Connectivity	NAME		
CHK K.BETSUI	17AUG09		250 POSITIVE LOCK 1POS. PLUG HOUSING LOW PRO TYPE CONNECTOR		
APVD K.BETSUI	17AUG09	SIZE	CAGE CODE	DRAWING NO	RESTRICTED TO
PRODUCT SPEC	SEE NOTE 1	A3	00779	C-174090	-
APPLICATION SPEC	SEE NOTE 2	WEIGHT	CUSTOMER DRAWING		SCALE
					2:1
			SHEET	1 OF 1	REV
					C1

X-ON Electronics

Largest Supplier of Electrical and Electronic Components

Click to view similar products for [Terminals](#) category:

Click to view products by [TE Connectivity](#) manufacturer:

Other Similar products are found below :

[00-054007-01074-6](#) [00-054007-70206-1](#) [00-054007-70210-8](#) [00-054007-70217-7](#) [00-054007-70226-9](#) [00-054007-70228-3](#) [00-054007-70248-1](#) [00-054007-70256-6](#) [00-054007-70301-3](#) [00-054007-70316-7](#) [00-054007-49560-4](#) [00-054007-70209-2](#) [00-054007-70225-2](#) [00-054007-70227-6](#) [00-054007-70231-3](#) [00-054007-70241-2](#) [00-054007-70242-9](#) [00-054007-70244-3](#) [00-054007-70246-7](#) [00-054007-70263-4](#) [00-054007-70288-7](#) [00-054007-70290-0](#) [00-054007-70300-6](#) [00-054007-70304-4](#) [01-2065-1-0216](#) [01-2900-1-04412](#) [00581P0075](#) [600TS-10](#) [60205-1](#) [604200-1](#) [605601-1](#) [60598-1-CUT-TAPE](#) [61314-6-C](#) [61810-3](#) [61-S](#) [61-SN](#) [626-0194](#) [62-NBM-A](#) [62-SN](#) [62-SP](#) [63-S](#) [640179-1](#) [M55155/059I03](#) [M55155/079C01](#) [M55155/099H02](#) [M55155/109H01](#) [M55155/109H02](#) [M55155/12XH05](#) [M55155/16XH02](#) [M55155/29-5S](#)