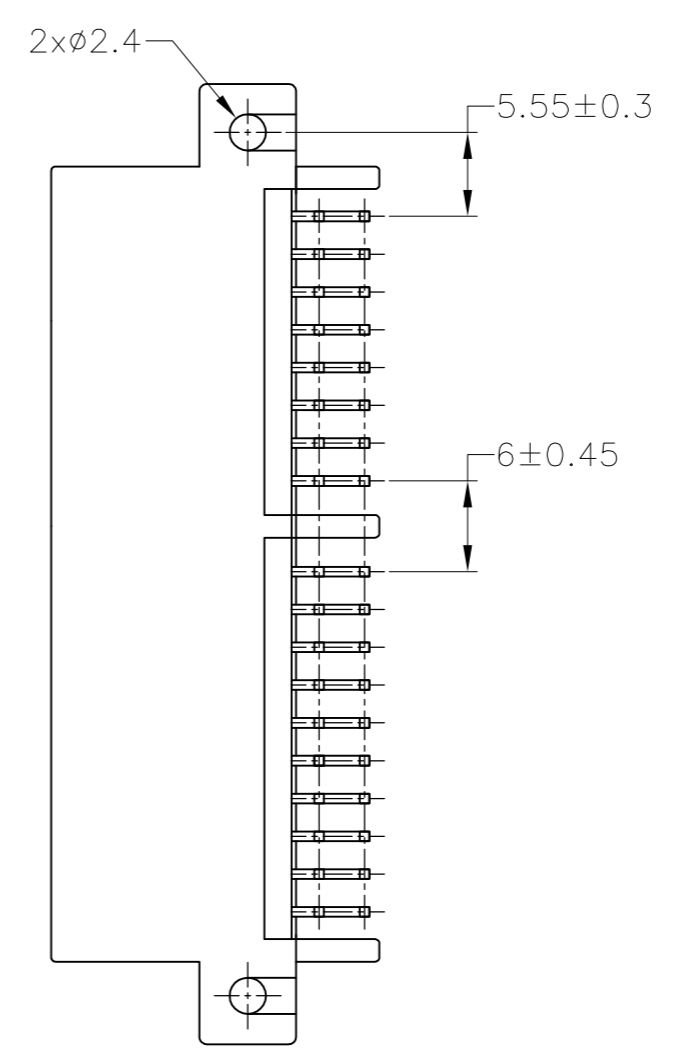
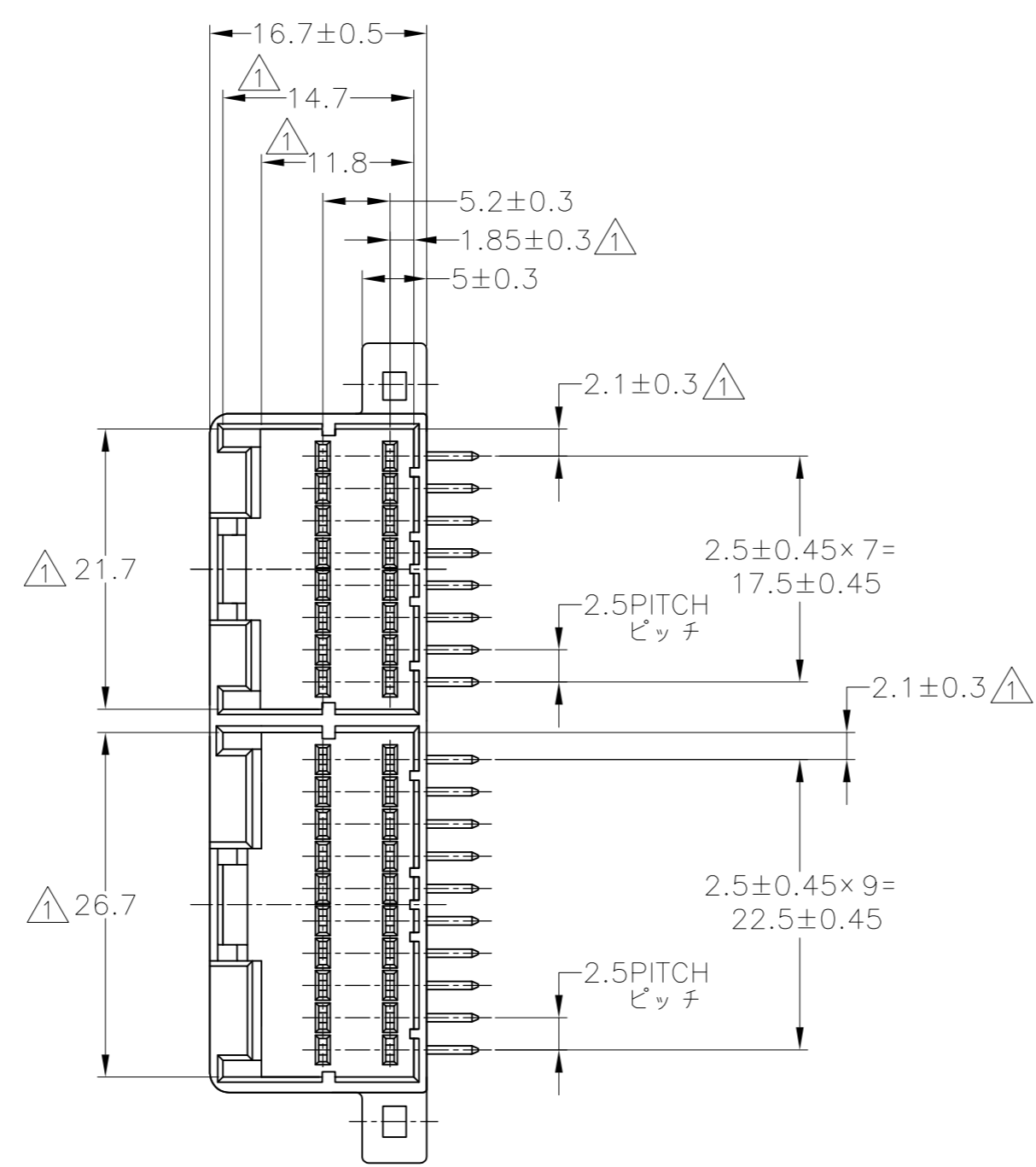
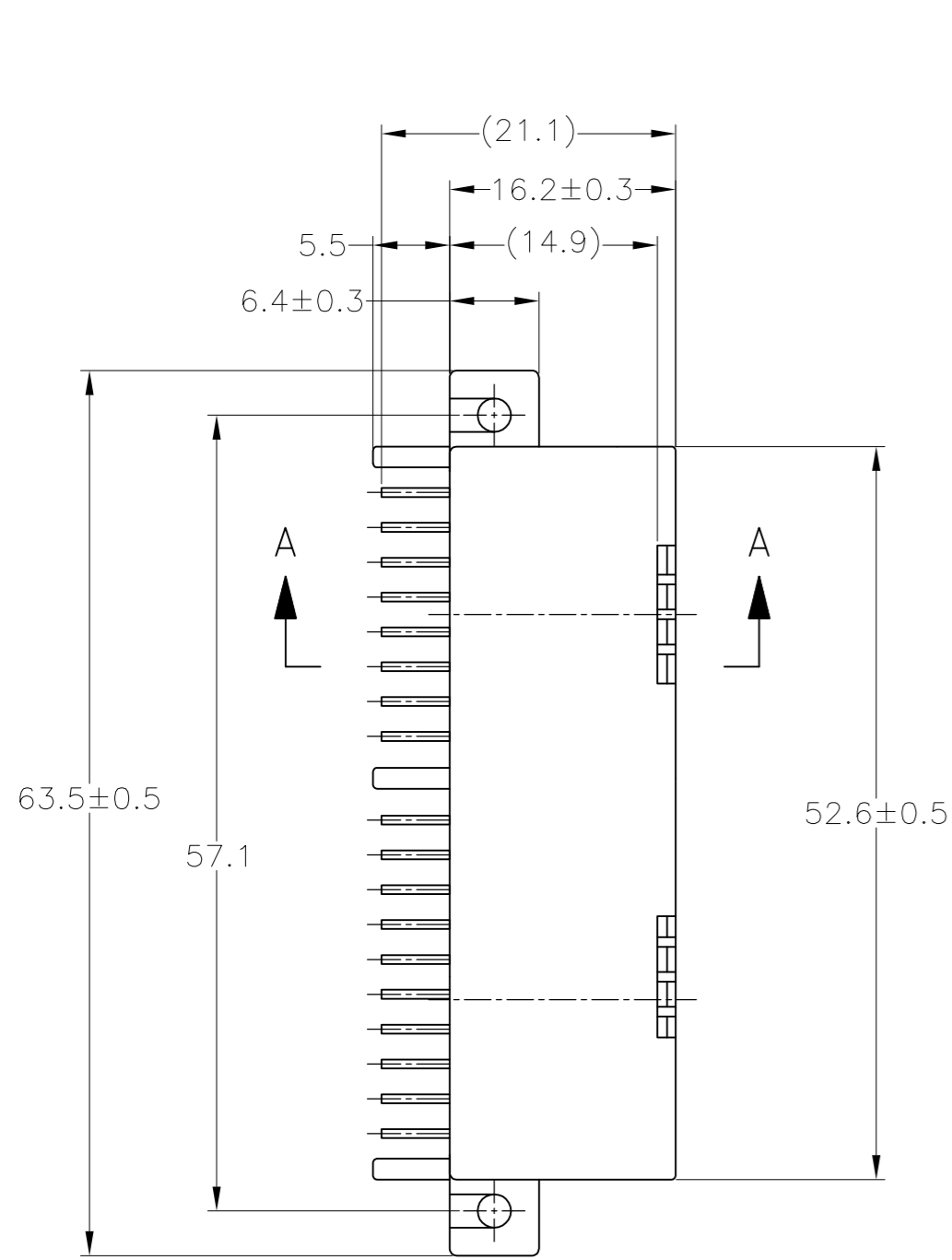
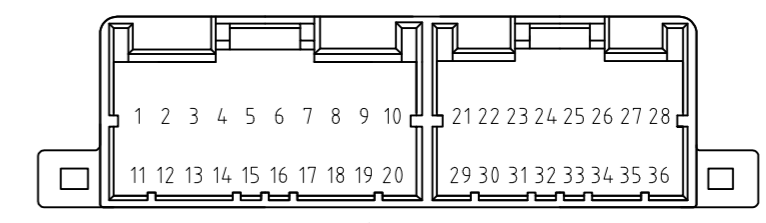
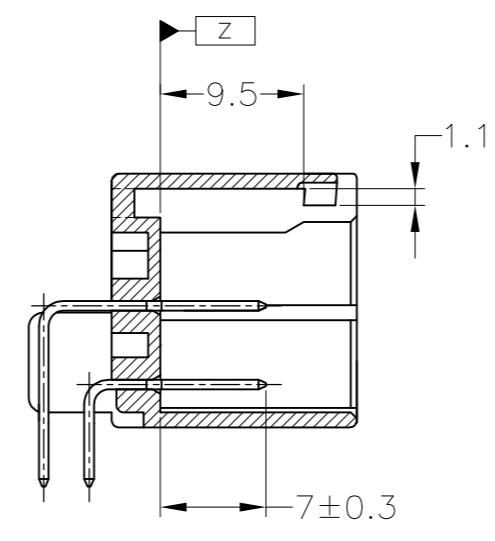
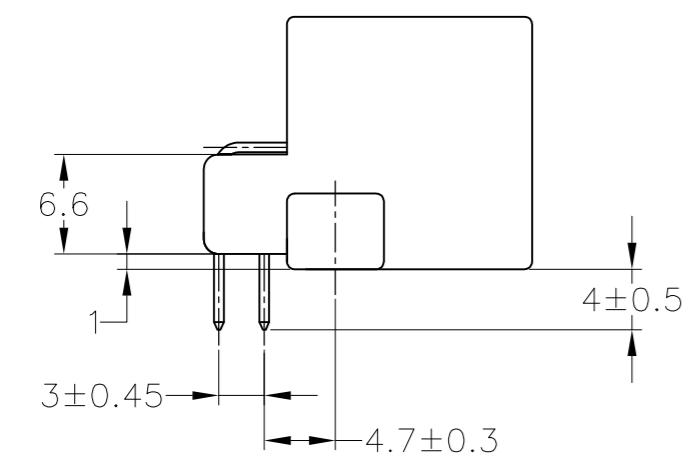


THIS DRAWING IS UNPUBLISHED. RELEASED FOR PUBLICATION
 © COPYRIGHT - By - ALL RIGHTS RESERVED.

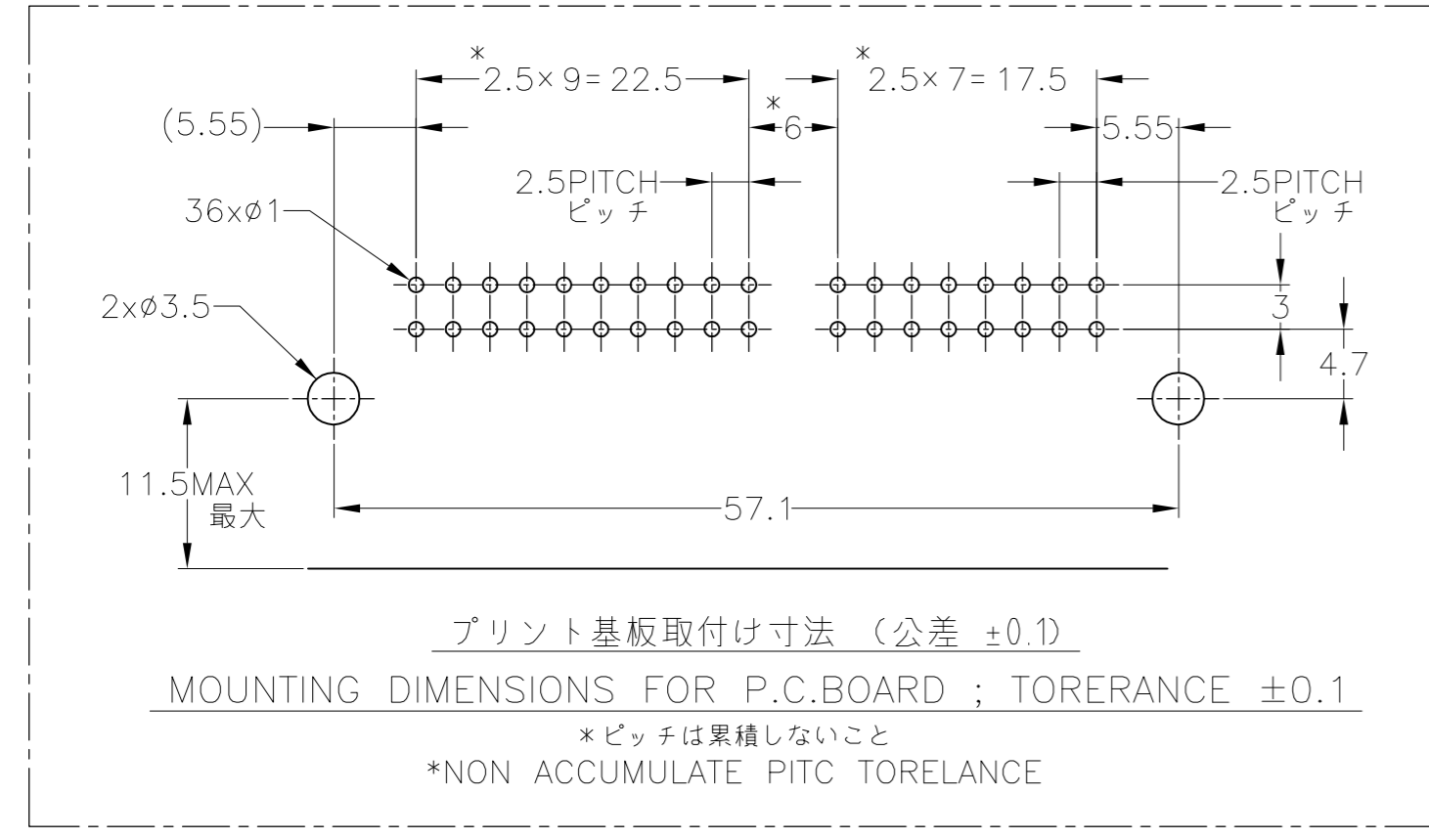
LOC	DIST	REVISIONS					
		P	LTR	DESCRIPTION	DATE	DWN	APVD
J	-	G2	REVISED	ECO-15-008937	15JUN15	KF	RK



- ① Z面より2mmの範囲で測定。
 - 2. 適用プリント基板厚: 1.6mm
 - 3. 嵌合相手ハウジング型番: 174046, 174047
 - 4. 推奨取付けねじ: JIS B1115, B1122 タッピンねじ, なべ2種
呼び径3, 長さ7mm以上 (締付けトルク: 0.4N-m以下)
 - 5. 製品規格番号: 108-5244, 取扱説明書: 411-5883
 - ⑥ 回路番号: FIG.1 参照
- ① TO BE MEASURED WITHIN 2mm FROM Z
 - 2. APPLICABLE P.C.BOARD THICKNESS: 1.6mm
 - 3. THE MATING PLUG HOUSING PART NUMBER: 174046, 174047
 - 4. RECOMMENDED MOUNTING SCREW: 3mm DIA, 7mm LENGTH (MIN.)
PAN HEAD, CLASS 2 TAPPING SCREW SPECIFIED IN JIS B1115,
B1122 (TIGHTENING TORQUE: 0.4N-m MAX.)
 - 5. PRODUCT SPECIFICATION: 108-5244
INSTRUCTION SHEET: 411-5883
 - ⑥ CIRCUIT NUMBER: SEE FIG.1



⑥ FIG.1



TOLERANCE UNLESS OTHERWISE SPECIFIED:
 一般公差

0 < x ≤ 10	±0.2
10 < x ≤ 30	±0.25
30 < x ≤ 100	±0.3
角度	±3°

SELECTIVE-TIN (MATTE)	SELECTIVE GOLD	1~36	BLACK	1-5174146-2
OBSOLETE	SELECTIVE-TIN	PRE-TIN	BLACK	2-174146-2
	TIN-LEAD	SELECTIVE GOLD	BLACK	1-174146-2
	PRE-TIN	-	GREEN	174146-4
	PRE-TIN × 35	-	BLACK	174146-3
	TIN-LEAD	SELECTIVE GOLD × 1	21	174146-2
	PRE-TIN	-	BLACK	174146-2
	PRE-TIN	-	WHITE	174146-1
CONTACT FINISH 半田付け部	CONTACT SIDE 接触部側	GOLD PLATED CIRCUIT NO 金めっき回路番号	COLOR 色	PART NUMBER 製品型番
CONTACT FINISH コンタクト仕上		⑥		

THIS DRAWING IS A CONTROLLED DOCUMENT.

DWN	T.SHINOHARA	06JAN09
CHK	K.BETSUI	06JAN09
APVD	K.BETSUI	06JAN09

TE Connectivity

040 SERIES MULTI-LOCK I/O CONNECTOR
 36POSITION CAP HOUSING ASSEMBLY

SIZE	A2	CAGE CODE	00779	DRAWING NO	C=174146
WEIGHT	17.5 g	RESTRICTED TO	-	SCALE	2:1
CUSTOMER DRAWING	SHEET	1 of 1	REV	G2	

X-ON Electronics

Largest Supplier of Electrical and Electronic Components

Click to view similar products for [Automotive Connectors](#) category:

Click to view products by [TE Connectivity](#) manufacturer:

Other Similar products are found below :

[003-018-000](#) [60403001](#) [60993906-B](#) [M902-2131](#) [M902-2161](#) [M902-2344](#) [72.330.1035.1](#) [73.353.4028.0](#) [F119300-B](#) [F166900](#) [F258300-B](#)
[F358300-B](#) [F407400](#) [F444110](#) [F487000](#) [F509500B-B](#) [827153-1](#) [8N1515-32-24P](#) [9-1326729-8](#) [925474-1](#) [928905-1](#) [964562-4](#) [968782-1](#)
[GT17SA-8DS-HU](#) [98891-1012](#) [98947-1016](#) [12004147](#) [12004475-L](#) [12010290](#) [12010309-B](#) [12015454](#) [12020219-B](#) [12041318-B](#) [12052225-](#)
[L](#) [12052466](#) [12064869](#) [12004327-B](#) [12015308](#) [12015384](#) [12015909](#) [1-21030-1](#) [12041254](#) [12041318](#) [12047946-B](#) [12047957](#) [12047957-L](#)
[12059473](#) [12066261](#) [12110546](#) [12110546-B](#)