

4

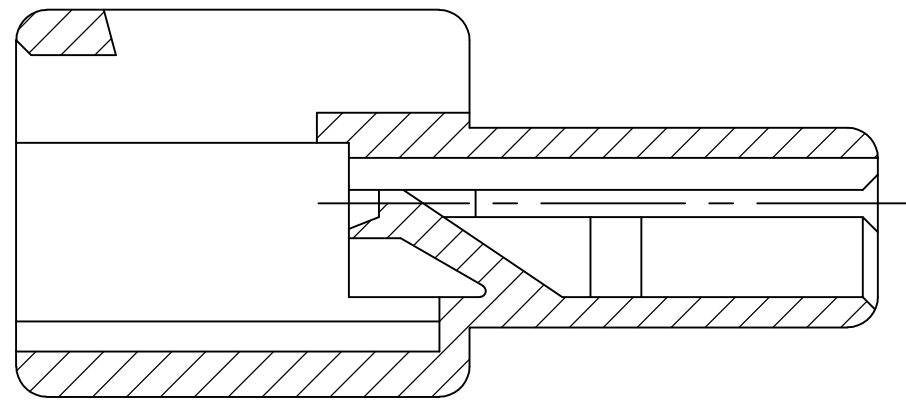
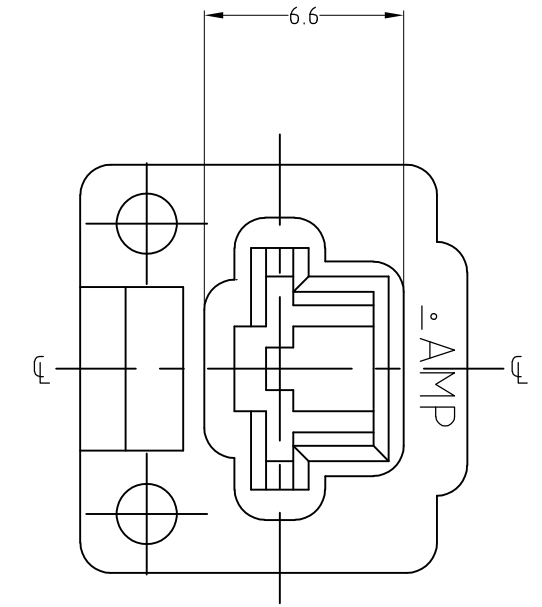
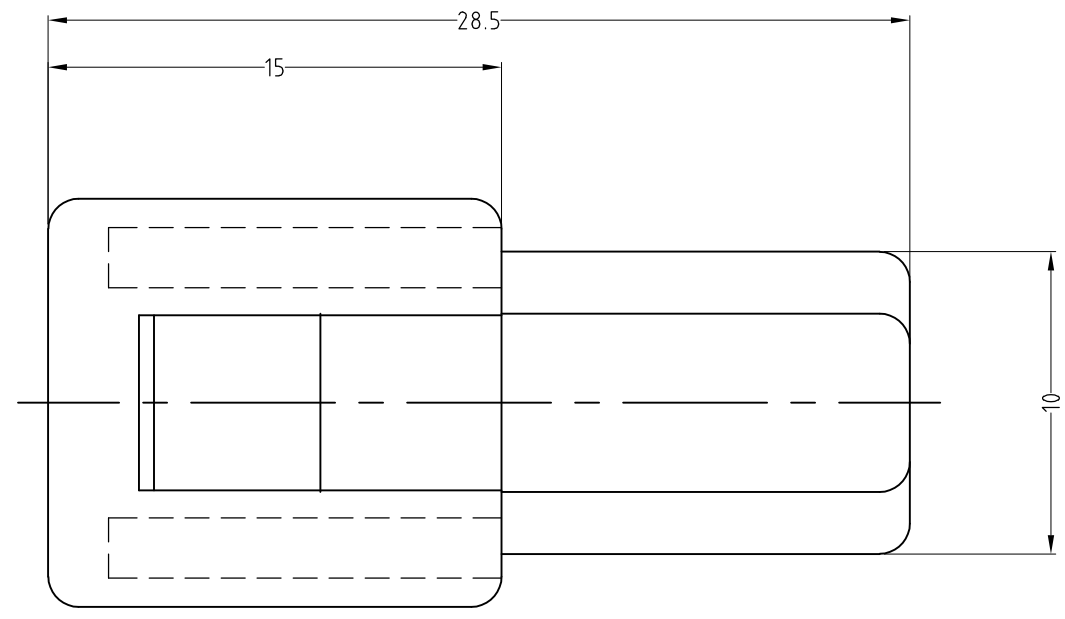
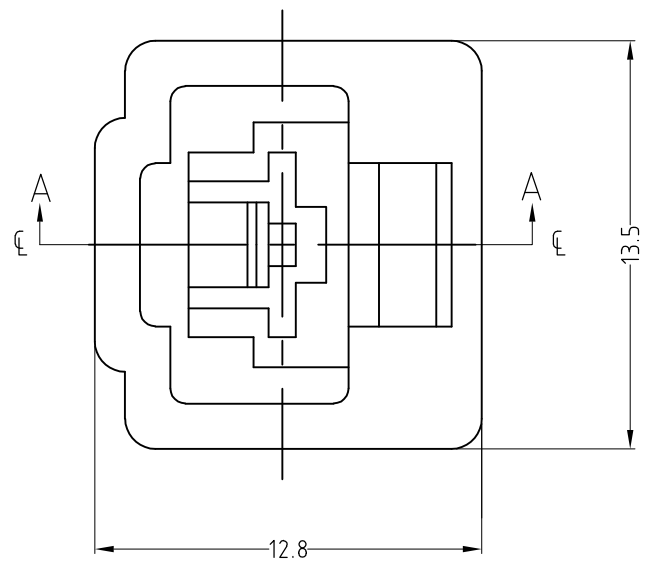
3

2

1

THIS DRAWING IS UNPUBLISHED. RELEASED FOR PUBLICATION
 © COPYRIGHT BY TYCO ELECTRONICS CORPORATION. ALL RIGHTS RESERVED.

LOC	DIST	REVISIONS			
P	LTR	DESCRIPTION	DATE	DWN	APVD
	0	RELEASED FJD0-0013-03	22FEB2003	T.H	M.S
	01	REVISED PER ECO-09-024717	02DEC09	KK	AEG



SECTION A-A

RED	174195-9
ORANGE	174195-8
YELLOW	174195-7
GRAY	174195-6
3 OBSOLETE	BLUE 174195-5
GREEN	174195-4
BROWN	174195-3
BLACK	174195-2
NATURAL	174195-1
COLOR	PARTS NUMBER

- NOTES.
 1. THE MATING PLUG HOUSING PART NUMBER : 174196
 2. APPLICABLE CONTACT PART NUMBER : 170349 , 170340, 170341
 3. OBSOLETE PARTS: OBSOLETE CIS STREAMLINING PER D.RENAUD/D.SINISI

THIS DRAWING IS A CONTROLLED DOCUMENT.		DWN : BH CHO 09JAN2003	Tyco Electronics AMP K.K. Kawasaki, Japan			
DIMENSIONS: MM		CHK : BW KANG 09JAN2003				
TOLERANCES UNLESS OTHERWISE SPECIFIED: ±0.3		APVD : CS LEE 09JAN2003	NAME			
		PRODUCT SPEC	1 P CAP HOUSING			
		APPLICATION SPEC	250 SERIES HOUSING LANCE CONNECTOR			
MATERIAL: 66 NYLON	FINISH: -	WEIGHT: -	SIZE: A3	CAGE CODE: 00779	DRAWING NO: 174195	RESTRICTED TO: -
CUSTOMER DRAWING			SCALE: 4:1	SHEET: 1 OF 1	REV: 01	

X-ON Electronics

Largest Supplier of Electrical and Electronic Components

Click to view similar products for [Terminals](#) category:

Click to view products by [TE Connectivity](#) manufacturer:

Other Similar products are found below :

[00-054007-01074-6](#) [00-054007-70206-1](#) [00-054007-70210-8](#) [00-054007-70217-7](#) [00-054007-70226-9](#) [00-054007-70228-3](#) [00-054007-70248-1](#) [00-054007-70256-6](#) [00-054007-70301-3](#) [00-054007-70316-7](#) [0-0320562-0](#) [00-054007-49560-4](#) [00-054007-70209-2](#) [00-054007-70225-2](#) [00-054007-70227-6](#) [00-054007-70231-3](#) [00-054007-70241-2](#) [00-054007-70242-9](#) [00-054007-70244-3](#) [00-054007-70246-7](#) [00-054007-70263-4](#) [00-054007-70288-7](#) [00-054007-70290-0](#) [00-054007-70300-6](#) [00-054007-70304-4](#) [01-2065-1-0216](#) [01-2900-1-04412](#) [00581P0075](#) [600TS-10](#) [60205-1](#) [604200-1](#) [605601-1](#) [60598-1-CUT-TAPE](#) [61314-6-C](#) [61810-3](#) [61-S](#) [61-SN](#) [626-0194](#) [62-NBM-A](#) [62-SN](#) [62-SP](#) [63-S](#) [640179-1](#) [M55155/059I03](#) [M55155/079C01](#) [M55155/099H02](#) [M55155/109H01](#) [M55155/109H02](#) [M55155/12XH05](#) [M55155/16XH02](#)