

THIS DRAWING IS UNPUBLISHED.

RELEASED FOR PUBLICATION

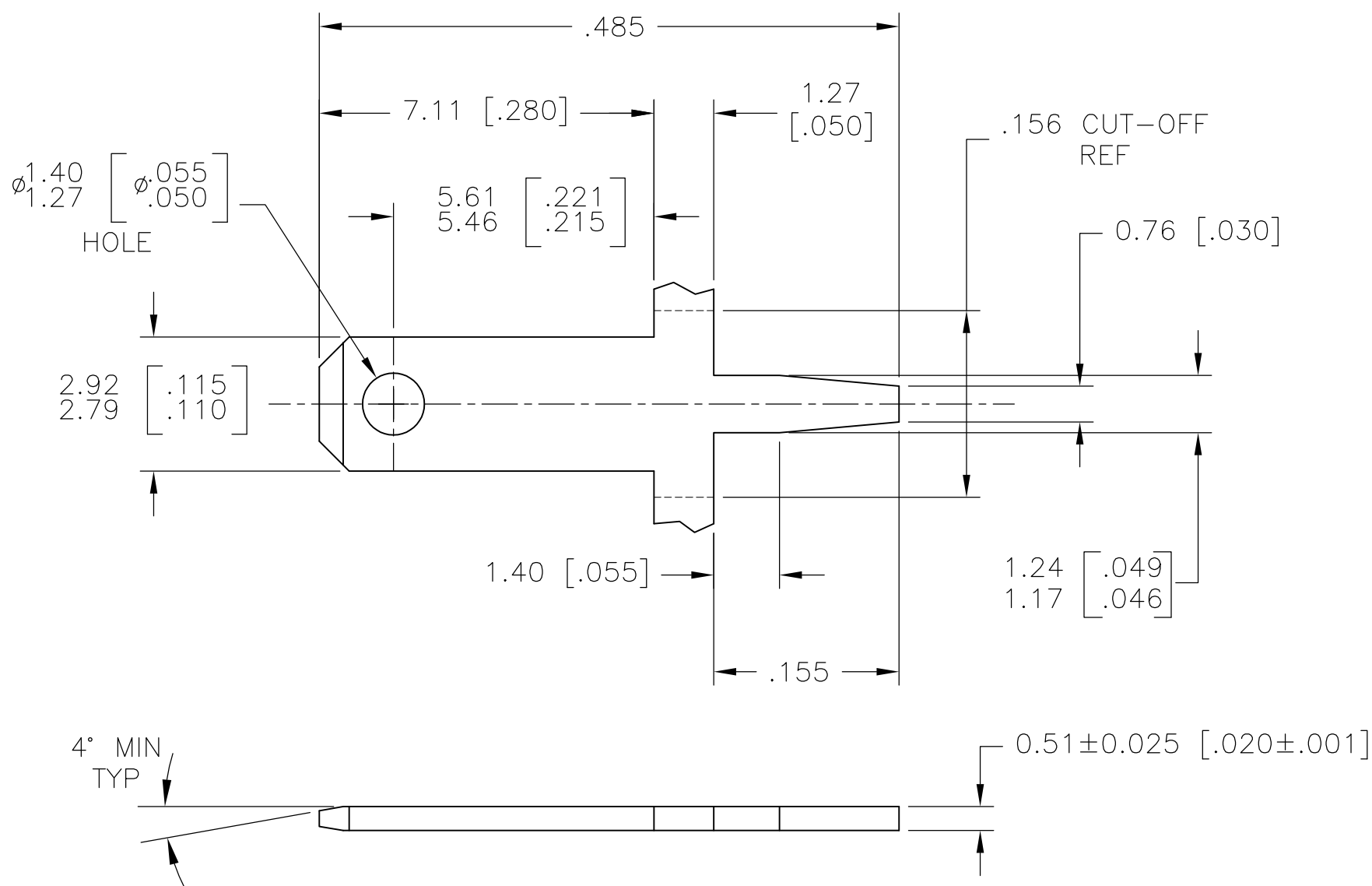
© COPYRIGHT - By -

ALL RIGHTS RESERVED.

LOC AF DIST 50

REVISIONS

P	LTR	DESCRIPTION	DATE	DWN	APVD
G		REVISED PER ECR-13-001204	03JUL13	KH	PD



- 1 CONTINUOUS STRIP ON REELS
- 2 PART TO MEET AMP SOLDERABILITY SPEC 109-11-2 (MILDLY ACTIVATED ROSIN)
- 3 FITS 1.17/1.02 [.046/.040] DIA HOLE IN PC BOARD. WHEN PLATED THRU HOLES ARE TO BE USED, ADJUSTMENT TO HOLE DIA'S SHOULD BE MADE TO ALLOW FOR THE PLATING
- △ 4 .00381 [.000150] MIN TIN OVER 0.00254 [.000100] MIN COPPER.

1742014-1

PART NO.

THIS DRAWING IS A CONTROLLED DOCUMENT.		DWN jr_ruth 17OCT03	STE TE Connectivity			
DIMENSIONS: mm [INCHES]		CHK KRISTY YI 16OCT03				
TOLERANCES UNLESS OTHERWISE SPECIFIED:		APVD KRISTY YI 16OCT03	NAME			
0 PLC ± -		PRODUCT SPEC	TAB, FASTON, PC BOARD, 2.79 [.110] SERIES			
1 PLC ± -		APPLICATION SPEC	SIZE	CAGE CODE	DRAWING NO	RESTRICTED TO
2 PLC ± 0.25 [.010]		WEIGHT -	A3	00779	C-1742014	-
3 PLC ± -		CUSTOMER DRAWING	SCALE	SHEET	REV	G
4 PLC ± -			1:1	1 OF 1		
ANGLES ± -						
MATERIAL BRASS						
FINISH △ 4						

X-ON Electronics

Largest Supplier of Electrical and Electronic Components

Click to view similar products for [Terminals](#) category:

Click to view products by [TE Connectivity](#) manufacturer:

Other Similar products are found below :

[00-054007-01074-6](#) [00-054007-70206-1](#) [00-054007-70210-8](#) [00-054007-70217-7](#) [00-054007-70226-9](#) [00-054007-70228-3](#) [00-054007-70248-1](#) [00-054007-70256-6](#) [00-054007-70301-3](#) [00-054007-70316-7](#) [0-0320562-0](#) [00-054007-49560-4](#) [00-054007-70209-2](#) [00-054007-70225-2](#) [00-054007-70227-6](#) [00-054007-70231-3](#) [00-054007-70241-2](#) [00-054007-70242-9](#) [00-054007-70244-3](#) [00-054007-70246-7](#) [00-054007-70263-4](#) [00-054007-70288-7](#) [00-054007-70290-0](#) [00-054007-70300-6](#) [00-054007-70304-4](#) [01-2065-1-0216](#) [01-2900-1-04412](#) [00581P0075](#) [600TS-10](#) [60205-1](#) [604200-1](#) [605601-1](#) [60598-1-CUT-TAPE](#) [61314-6-C](#) [61810-3](#) [61-S](#) [61-SN](#) [626-0194](#) [62-NBM-A](#) [62-SN](#) [62-SP](#) [63-S](#) [640179-1](#) [M55155/059I03](#) [M55155/079C01](#) [M55155/099H02](#) [M55155/109H01](#) [M55155/109H02](#) [M55155/12XH05](#) [M55155/16XH02](#)