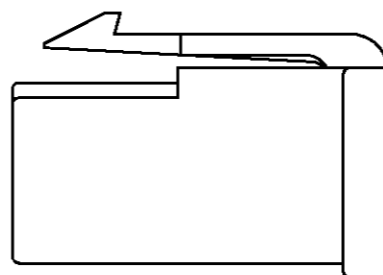
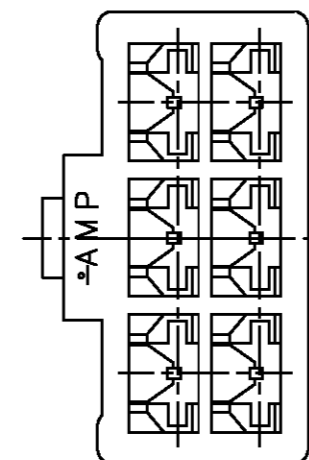
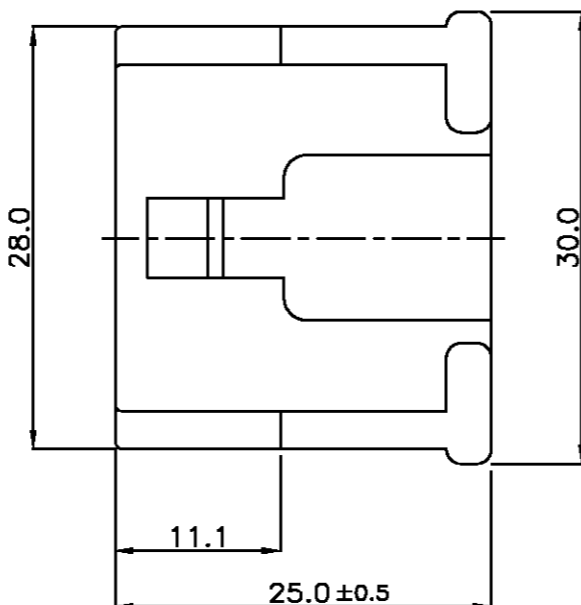
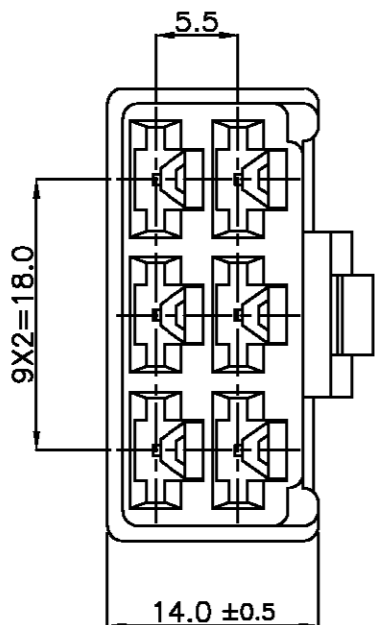


| P | LTR | DESCRIPTION               | DATE    | DWN | APVD |
|---|-----|---------------------------|---------|-----|------|
|   | 0   | RELEASED                  |         |     |      |
|   | 01  | REVISED PER ECO-10-000444 | 08JAN10 | KK  | AEG  |



NOTES:

1. GENERAL TOLERANCES ARE  $\pm 0.2, \pm 1^*$
2. APPLIED CONTACT P/N: 170384, 170032, 170258
3. OBSOLETE PARTS: OBSOLETE CIS STREAMLINING PER D.RENAUD/D.SINISI

|   |                     |         |
|---|---------------------|---------|
|   | 174204-9            | RED     |
|   | 174204-8            | ORANGE  |
| 3 | <del>174204-7</del> | YELLOW  |
|   | 174204-6            | GREY    |
| 3 | <del>174204-5</del> | BLUE    |
|   | 174204-4            | GREEN   |
|   | 174204-3            | BROWN   |
|   | 174204-2            | BLACK   |
|   | 174204-1            | NATURAL |
|   | PART NO             | COLOR   |

|   |  |                              |  |                      |  |
|---|--|------------------------------|--|----------------------|--|
| THIS DRAWING IS A CONTROLLED DOCUMENT FOR AMP INCORPORATED. IT IS SUBJECT TO CHANGE AND THE CONTROLLING ENGINEERING ORGANIZATION SHOULD BE CONTACTED FOR THE LATEST REVISION. |  | DWN                          | <b>AMP</b> AMP KOREA.<br>kyungsan, korea |                      |  |
| DIMENSIONS: MM  |  | CHK                          |  |                      |  |
| TOLERANCES UNLESS OTHERWISE SPECIFIED:<br><br>SEE NOTE  |  | APVD                         | NAME<br>250 6P PLUG HSG                  |                      |  |
| 3rd ANGLE PROJECTION  |  | PRODUCT SPEC                 | SIZE<br>A3                               |                      |  |
| MATERIAL<br>PA66  |  | APPLICATION SPEC<br>114-5052 | CAGE CODE<br>00779                       | DRAWING NO<br>174204 |  |
| FINISH  |  | WEIGHT                       | SCALE 2/1 SHEET 1 OF 1 REV 01            |                      |  |

## X-ON Electronics

Largest Supplier of Electrical and Electronic Components

*Click to view similar products for [Terminals](#) category:*

*Click to view products by [TE Connectivity](#) manufacturer:*

Other Similar products are found below :

[00-054007-01074-6](#) [00-054007-70206-1](#) [00-054007-70210-8](#) [00-054007-70217-7](#) [00-054007-70226-9](#) [00-054007-70228-3](#) [00-054007-70248-1](#) [00-054007-70256-6](#) [00-054007-70301-3](#) [00-054007-70316-7](#) [00-054007-49560-4](#) [00-054007-70209-2](#) [00-054007-70225-2](#) [00-054007-70227-6](#) [00-054007-70231-3](#) [00-054007-70241-2](#) [00-054007-70242-9](#) [00-054007-70244-3](#) [00-054007-70246-7](#) [00-054007-70263-4](#) [00-054007-70288-7](#) [00-054007-70290-0](#) [00-054007-70300-6](#) [00-054007-70304-4](#) [01-2065-1-0216](#) [01-2900-1-04412](#) [00581P0075](#) [600TS-10](#) [60205-1](#) [604200-1](#) [605601-1](#) [60598-1-CUT-TAPE](#) [61314-6-C](#) [61810-3](#) [61-S](#) [61-SN](#) [626-0194](#) [62-NBM-A](#) [62-SN](#) [62-SP](#) [63-S](#) [640179-1](#) [M55155/059I03](#) [M55155/079C01](#) [M55155/099H02](#) [M55155/109H01](#) [M55155/109H02](#) [M55155/12XH05](#) [M55155/16XH02](#) [M55155/29-5S](#)