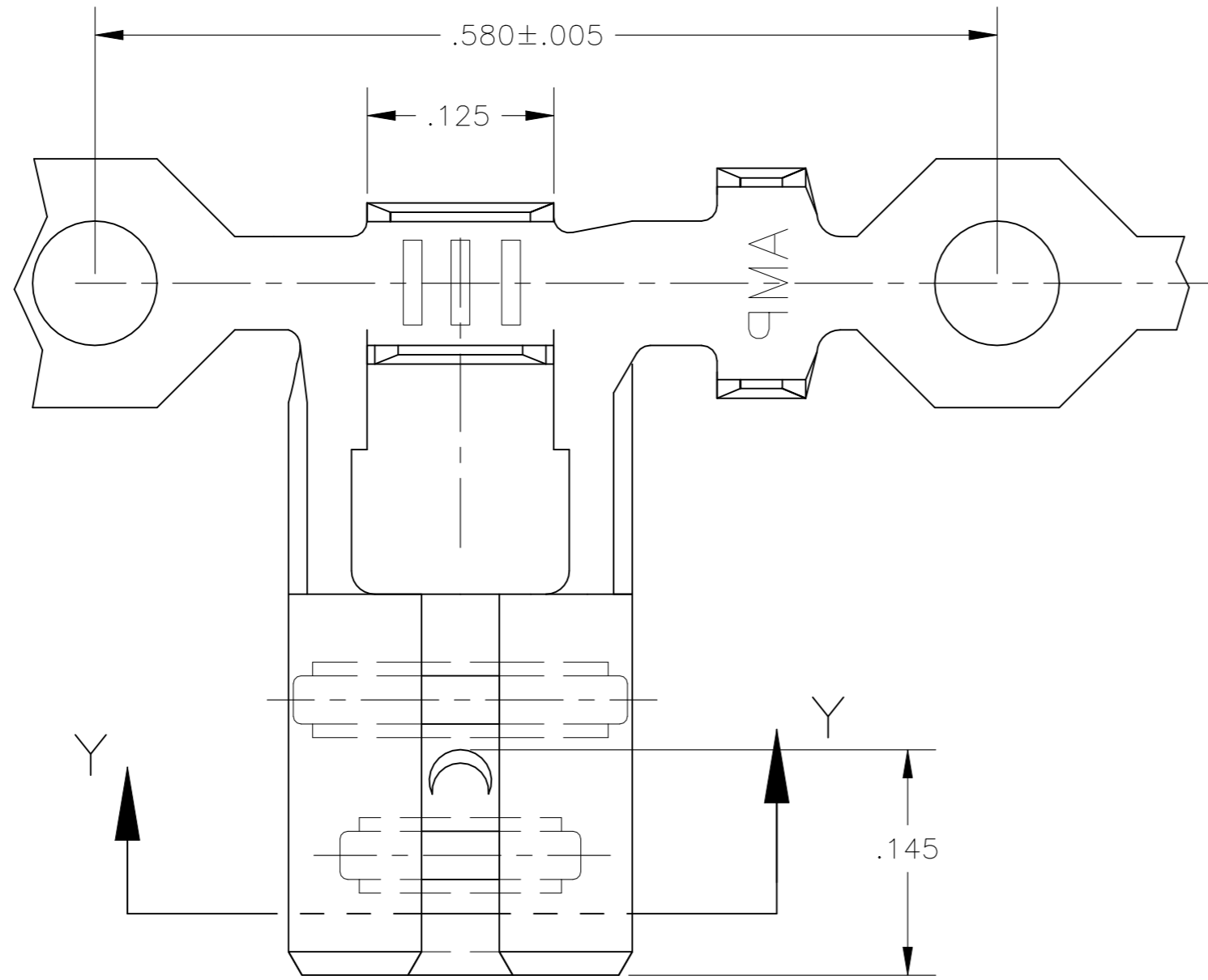
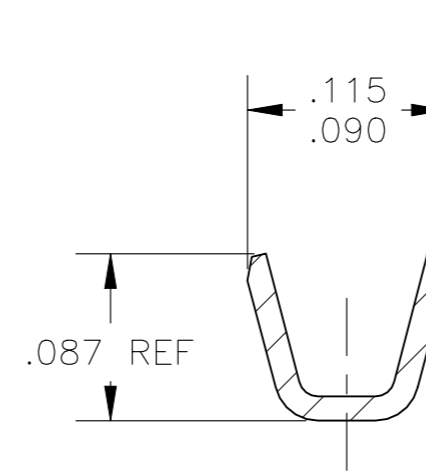


THIS DRAWING IS UNPUBLISHED. RELEASED FOR PUBLICATION
 © COPYRIGHT - By - ALL RIGHTS RESERVED.

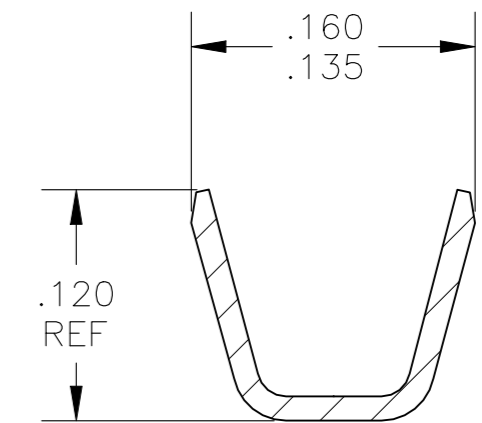
| LOC | DIST | REVISIONS | | | |
|-----|------|---------------------------|-----------|-----|------|
| P | LTR | DESCRIPTION | DATE | DWN | APVD |
| AF | 14 | | | | |
| | D2 | REVISED PER ECR-20-100879 | 25MAR2021 | BDA | AF |



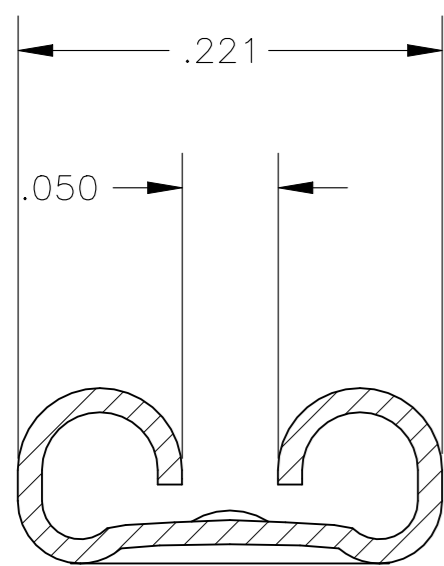
- 1 CONTINUOUS STRIP ON REELS
- 2 WIRE SIZE IS 22-18 AWG
- 3 INSULATION RANGE IS .060-.110 DIA.
- 4 MATING TAB THK IS .032±.001
- 5 PACKAGING REEL O.D. IS 14.000 (REF.)
- 6 UL APPROVAL PENDING



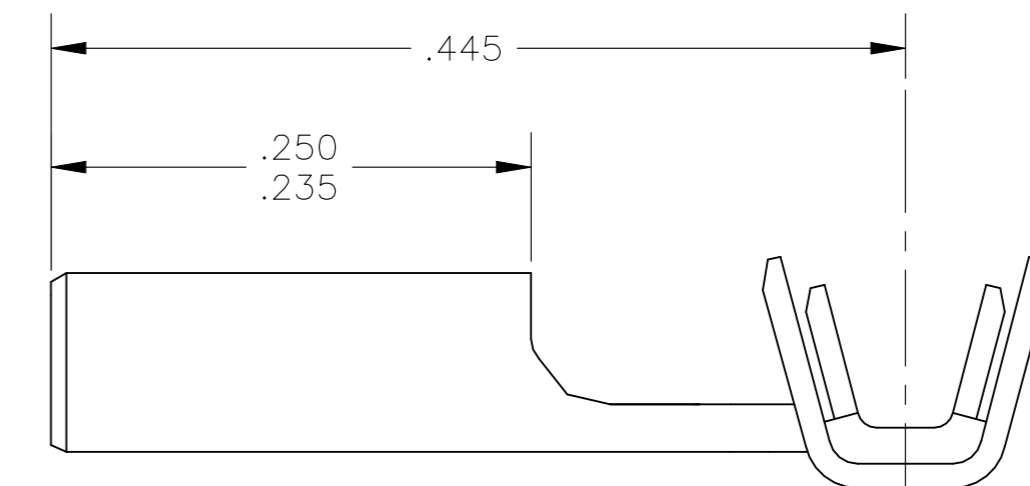
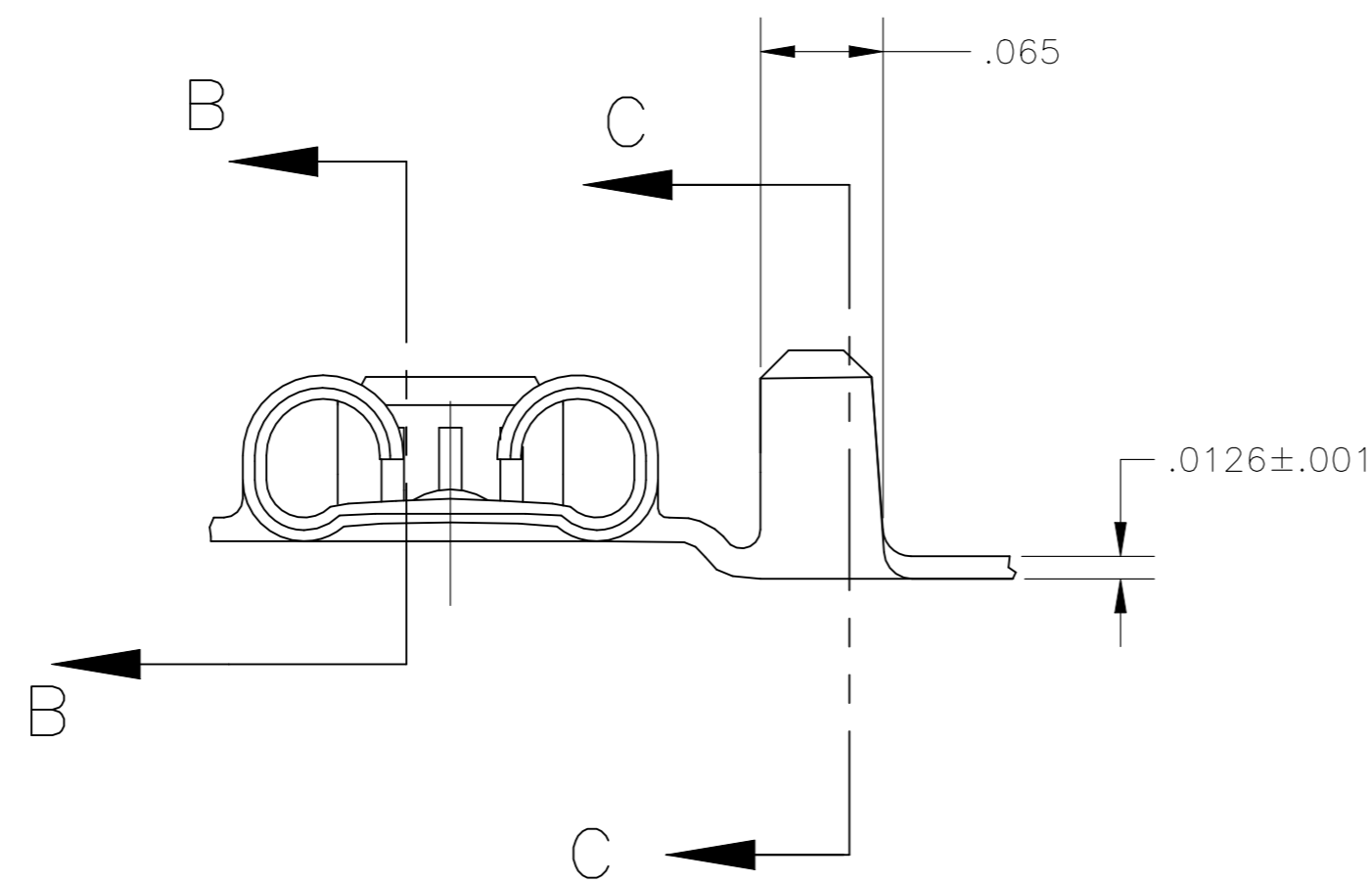
SECTION B-B



SECTION C-C



SECTION Y-Y



| | | | |
|---|---|--------|-----------|
| 6 | 5 | PLAIN | 1742087-3 |
| | | TIN | 1742087-2 |
| | | PLAIN | 1742087-1 |
| | | FINISH | PART NO |

| | | | | | | | |
|--|--------|-------------------|------------|---------------------------------------|----------------------------|------------|---------------|
| THIS DRAWING IS A CONTROLLED DOCUMENT. | | DWN | JR RUTH | 04mar04 | STE TE Connectivity | | |
| DIMENSIONS: INCHES | | CHK | P DESANTIS | 04MAR04 | | | |
| TOLERANCES UNLESS OTHERWISE SPECIFIED: | | APVD | P DESANTIS | 04MAR04 | NAME | | |
| 0 PLC | ± - | PRODUCT SPEC | | RECEPTACLE, FASTON, FLAG, .187 SERIES | | | |
| 1 PLC | ± - | APPLICATION SPEC | | SIZE | CAGE CODE | DRAWING NO | RESTRICTED TO |
| 2 PLC | ± - | 114-2079 | | A2 | 00779 | C=1742087 | - |
| 3 PLC | ± .010 | WEIGHT | | SCALE | | SHEET | REV |
| 4 PLC | ± - | MATERIAL: BRASS | | 10:1 | | 1 of 1 | D2 |
| ANGLES | ± 2° | FINISH: SEE TABLE | | CUSTOMER DRAWING | | | |

X-ON Electronics

Largest Supplier of Electrical and Electronic Components

Click to view similar products for [Terminals](#) category:

Click to view products by [TE Connectivity](#) manufacturer:

Other Similar products are found below :

[00-054007-01074-6](#) [00-054007-70206-1](#) [00-054007-70210-8](#) [00-054007-70217-7](#) [00-054007-70226-9](#) [00-054007-70228-3](#) [00-054007-70248-1](#) [00-054007-70256-6](#) [00-054007-70301-3](#) [00-054007-70316-7](#) [00-054007-49560-4](#) [00-054007-70209-2](#) [00-054007-70225-2](#) [00-054007-70227-6](#) [00-054007-70231-3](#) [00-054007-70241-2](#) [00-054007-70242-9](#) [00-054007-70244-3](#) [00-054007-70246-7](#) [00-054007-70263-4](#) [00-054007-70288-7](#) [00-054007-70290-0](#) [00-054007-70300-6](#) [00-054007-70304-4](#) [01-2065-1-0216](#) [01-2900-1-04412](#) [00581P0075](#) [600TS-10](#) [60205-1](#) [604200-1](#) [605601-1](#) [60598-1-CUT-TAPE](#) [61314-6-C](#) [61810-3](#) [61-S](#) [61-SN](#) [626-0194](#) [62-NBM-A](#) [62-SN](#) [62-SP](#) [63-S](#) [640179-1](#) [M55155/059I03](#) [M55155/079C01](#) [M55155/099H02](#) [M55155/109H01](#) [M55155/109H02](#) [M55155/12XH05](#) [M55155/16XH02](#) [M55155/29-5S](#)