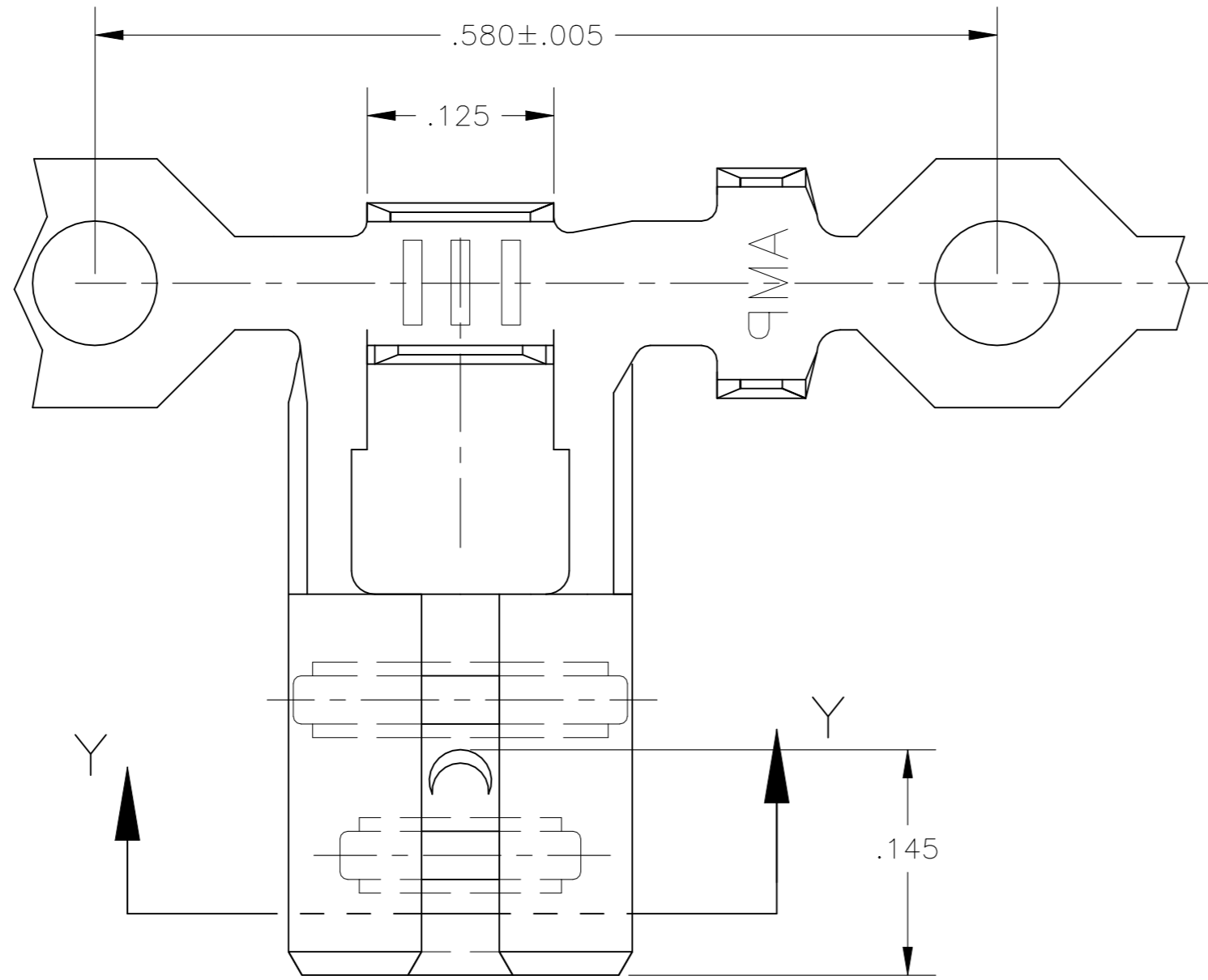
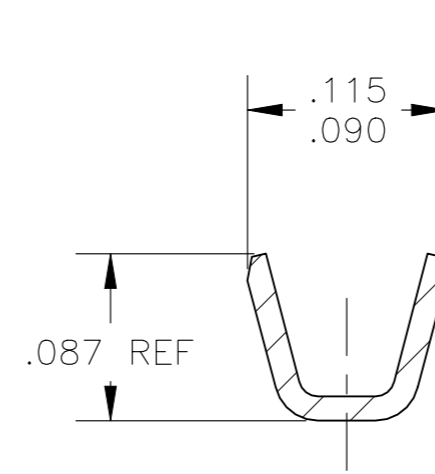


THIS DRAWING IS UNPUBLISHED. RELEASED FOR PUBLICATION  
 © COPYRIGHT - By - ALL RIGHTS RESERVED.

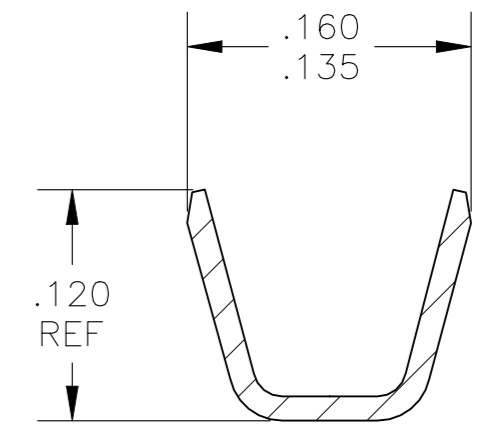
LOC	DIST	REVISIONS			
P	LTR	DESCRIPTION	DATE	DWN	APVD
AF	14				
	D2	REVISED PER ECR-20-100879	25MAR2021	BDA	AF



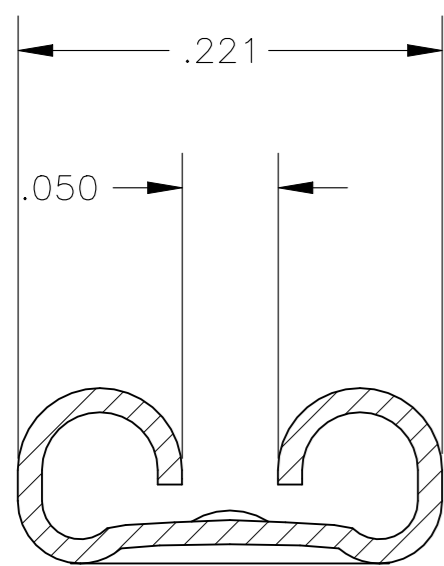
- 1 CONTINUOUS STRIP ON REELS
- 2 WIRE SIZE IS 22-18 AWG
- 3 INSULATION RANGE IS .060-.110 DIA.
- 4 MATING TAB THK IS .032±.001
- 5 PACKAGING REEL O.D. IS 14.000 (REF.)
- 6 UL APPROVAL PENDING



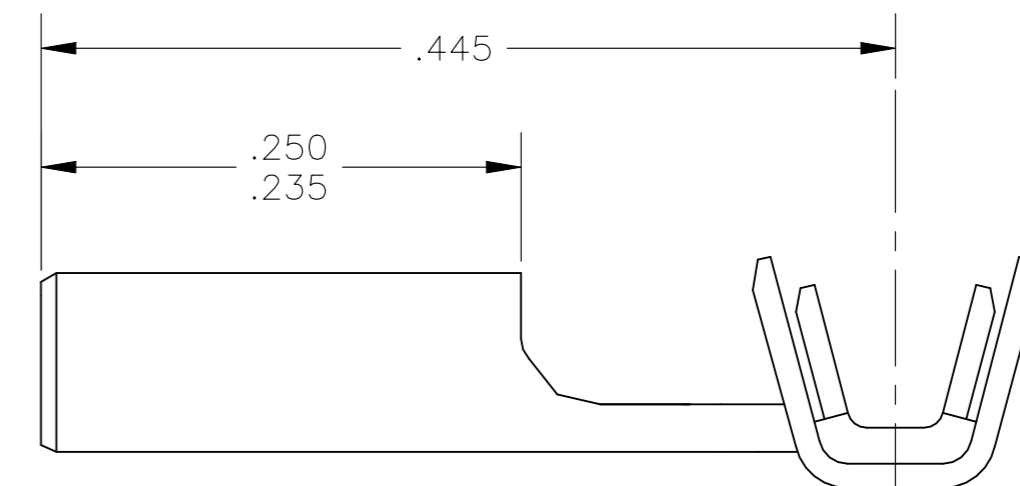
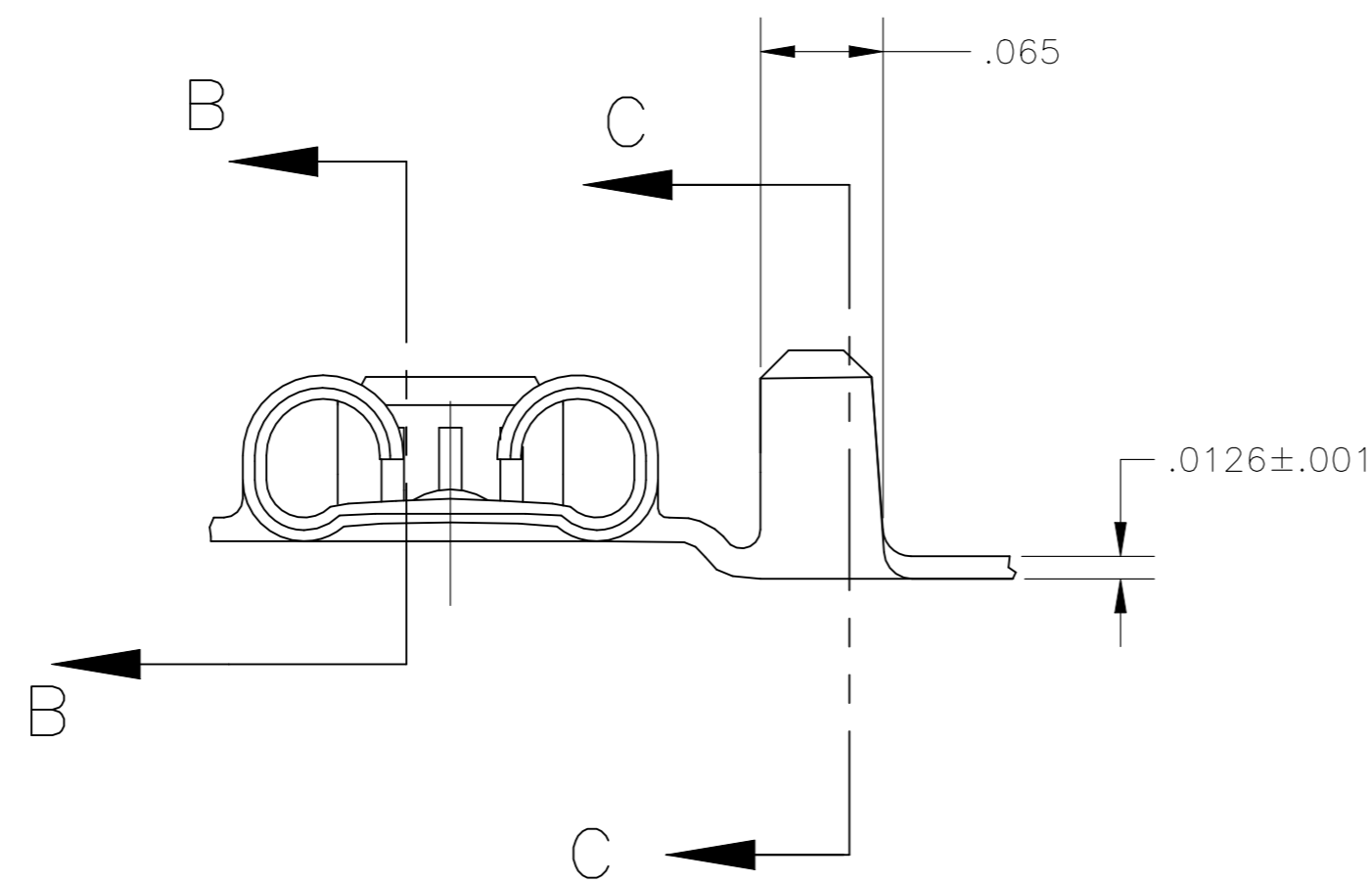
SECTION B-B



SECTION C-C



SECTION Y-Y



6	5	PLAIN	1742087-3
		TIN	1742087-2
		PLAIN	1742087-1
		FINISH	PART NO

THIS DRAWING IS A CONTROLLED DOCUMENT.		DWN	JR RUTH	04mar04	<b>STE</b> TE Connectivity						
DIMENSIONS: INCHES		CHK	P DESANTIS	04MAR04							
TOLERANCES UNLESS OTHERWISE SPECIFIED:		APVD	P DESANTIS	04MAR04	NAME						
0 PLC ± -		PRODUCT SPEC		RECEPTACLE, FASTON, FLAG, .187 SERIES							
1 PLC ± -		APPLICATION SPEC		-							
2 PLC ± -		114-2079		SIZE	A2	CAGE CODE	00779	DRAWING NO	C=1742087	RESTRICTED TO	-
3 PLC ± .010		WEIGHT		SCALE		10:1		SHEET	1 of 1		
4 PLC ± -		MATERIAL		CUSTOMER DRAWING		REV		D2			
ANGLES ± 2°		FINISH		SEE TABLE							
FINISH											

## X-ON Electronics

Largest Supplier of Electrical and Electronic Components

*Click to view similar products for [Terminals](#) category:*

*Click to view products by [TE Connectivity](#) manufacturer:*

Other Similar products are found below :

[00-054007-01074-6](#) [00-054007-70206-1](#) [00-054007-70210-8](#) [00-054007-70217-7](#) [00-054007-70226-9](#) [00-054007-70228-3](#) [00-054007-70248-1](#) [00-054007-70256-6](#) [00-054007-70301-3](#) [00-054007-70316-7](#) [0-0320562-0](#) [00-054007-49560-4](#) [00-054007-70209-2](#) [00-054007-70225-2](#) [00-054007-70227-6](#) [00-054007-70231-3](#) [00-054007-70241-2](#) [00-054007-70242-9](#) [00-054007-70244-3](#) [00-054007-70246-7](#) [00-054007-70263-4](#) [00-054007-70288-7](#) [00-054007-70290-0](#) [00-054007-70300-6](#) [00-054007-70304-4](#) [01-2065-1-0216](#) [01-2900-1-04412](#) [00581P0075](#) [600TS-10](#) [60205-1](#) [604200-1](#) [605601-1](#) [60598-1-CUT-TAPE](#) [61314-6-C](#) [61810-3](#) [61-S](#) [61-SN](#) [626-0194](#) [62-NBM-A](#) [62-SN](#) [62-SP](#) [63-S](#) [640179-1](#) [M55155/059I03](#) [M55155/079C01](#) [M55155/099H02](#) [M55155/109H01](#) [M55155/109H02](#) [M55155/12XH05](#) [M55155/16XH02](#)