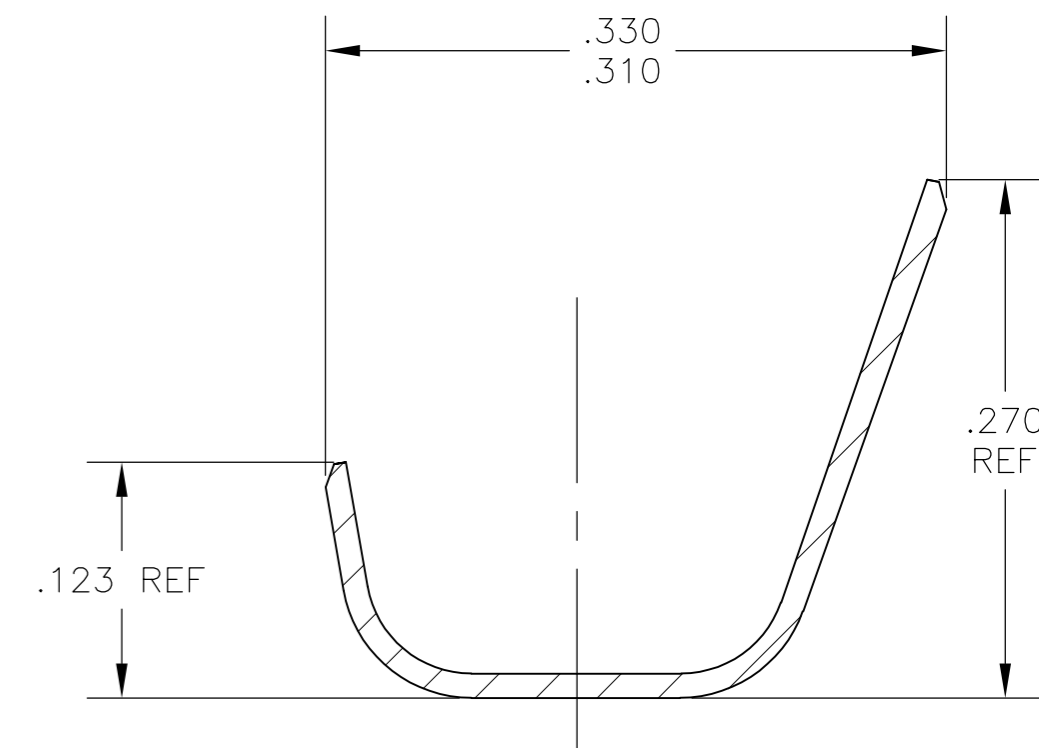
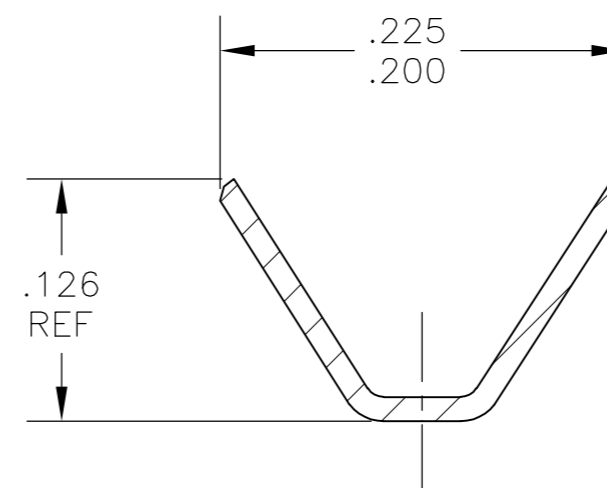
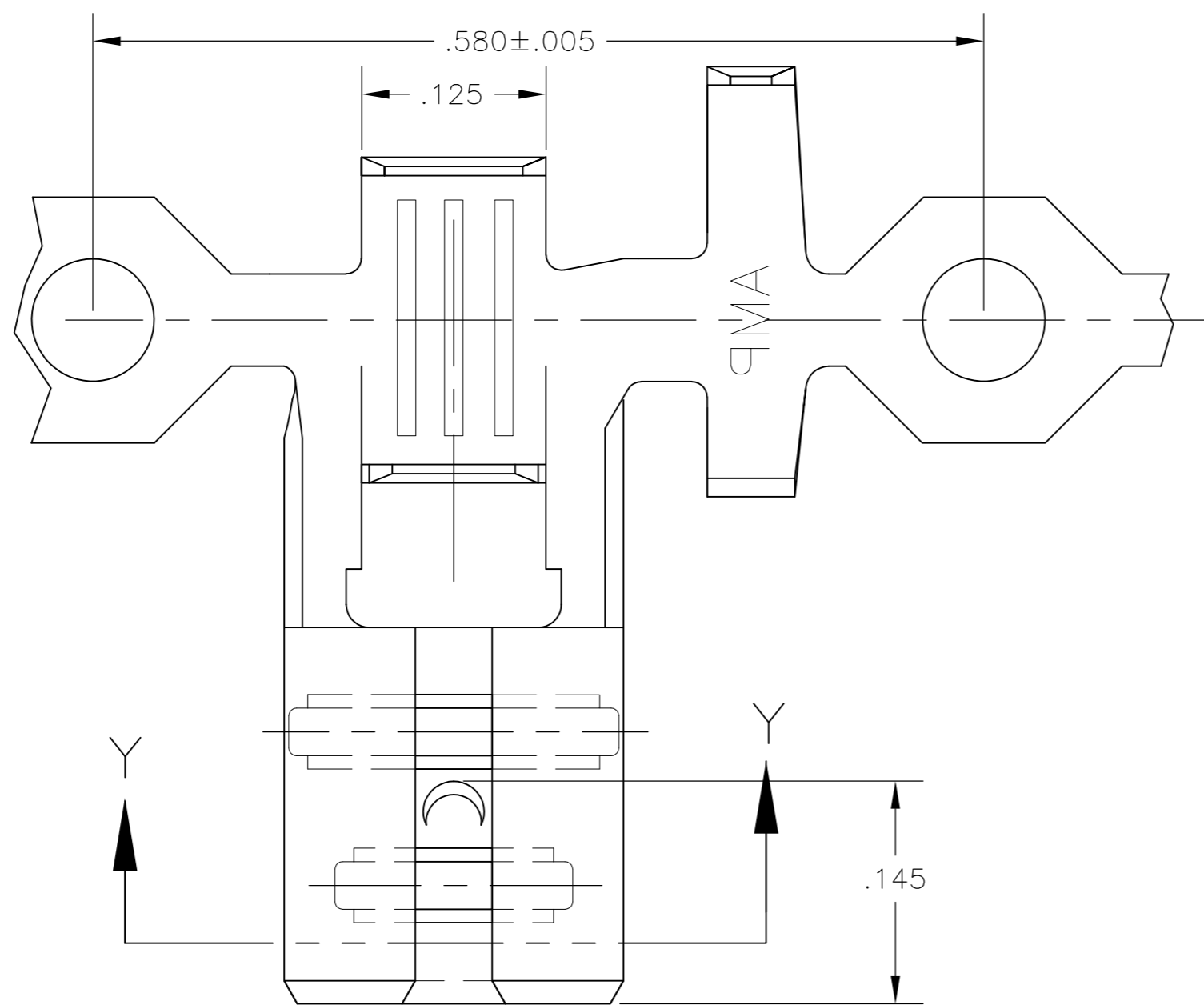


THIS DRAWING IS UNPUBLISHED. RELEASED FOR PUBLICATION  
 © COPYRIGHT - By - ALL RIGHTS RESERVED.

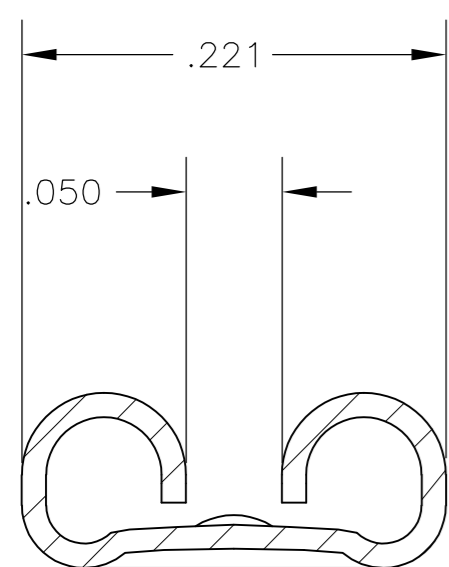
REVISIONS					
P	LTR	DESCRIPTION	DATE	DWN	APVD
	H1	REVISED PER ECR-15-016360	10MAR2016	NK	LP

- 1 CONTINUOUS STRIP ON REELS
- 2 WIRE SIZE IS 18-14 OR TWO 18'S AWG
- 3 INSULATION RANGE IS .110-.150 DIA. OR TWO AT .110 MAX DIA.
- 4 MATING TAB THK IS .020±.001

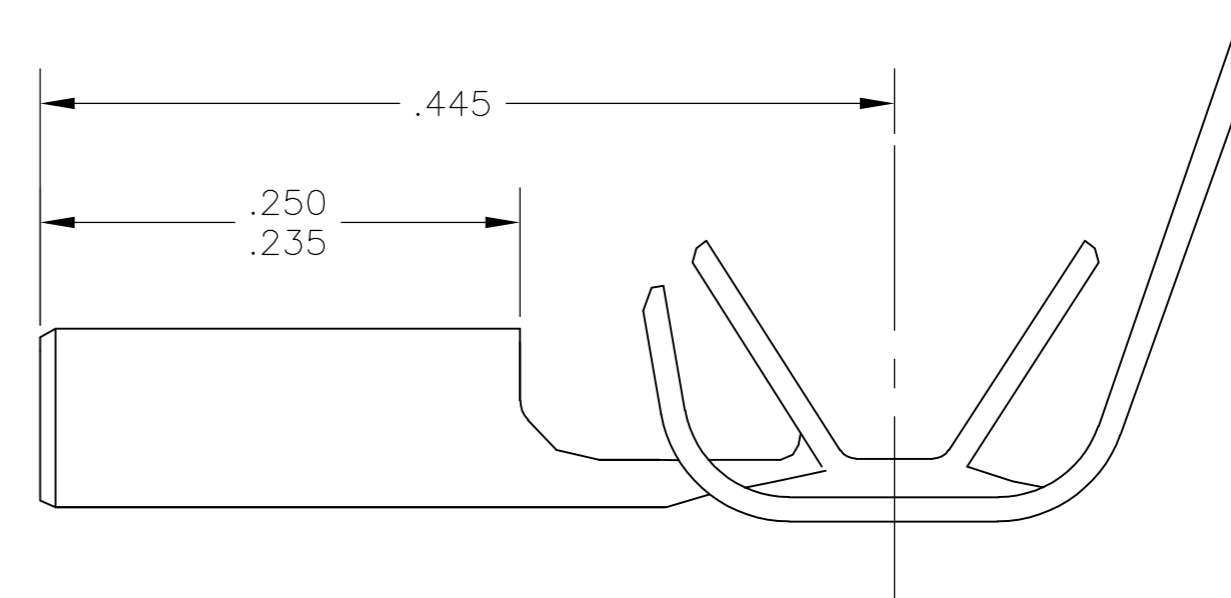
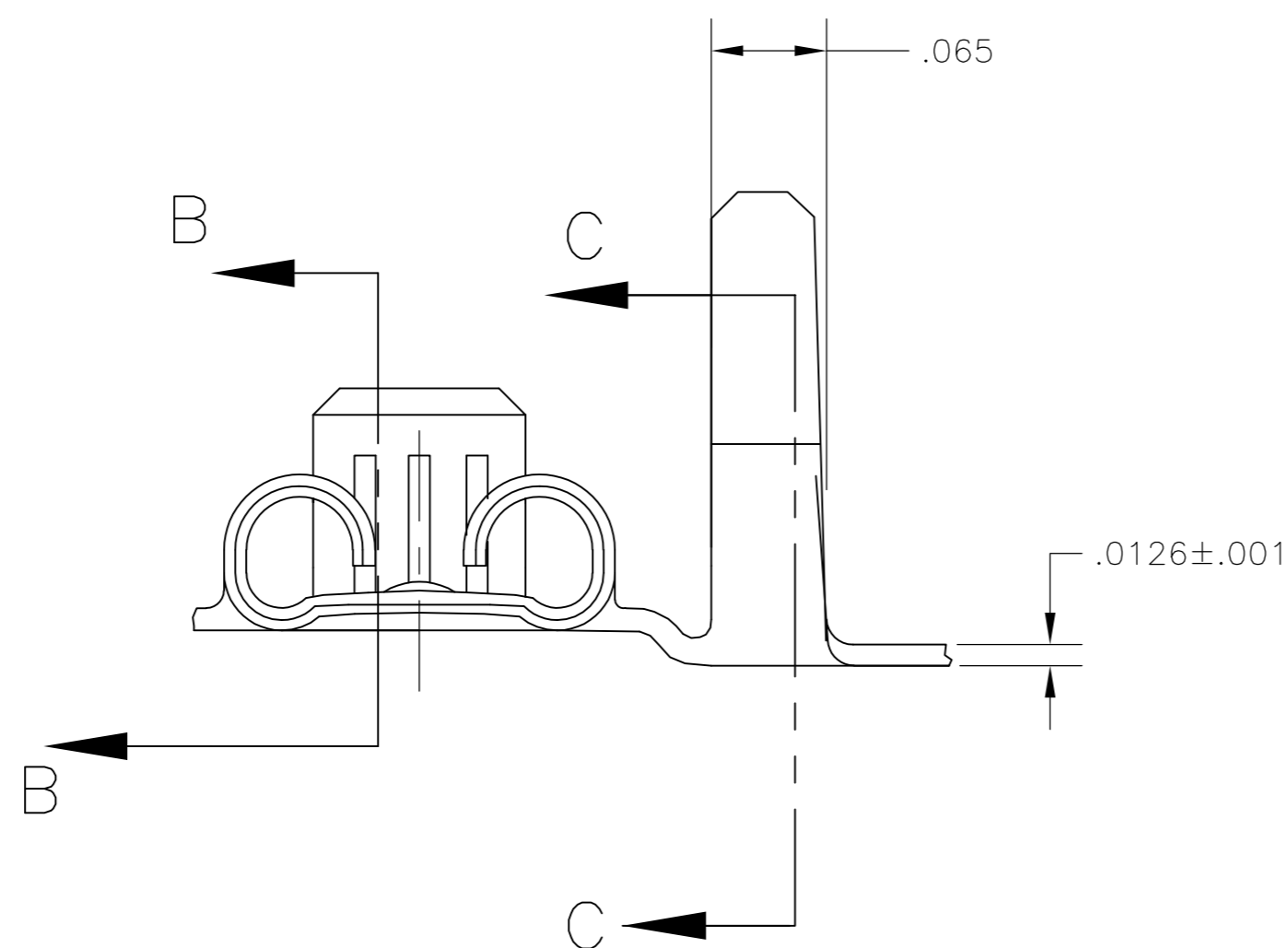


SECTION B-B

SECTION C-C



SECTION Y-Y



	TIN	1742088-2
OBSOLETE	PLAIN	<del>1742088-1</del>
	FINISH	PART NO

THIS DRAWING IS A CONTROLLED DOCUMENT.		DWN	JR RUTH	04mar04	 TE Connectivity	
DIMENSIONS:		CHK	P DESANTIS	04MAR04		
INCHES		APVD	P DESANTIS	04MAR04		
		PRODUCT SPEC				
TOLERANCES UNLESS OTHERWISE SPECIFIED:		APPLICATION SPEC			NAME	RECEPTACLE, FASTON, FLAG, .187 SERIES
0 PLC	± -				SIZE	A2
1 PLC	± -				CAGE CODE	00779
2 PLC	± -				DRAWING NO	C=1742088
3 PLC	± .010				RESTRICTED TO	-
4 PLC	± -				WEIGHT	
ANGLES	± 2°				CUSTOMER DRAWING	
MATERIAL	BRASS	FINISH	-		SCALE	10:1
					SHEET	1 of 1
					REV	H1

## X-ON Electronics

Largest Supplier of Electrical and Electronic Components

*Click to view similar products for [Terminals](#) category:*

*Click to view products by [TE Connectivity](#) manufacturer:*

Other Similar products are found below :

[00-054007-01074-6](#) [00-054007-70206-1](#) [00-054007-70210-8](#) [00-054007-70217-7](#) [00-054007-70226-9](#) [00-054007-70228-3](#) [00-054007-70248-1](#) [00-054007-70256-6](#) [00-054007-70301-3](#) [00-054007-70316-7](#) [0-0320562-0](#) [00-054007-49560-4](#) [00-054007-70209-2](#) [00-054007-70225-2](#) [00-054007-70227-6](#) [00-054007-70231-3](#) [00-054007-70241-2](#) [00-054007-70242-9](#) [00-054007-70244-3](#) [00-054007-70246-7](#) [00-054007-70263-4](#) [00-054007-70288-7](#) [00-054007-70290-0](#) [00-054007-70300-6](#) [00-054007-70304-4](#) [01-2065-1-0216](#) [01-2900-1-04412](#) [00581P0075](#) [600TS-10](#) [60205-1](#) [604200-1](#) [605601-1](#) [60598-1-CUT-TAPE](#) [61314-6-C](#) [61810-3](#) [61-S](#) [61-SN](#) [626-0194](#) [62-NBM-A](#) [62-SN](#) [62-SP](#) [63-S](#) [640179-1](#) [M55155/059I03](#) [M55155/079C01](#) [M55155/099H02](#) [M55155/109H01](#) [M55155/109H02](#) [M55155/12XH05](#) [M55155/16XH02](#)