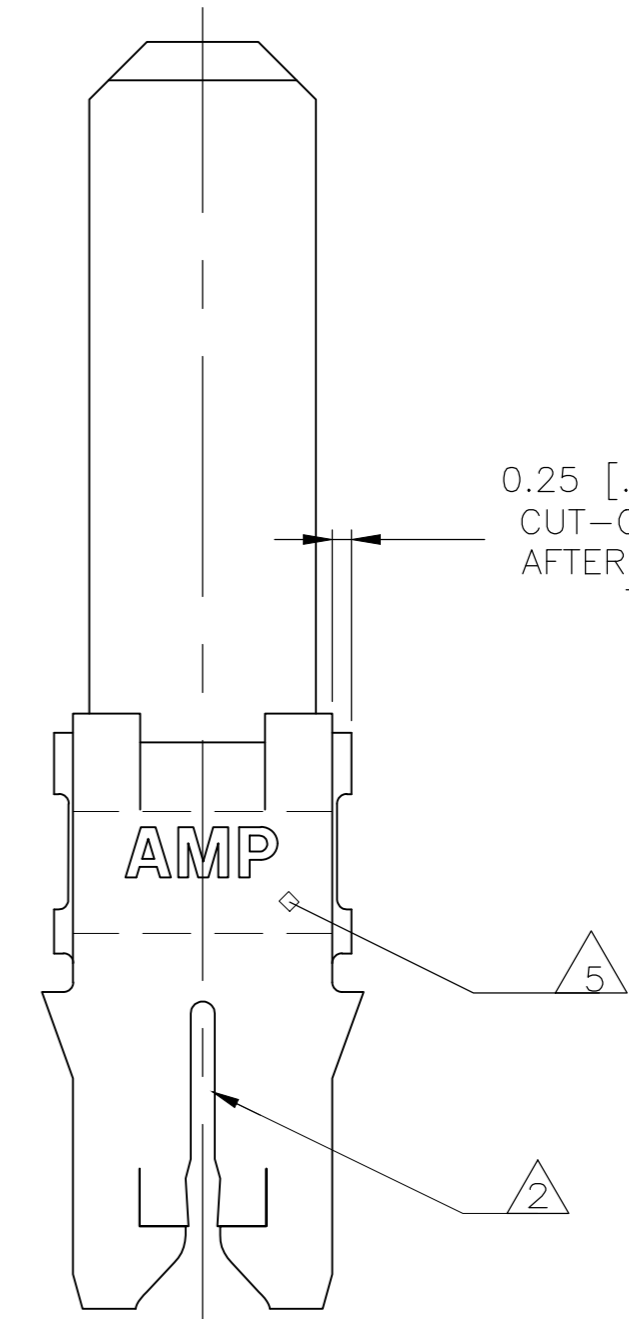
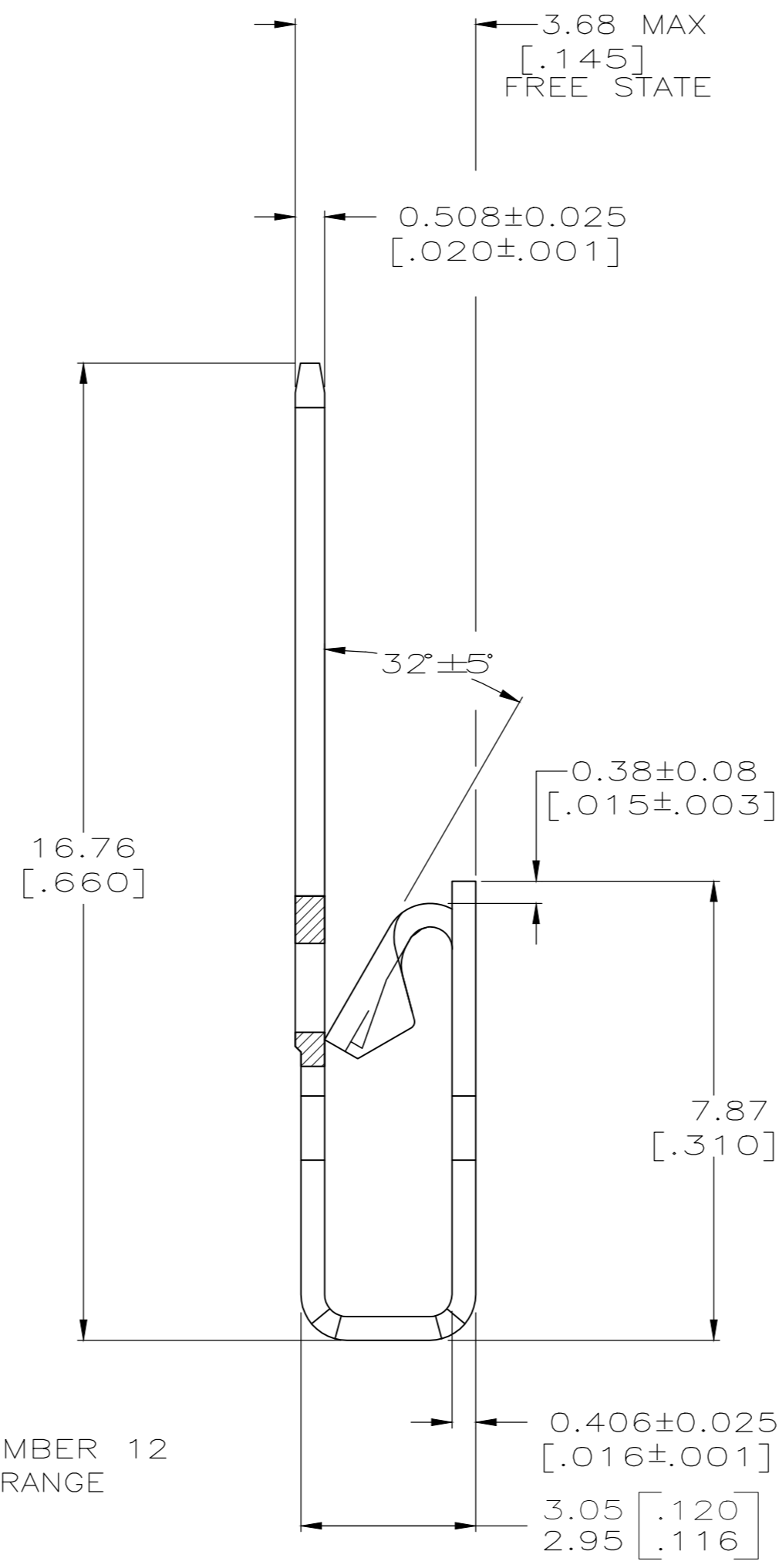
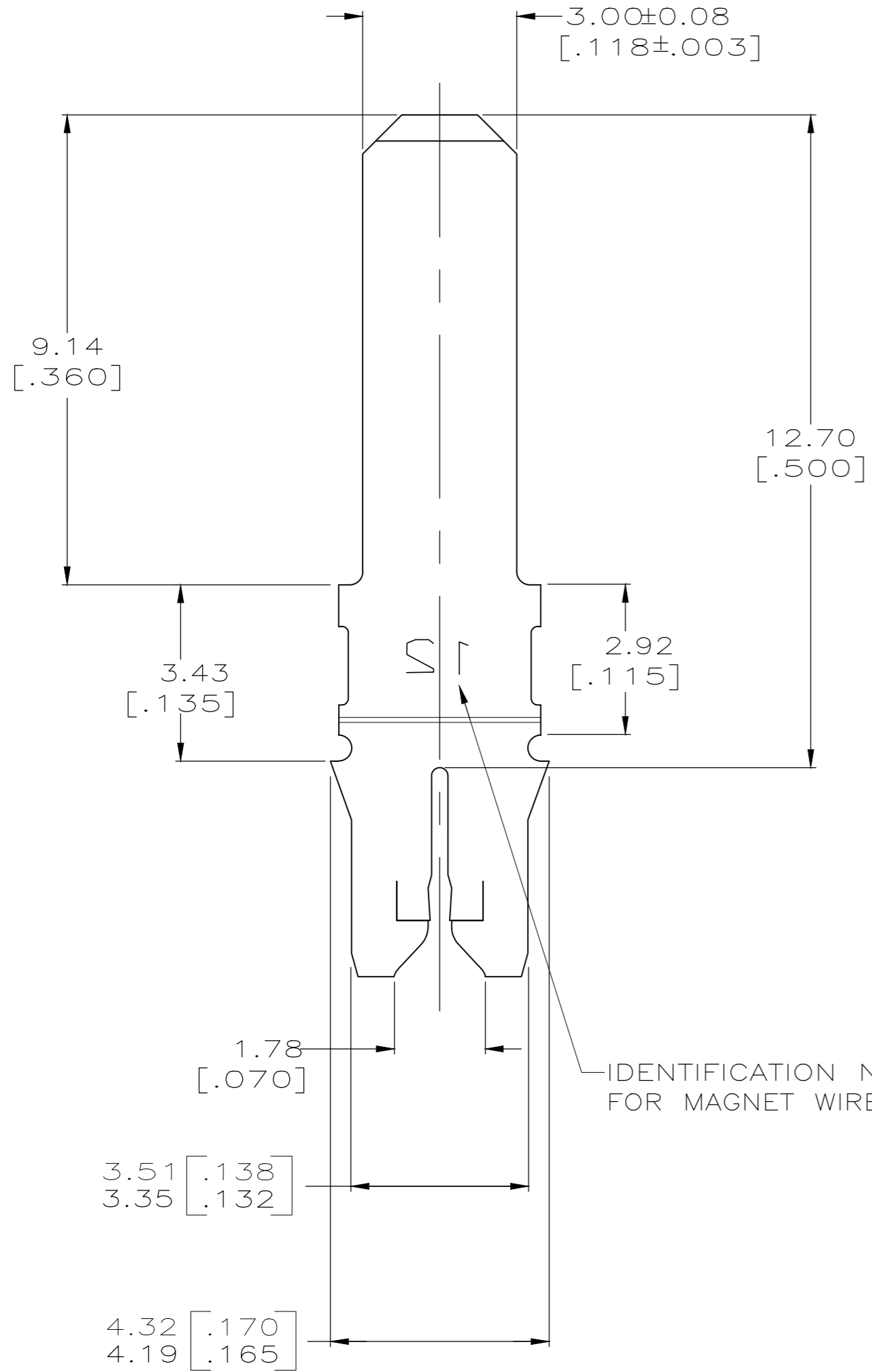
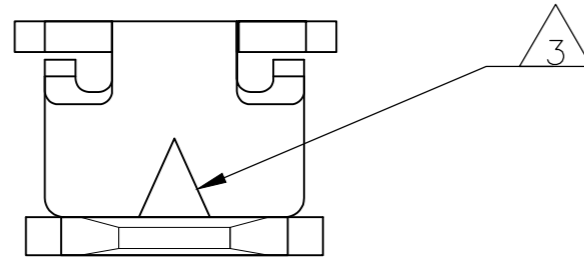


THIS DRAWING IS UNPUBLISHED. RELEASED FOR PUBLICATION  
 © COPYRIGHT BY TYCO ELECTRONICS CORPORATION. ALL RIGHTS RESERVED.

LOC		DIST		REVISIONS			
P	LTR	DESCRIPTION		DATE	DWN	APVD	
	A3	REVISED PER ECR-18-009392		01APR2019	BDA	SV	



IDENTIFICATION NUMBER 12 FOR MAGNET WIRE RANGE

1 SUPPLIED IN LOOSE PIECE

△2 SLOT ACCEPTS 0.45-0.64mm [#25-#22] AWG COPPER MAGNET WIRE. 2 WIRES OF THE SAME SIZE PER SLOT EXCEPT 0.64mm [#22] AWG WHICH IS ONE WIRE ONLY. OR ALUMINIUM WIRE RANGE IS 0.72-0.91mm [#21-#19] AWG SINGLE WIRE ONLY. ALUMINIUM WIRE RANGE APPLIES FOR POST TIN PLATED PART NUMBERS ONLY

△3 POKE-IN ACCEPTS A 0.5-0.8mm [#20-#18] AWG SOLID OR FUSED STRANDED LEAD WIRE.

△4 0.002032 [.000080] MIN TIN

△5 RED COLORING APPLIED TO THIS SURFACE DURING LOOSE PIECE OPERATION TO PROVIDE ORIENTATION FOR PNEUMATIC PRESS TERMINATION PROCESS.

1742136

B

A

1742136-1  
PART NUMBER

THIS DRAWING IS A CONTROLLED DOCUMENT.		DWN	18MAY04	Tyco Electronics Corporation Harrisburg, PA 17105-3608
DIMENSIONS: mm [INCHES]		CHK	18MAY04	
TOLERANCES UNLESS OTHERWISE SPECIFIED:		APVD	18MAY04	
0 PLC ± - 1 PLC ± - 2 PLC ± 0.25[.010] 3 PLC ± - 4 PLC ± - ANGLES ± -		NAME	KURT A. RANDOLPH	
MATERIAL: 4M PRE-MILLED		FINISH	- △4	PRODUCT SPEC: 108-2012 APPLICATION SPEC: 114-2046 WEIGHT: - CUSTOMER DRAWING
SIZE: A2 CAGE CODE: 00779 DRAWING NO: C=1742136 RESTRICTED TO: - SCALE: 10:1 SHEET: 1 OF 1 REV: A3				

## X-ON Electronics

Largest Supplier of Electrical and Electronic Components

*Click to view similar products for [Terminals](#) category:*

*Click to view products by [TE Connectivity](#) manufacturer:*

Other Similar products are found below :

[HT-13-10](#) [71M-250-32-NB](#) [01-2065-1-0216](#) [00581P0075](#) [M10-10RX](#) [M10BCK](#) [60205-1](#) [604200-1](#) [60598-1-CUT-TAPE](#) [60617-1-C](#) [60873-1](#) [M14-516R/SK](#) [M14-6RSX](#) [M18-10FLX](#) [M18-8FBX](#) [M18-8R/LX](#) [M18BCK](#) [61314-6-C](#) [61-S](#) [61-SN-A](#) [62149-1](#) [62-NBM-A](#) [63-S](#) [640179-1](#) [640917-2-CUT-TAPE](#) [6501550002](#) [66107-2-C](#) [66107-4-C](#) [696683-1](#) [696834-1](#) [696861-1](#) [696931-1](#) [696999-1](#) [M8-516RK](#) [M86700006](#) [MA250DMFMX-A](#) [701-2007](#) [701-2307](#) [701-7761-03](#) [70F-110-32-PB](#) [718-N-A](#) [71M-187-20-NBL](#) [71M-250-32-NBL](#) [72F-187-20-NBL](#) [72M-250-32-NBL](#) [7310](#) [73F-250-32](#) [73F-250-32-NBL](#) [73F-250-32-NL](#) [F-1M](#)