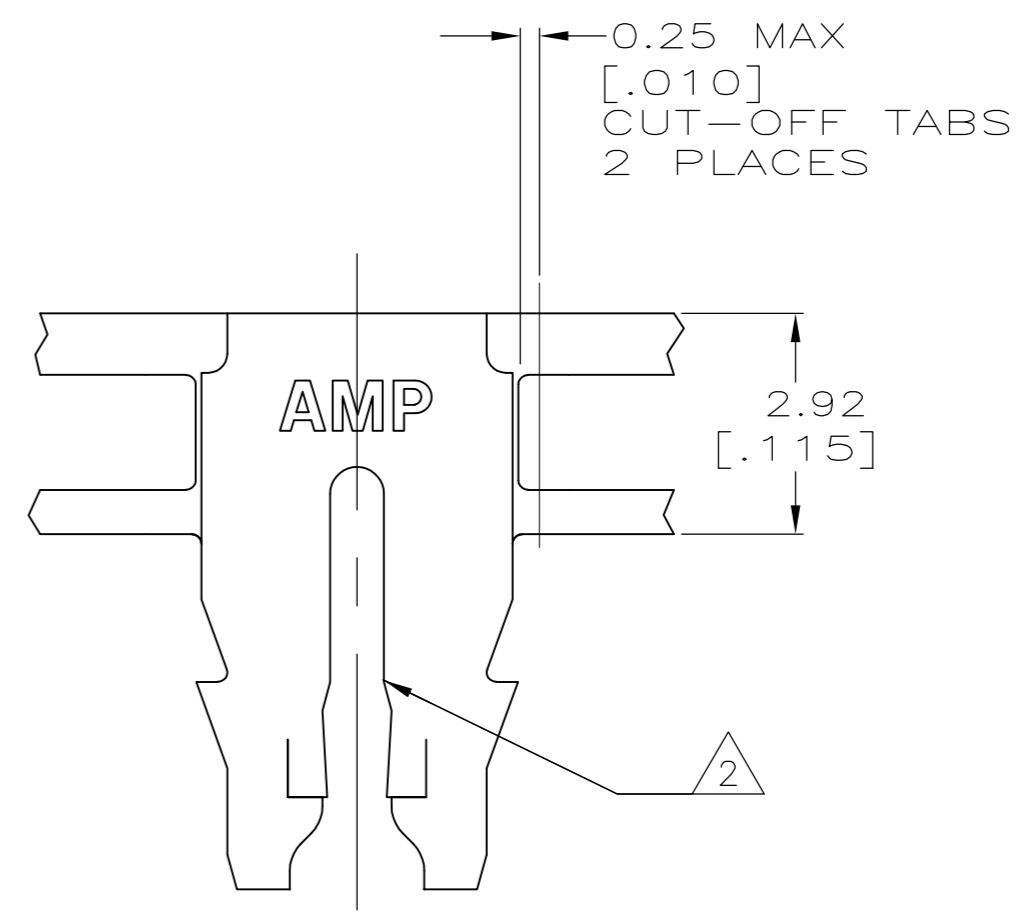
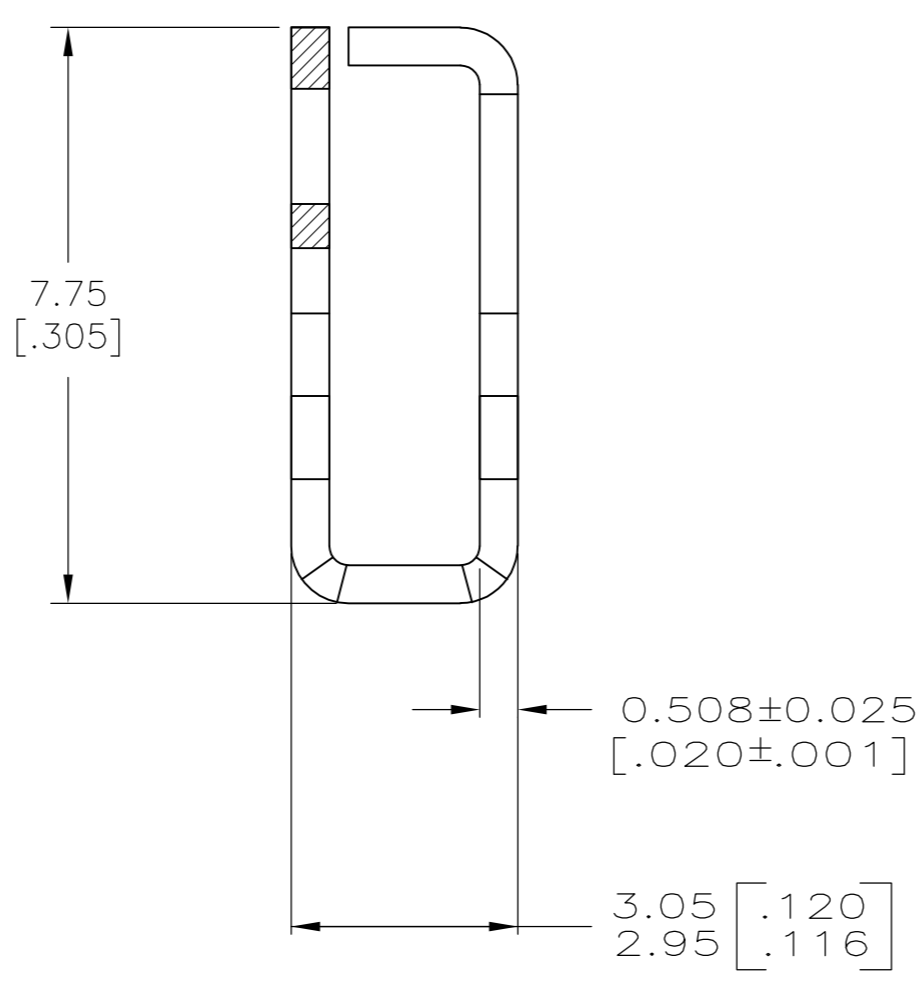
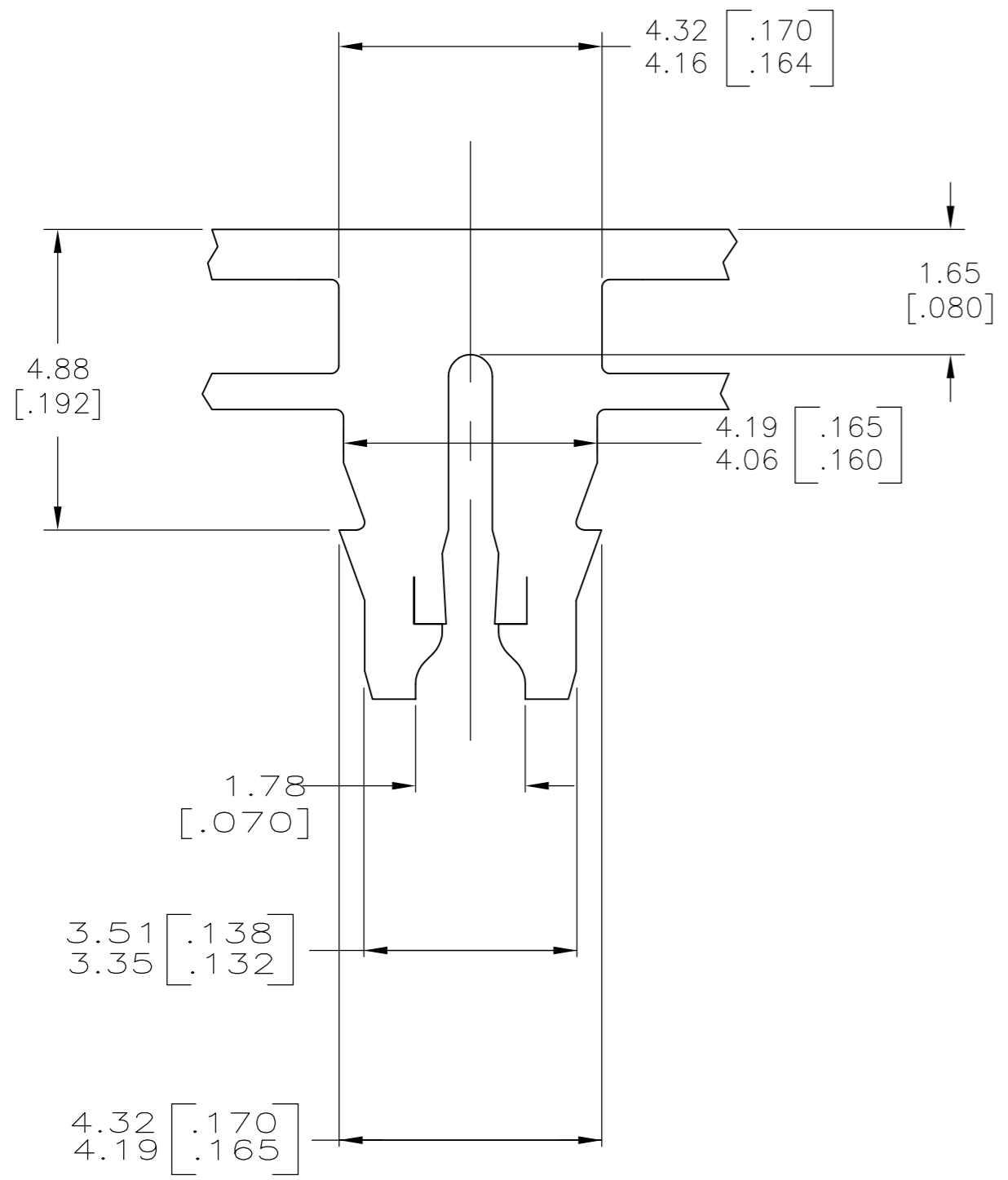
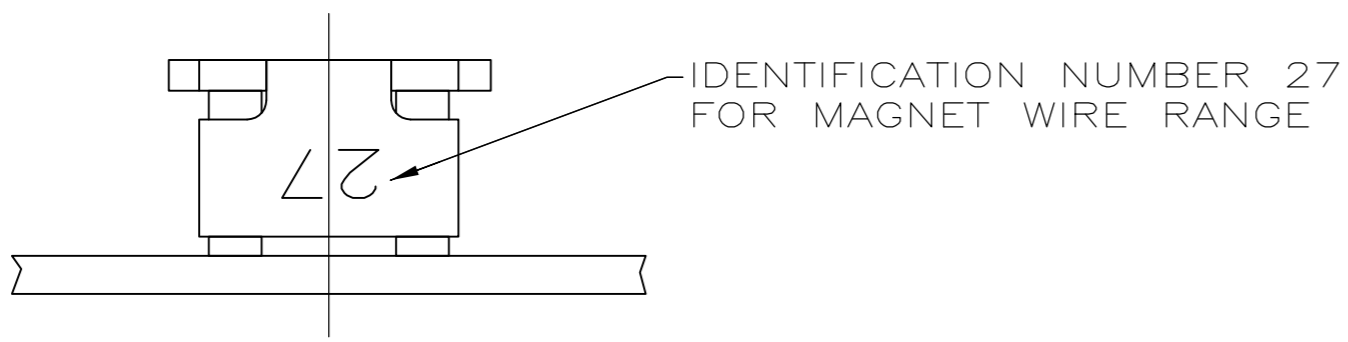


THIS DRAWING IS UNPUBLISHED. RELEASED FOR PUBLICATION
 © COPYRIGHT - By - ALL RIGHTS RESERVED.

| LOC | | DIST | | REVISIONS | | | |
|-----|-----|-------------|---------------|-----------|-----|------|--|
| P | LTR | DESCRIPTION | | DATE | DWN | APVD | |
| AF | 50 | C5 | ECR-13-016672 | 25OCT13 | PKS | RRP | |

- 1 CONTINUOUS STRIP ON REELS WITH TERMINALS LOCATED ON 5.59±0.08 [.220±.003] CENTERS.
- 2 SLOT TERMINATES EITHER A SINGLE OR DOUBLE MAGNET WIRE OF THE SAME SIZE AND TYPE. COPPER RANGE: 0.91-1.02mm [#19-#17] AWG.
- 3 SPECIAL CAVITY ANVIL LOCATION REQUIRED 4.83±0.07[.190±.003] REF APPLICATION SPEC 114-2046, SEC. 3.2 NOTE 7 REVISION T OR LATER.



| | |
|----------|-------------|
| REVERSE | 1742159-2 |
| STANDARD | 1742159-1 |
| REELING | PART NUMBER |

| | | | | |
|--|------------------|------------------------------------|---------------------------------------|---------------|
| THIS DRAWING IS A CONTROLLED DOCUMENT. | | DWN 11AUG2004 MICHAEL S. FEHER | TE TE Connectivity | |
| DIMENSIONS: mm [INCHES] | | CHK 11AUG2004 KURT A. RANDOLPH | | |
| TOLERANCES UNLESS OTHERWISE SPECIFIED: | | APVD 11AUG2004 KURT A. RANDOLPH | NAME | |
| 0 PLC ± - | 1 PLC ± - | PRODUCT SPEC | TERMINAL, SPLICE, 300 SERIES MAG-MATE | |
| 2 PLC ± 0.25 [.010] | 3 PLC ± - | APPLICATION SPEC | SIZE | CAGE CODE |
| 4 PLC ± - | ANGLES ± - | 114-2046 3 | A2 | 00779 |
| MATERIAL BRASS | FINISH TIN PLATE | WEIGHT - | DRAWING NO | RESTRICTED TO |
| | | CUSTOMER DRAWING | SCALE 10:1 | SHEET 1 OF 1 |
| | | | REV C5 | |

1742159

X-ON Electronics

Largest Supplier of Electrical and Electronic Components

Click to view similar products for [Terminals](#) category:

Click to view products by [TE Connectivity](#) manufacturer:

Other Similar products are found below :

[00-054007-01074-6](#) [00-054007-70206-1](#) [00-054007-70210-8](#) [00-054007-70217-7](#) [00-054007-70226-9](#) [00-054007-70228-3](#) [00-054007-70248-1](#) [00-054007-70256-6](#) [00-054007-70301-3](#) [00-054007-70316-7](#) [00-054007-49560-4](#) [00-054007-70209-2](#) [00-054007-70225-2](#) [00-054007-70227-6](#) [00-054007-70231-3](#) [00-054007-70241-2](#) [00-054007-70242-9](#) [00-054007-70244-3](#) [00-054007-70246-7](#) [00-054007-70263-4](#) [00-054007-70288-7](#) [00-054007-70290-0](#) [00-054007-70300-6](#) [00-054007-70304-4](#) [01-2065-1-0216](#) [01-2900-1-04412](#) [00581P0075](#) [600TS-10](#) [60205-1](#) [604200-1](#) [605601-1](#) [60598-1-CUT-TAPE](#) [61314-6-C](#) [61810-3](#) [61-S](#) [61-SN](#) [626-0194](#) [62-NBM-A](#) [62-SN](#) [62-SP](#) [63-S](#) [640179-1](#) [M55155/059I03](#) [M55155/079C01](#) [M55155/099H02](#) [M55155/109H01](#) [M55155/109H02](#) [M55155/12XH05](#) [M55155/16XH02](#) [M55155/29-5S](#)