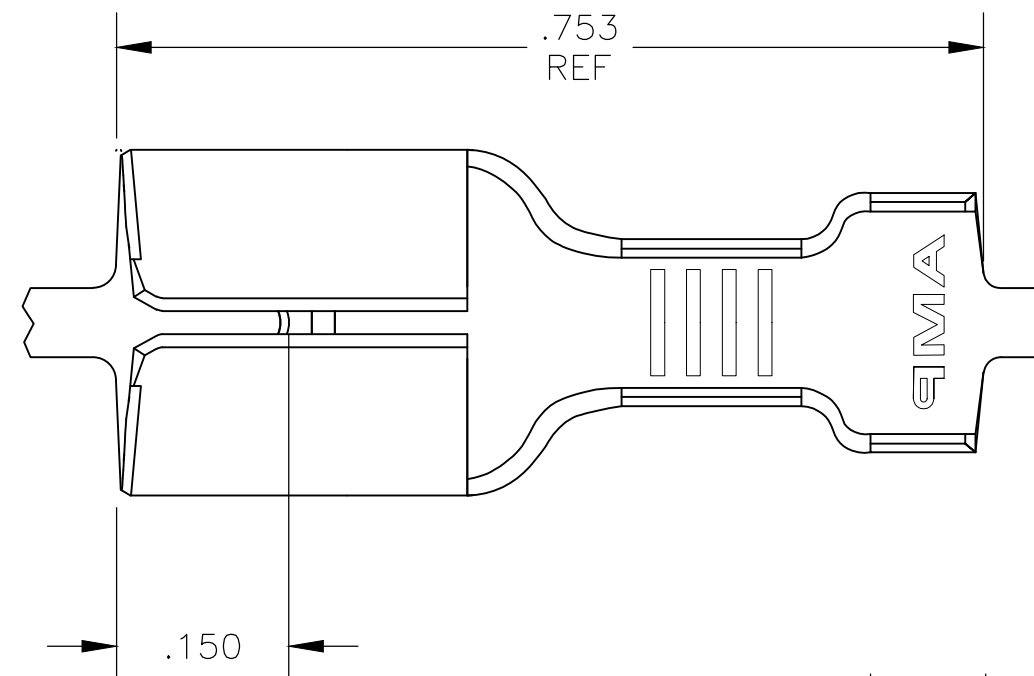
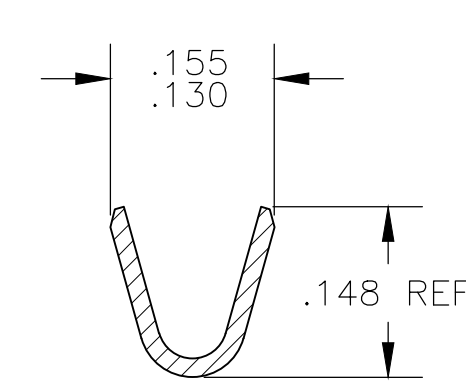
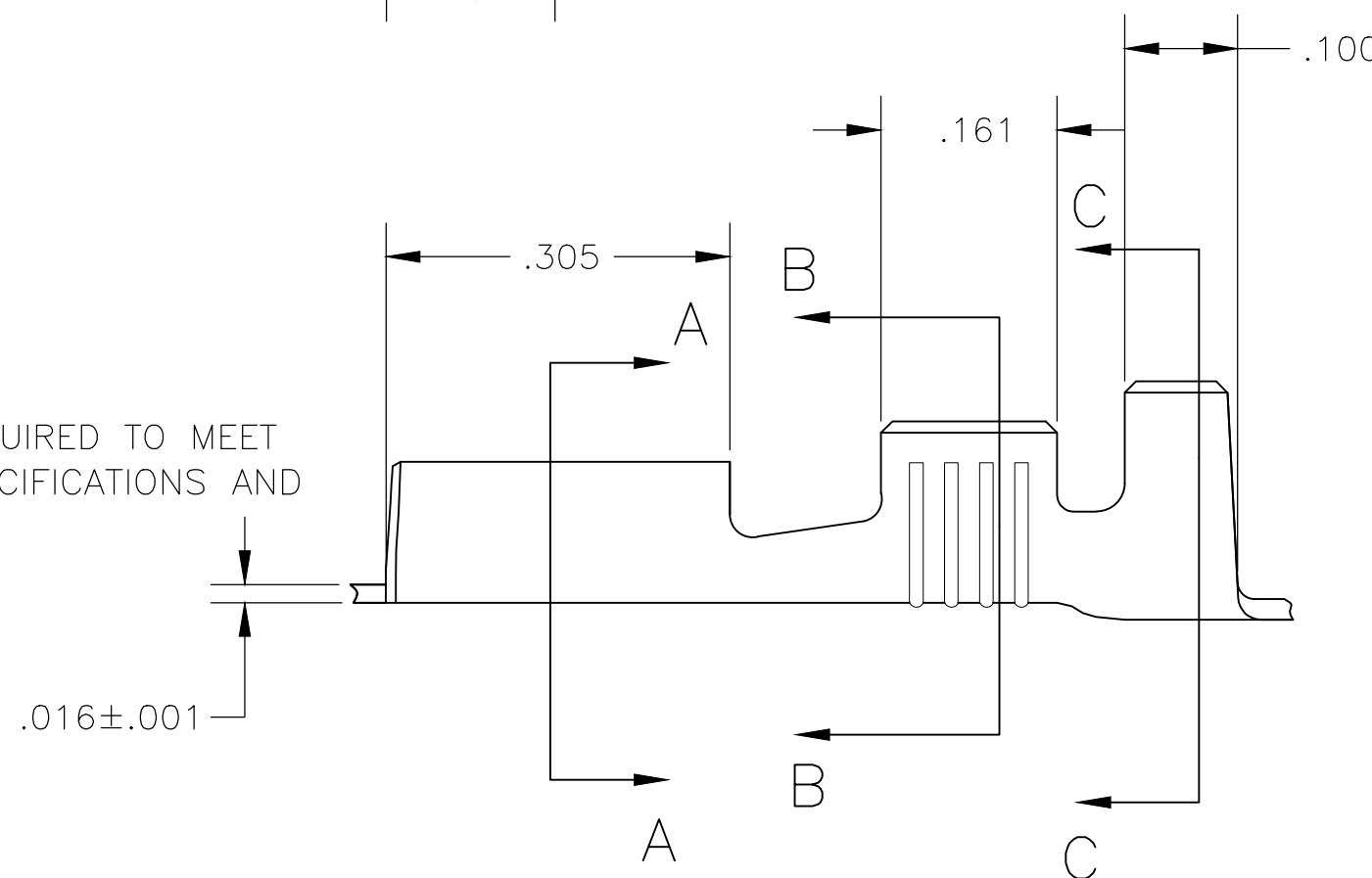
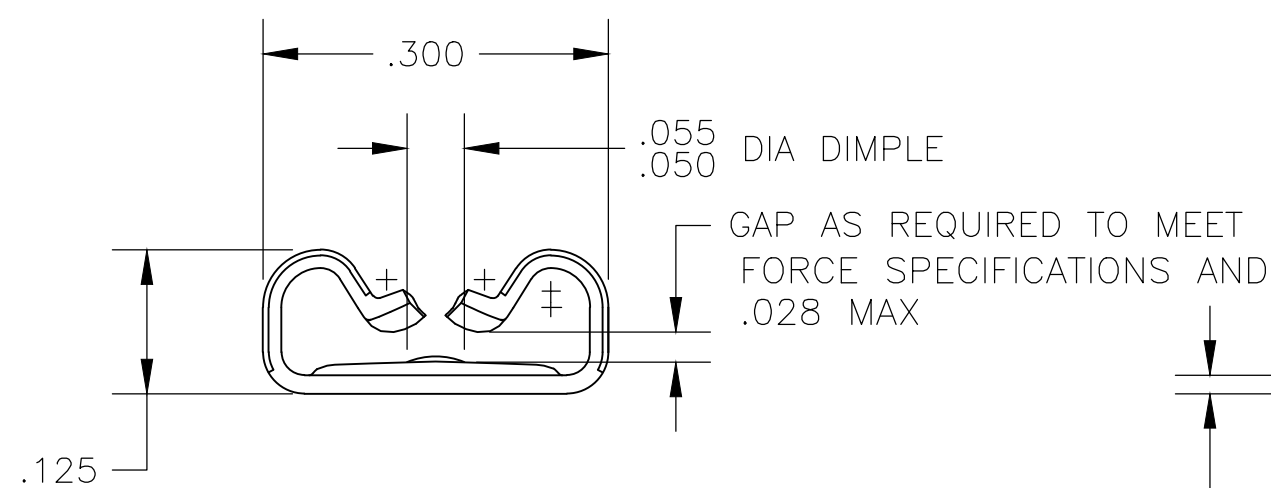


THIS DRAWING IS UNPUBLISHED. RELEASED FOR PUBLICATION
 © COPYRIGHT - By - ALL RIGHTS RESERVED.

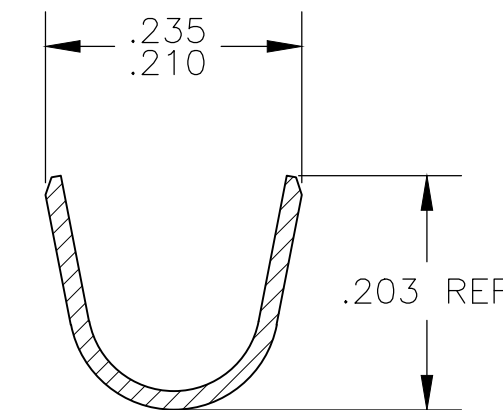
REVISIONS					
P	LTR	DESCRIPTION	DATE	DWN	APVD
C6		REVISED PER ECO-19-018415	10JAN20	DT	TD
C7		REVISED PER ECR-20-009164	13JULY2020	MK	DH



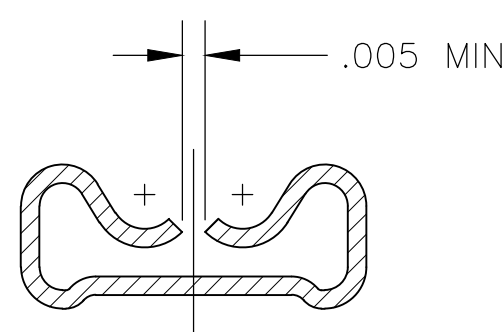
- 1 CONTINUOUS STRIP ON REELS
- 2 WIRE SIZE IS #18-#14 AWG
- 3 INSULATION RANGE IS .120-.170 DIA
- 4 MATING TAB THK IS .033-.030
- 5 UL APPROVED FOR AWG 18-14
- 6 OBSOLETE/SUPERSEDED BY PN 2238196-3
- 7 PRELIMINARY-NOT FOR PRODUCTION
- 8 REELING DIRECTION AS SHOWN:



SECTION B-B



SECTION C-C



SECTION A-A

7	NICKEL PLATE	HOT STEEL	1742198-4
6	TIN	BRASS	1742198-3
5	NICKEL PLATE	HOT STEEL	1742198-1
	FINISH	MATERIAL	PART NO

THIS DRAWING IS A CONTROLLED DOCUMENT.		DWN jr ruth 22OCT04	TE Connectivity	
DIMENSIONS: INCHES		CHK B FLAIG 22OCT04	RECEPTACLE, FASTON, .250 SERIES	
TOLERANCES UNLESS OTHERWISE SPECIFIED:		APVD ED HOWARD 22OCT04	NAME	
0 PLC ± -		PRODUCT SPEC 108-5178	SIZE	
1 PLC ± -		APPLICATION SPEC 114-2036	CAGE CODE	
2 PLC ± -		WEIGHT	DRAWING NO	
3 PLC ± .010			RESTRICTED TO	
4 PLC ± -			A2 00779 C=1742198	
ANGLES ± 5°			SCALE 6:1 SHEET 1 of 1 REV C7	
MATERIAL SEE TABLE	FINISH SEE TABLE	CUSTOMER DRAWING		

X-ON Electronics

Largest Supplier of Electrical and Electronic Components

Click to view similar products for [Terminals](#) category:

Click to view products by [TE Connectivity](#) manufacturer:

Other Similar products are found below :

[00-054007-01074-6](#) [00-054007-70206-1](#) [00-054007-70210-8](#) [00-054007-70217-7](#) [00-054007-70226-9](#) [00-054007-70228-3](#) [00-054007-70248-1](#) [00-054007-70256-6](#) [00-054007-70301-3](#) [00-054007-70316-7](#) [0-0320562-0](#) [00-054007-49560-4](#) [00-054007-70209-2](#) [00-054007-70225-2](#) [00-054007-70227-6](#) [00-054007-70231-3](#) [00-054007-70241-2](#) [00-054007-70242-9](#) [00-054007-70244-3](#) [00-054007-70246-7](#) [00-054007-70263-4](#) [00-054007-70288-7](#) [00-054007-70290-0](#) [00-054007-70300-6](#) [00-054007-70304-4](#) [01-2065-1-0216](#) [01-2900-1-04412](#) [00581P0075](#) [600TS-10](#) [60205-1](#) [604200-1](#) [605601-1](#) [60598-1-CUT-TAPE](#) [61314-6-C](#) [61810-3](#) [61-S](#) [61-SN](#) [626-0194](#) [62-NBM-A](#) [62-SN](#) [62-SP](#) [63-S](#) [640179-1](#) [M55155/059I03](#) [M55155/079C01](#) [M55155/099H02](#) [M55155/109H01](#) [M55155/109H02](#) [M55155/12XH05](#) [M55155/16XH02](#)