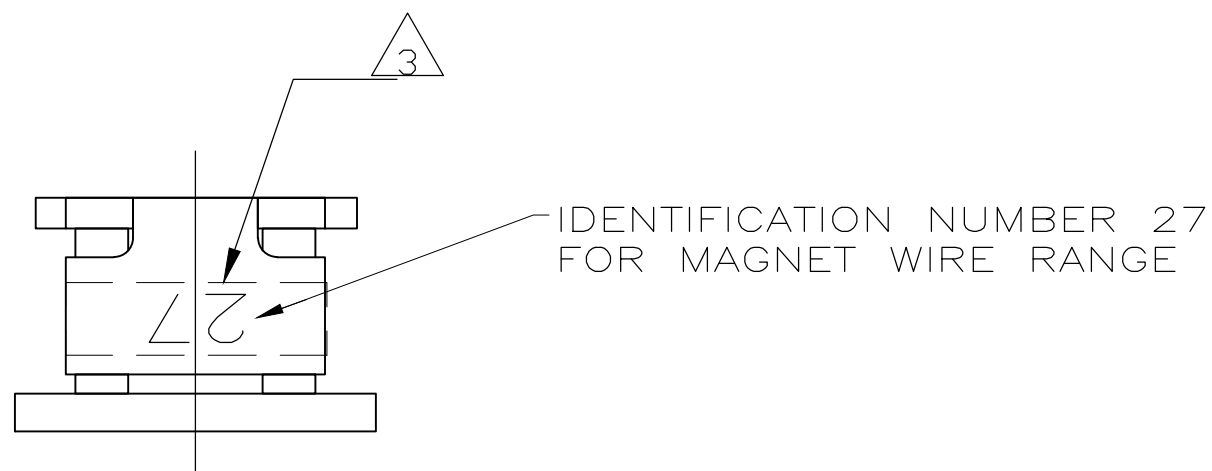
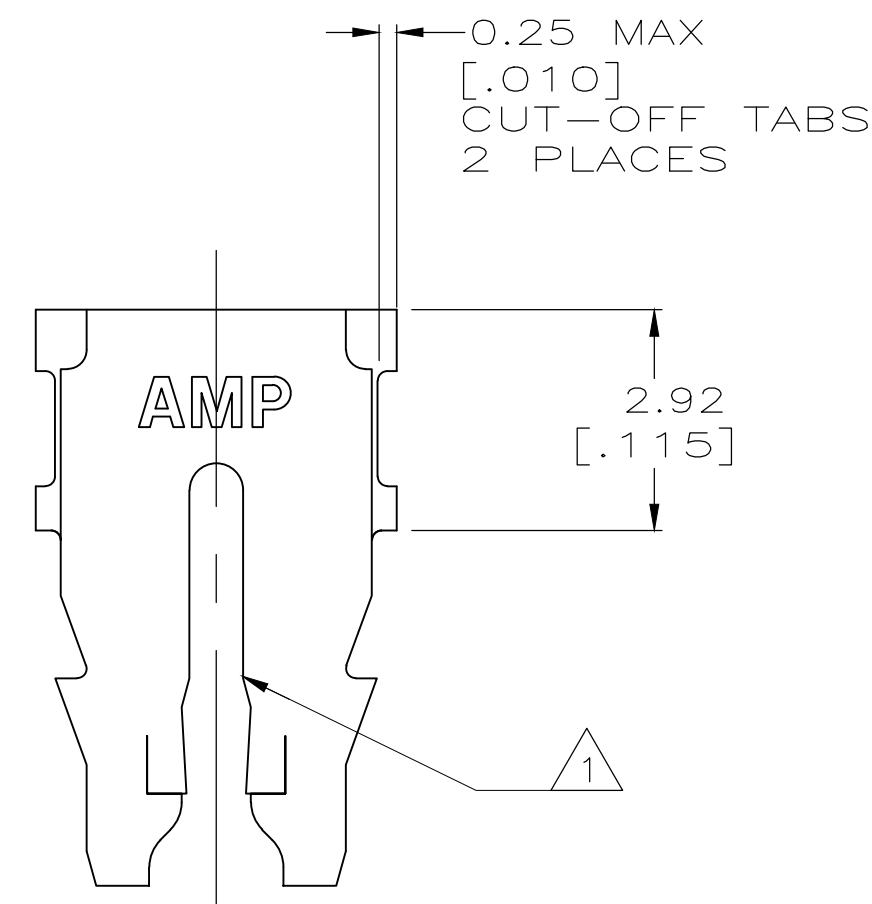
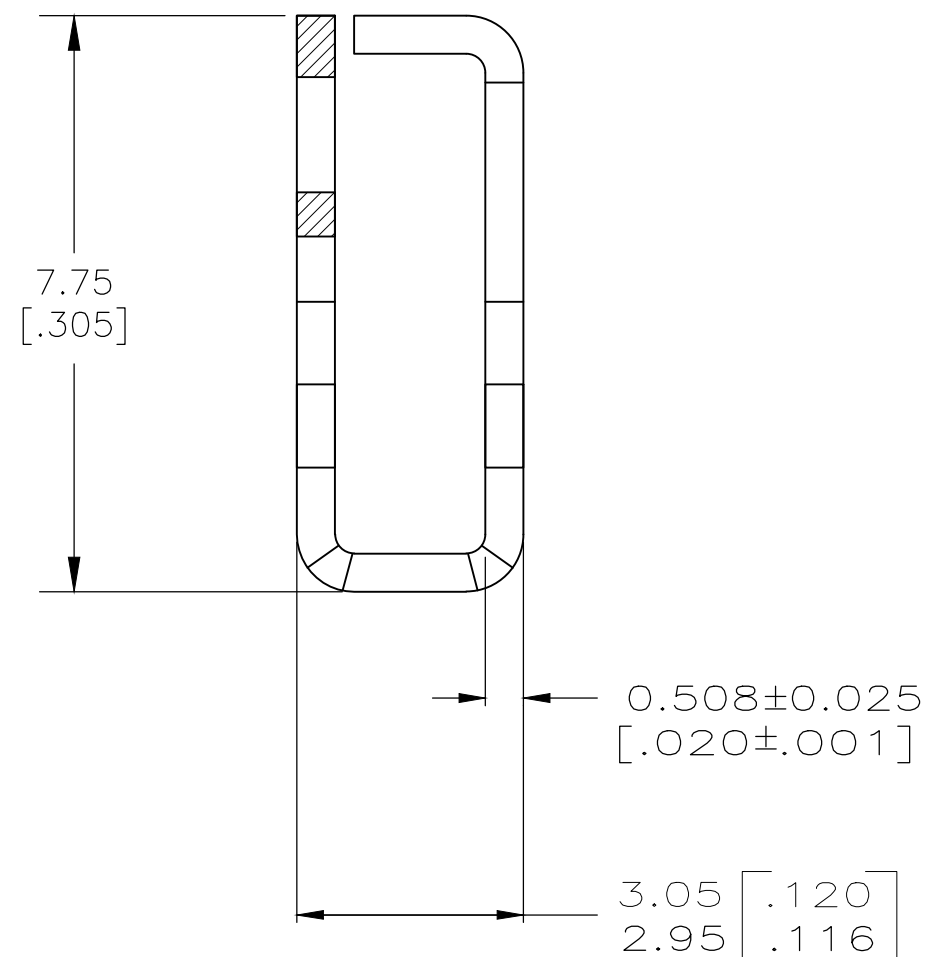
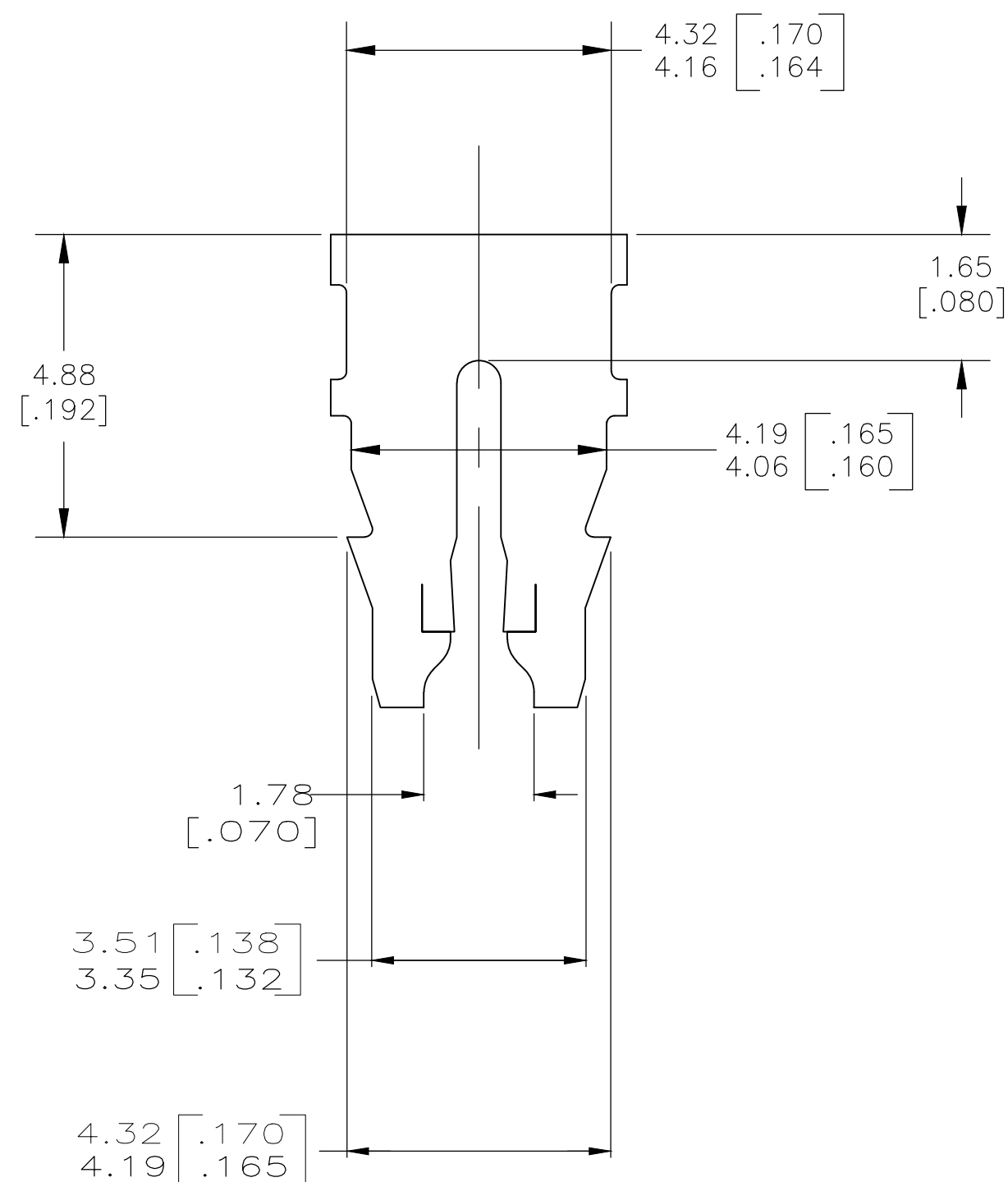


THIS DRAWING IS UNPUBLISHED. RELEASED FOR PUBLICATION
 © COPYRIGHT - TE Connectivity Ltd. ALL RIGHTS RESERVED.

REVISIONS				
P	LTR	DESCRIPTION	DATE	DWN APVD
B1		DRAWING CLARIFICATION ON WIRE RANGE	08FEB2018	SV PKS



- 1 SLOT TERMINATES EITHER A SINGLE OR DOUBLE MAGNET WIRE OF THE SAME SIZE AND TYPE.
COPPER RANGE: 0.91-1.15mm [#19-#17] AWG.
- 2 SPECIAL CAVITY ANVIL LOCATION REQUIRED
4.83±0.07 [.190±.003]. REF APPLICATION SPEC 114-2046, SEC. 3.2, NOTE 7. REVISION T OR LATER.
- 3 ORANGE COLORING APPLIED TO THIS SURFACE DURING LOOSE PIECE OPERATION TO PROVIDE COLOR CODING OF MAGNET WIRE RANGE.



1742240-1
PART NUMBER

THIS DRAWING IS A CONTROLLED DOCUMENT.		DWN 17FEB2005 MICHAEL S. FEHER	TE TE Connectivity	
DIMENSIONS: INCHES		CHK 17FEB2005 KURT A. RANDOLPH		
TOLERANCES UNLESS OTHERWISE SPECIFIED:		APVD 17FEB2005 KURT A. RANDOLPH	NAME	
0 PLC ± -		PRODUCT SPEC	TERMINAL, SPLICE, LOOSE PIECE, 300 SERIES MAG-MATE	
1 PLC ± -		108-2012	-	
2 PLC ± 0.25 [.010]		APPLICATION SPEC	SIZE	CAGE CODE
3 PLC ± -		114-2046 2	A2	00779
4 PLC ± -		WEIGHT	DRAWING NO	RESTRICTED TO
ANGLES ± -		0.000000	C=1742240	-
MATERIAL	FINISH	CUSTOMER DRAWING	SCALE	SHEET
4M BRASS	0.002032 [.000080] MIN TIN PLATE		10:1	1 OF 1
				REV B1

X-ON Electronics

Largest Supplier of Electrical and Electronic Components

Click to view similar products for [Terminals](#) category:

Click to view products by [TE Connectivity](#) manufacturer:

Other Similar products are found below :

[HT-13-10](#) [71M-250-32-NB](#) [01-2065-1-0216](#) [00581P0075](#) [M10-10RX](#) [M10BCK](#) [60205-1](#) [604200-1](#) [60598-1-CUT-TAPE](#) [60617-1-C](#) [60873-1](#) [M14-516R/SK](#) [M14-6RSX](#) [M18-10FLX](#) [M18-8FBX](#) [M18-8R/LX](#) [M18BCK](#) [61314-6-C](#) [61-S](#) [61-SN-A](#) [62-NBM-A](#) [63-S](#) [640179-1](#) [640917-2-CUT-TAPE](#) [6501550002](#) [66107-2-C](#) [66107-4-C](#) [696683-1](#) [696834-1](#) [696861-1](#) [696931-1](#) [696999-1](#) [M8-516RK](#) [M86700006](#) [MA250DMFMX-A](#) [701-2007](#) [701-2307](#) [701-7761-03](#) [70F-110-32-PB](#) [718-N-A](#) [71M-187-20-NBL](#) [71M-250-32-NBL](#) [72F-187-20-NBL](#) [72M-250-32-NBL](#) [7310](#) [73F-250-32](#) [73F-250-32-NBL](#) [73F-250-32-NL](#) [F14-10C](#) [F-1M](#)