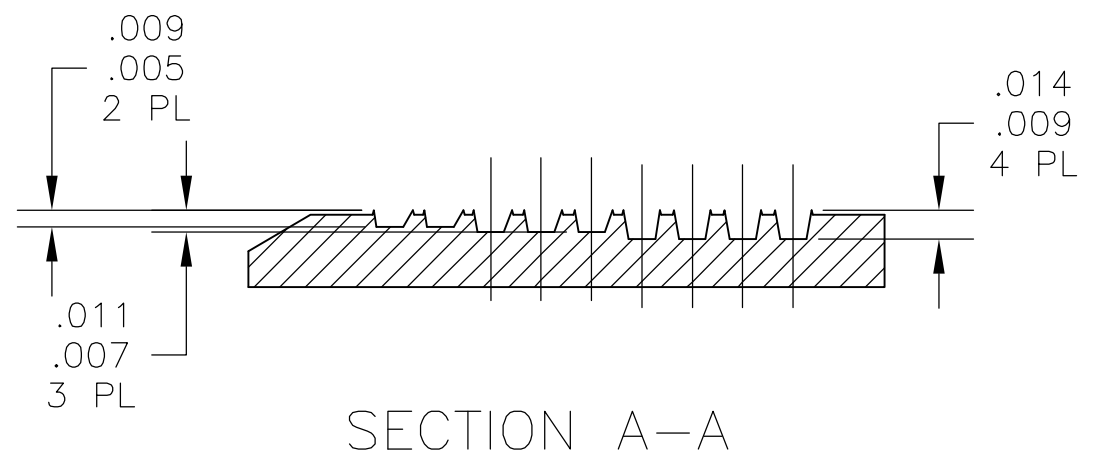
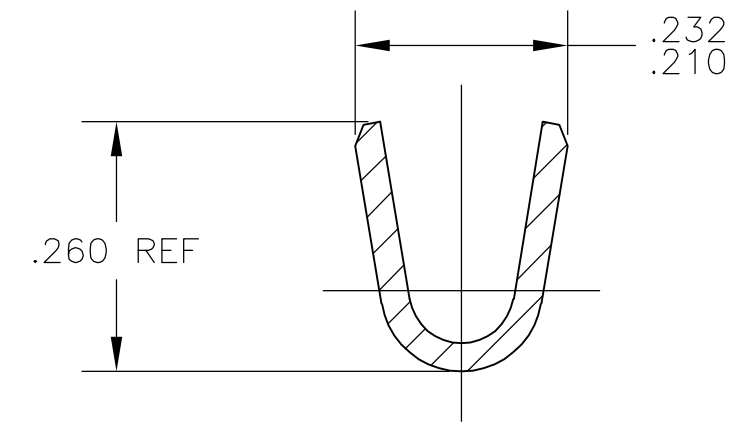
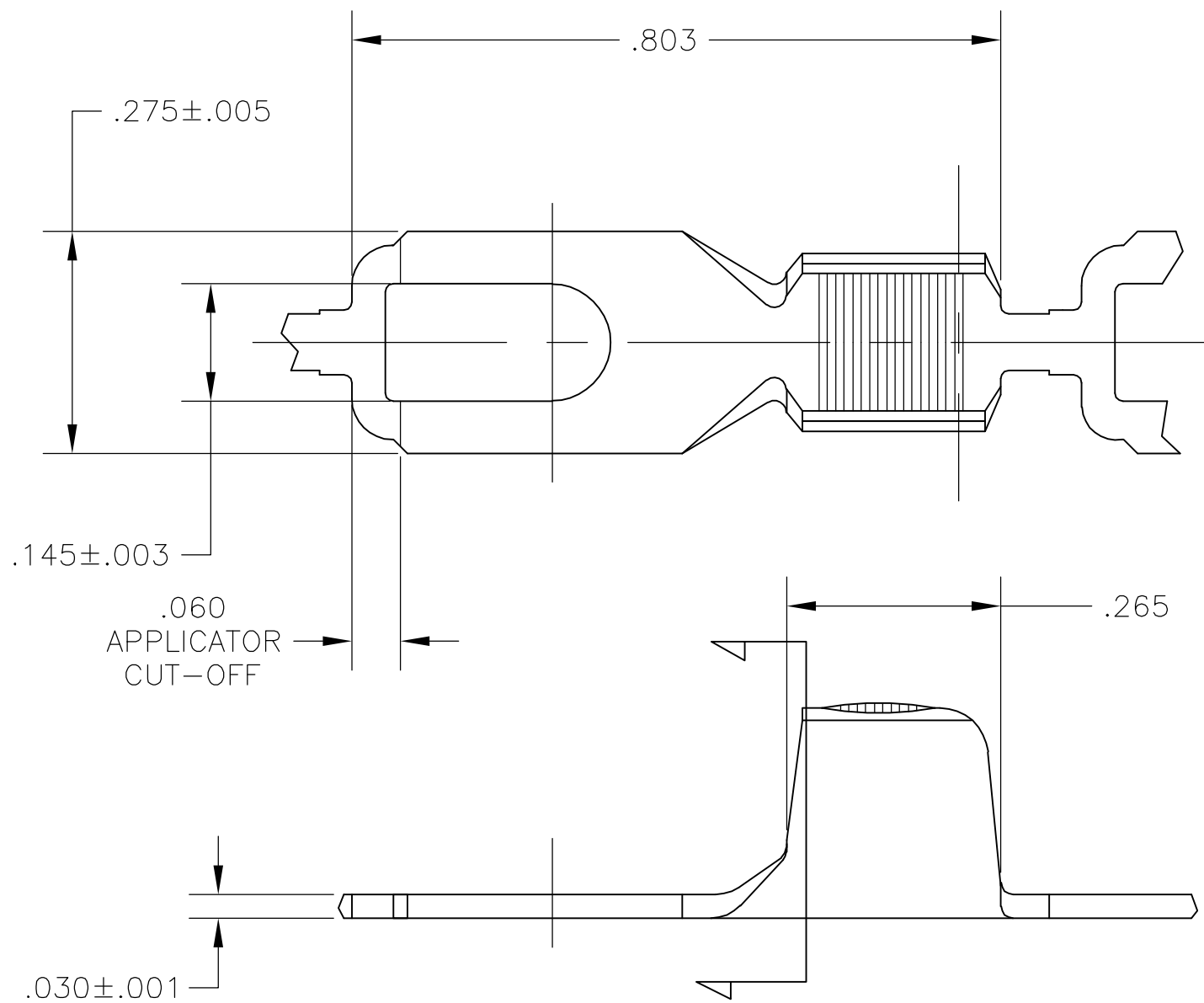


THIS DRAWING IS UNPUBLISHED. RELEASED FOR PUBLICATION
 © COPYRIGHT BY TYCO ELECTRONICS CORPORATION. ALL RIGHTS RESERVED.

LOC	DIST	REVISIONS					
AF	50	P	LTR	DESCRIPTION	DATE	DWN	APVD
			A3	REVISED PER ECR-06-022030	21SEP06	HMR	DD

- 1 CONTINUOUS STRIP ON REELS.
- 2 CRIMP WIDTH: .160 F TYPE.
 CRIMP HEIGHT ($\pm .002$) = (TOTAL CMA + 25,181) / 272,727
 GENERAL APPLICATOR GUIDELINES MUST BE FOLLOWED
 AS SPECIFIED IN CATALOG # 82221.



THIS DRAWING IS A CONTROLLED DOCUMENT.		DWN	JR RUTH	15SEP05
DIMENSIONS: INCHES		CHK	D.F. DECKER	15SEP05
TOLERANCES UNLESS OTHERWISE SPECIFIED:		APVD	D.F. DECKER	15SEP05
0 PLC	± -	PRODUCT SPEC	-	
1 PLC	± -	APPLICATION SPEC	-	
2 PLC	± -	WEIGHT	-	
3 PLC	± .010	CUSTOMER DRAWING	-	
4 PLC	± -	SCALE	5:1	
ANGLES	± -	SHEET	1 OF 1	
MATERIAL	082 BRASS	FINISH	.000150 MIN TIN	
		RESTRICTED TO	-	

7000-13000		1742348-1	
WIRE RANGE		PART NUMBER	
Tyco Electronics Corporation Harrisburg, PA 17105-3608			
NAME SPADE, AMPLIVAR, 9 SERRATIONS, 6 STUD SIZE			
SIZE	CAGE CODE	DRAWING NO	RESTRICTED TO
A3	00779	C-1742348	-

X-ON Electronics

Largest Supplier of Electrical and Electronic Components

Click to view similar products for [Terminals](#) category:

Click to view products by [TE Connectivity](#) manufacturer:

Other Similar products are found below :

[00-054007-01074-6](#) [00-054007-70206-1](#) [00-054007-70210-8](#) [00-054007-70217-7](#) [00-054007-70226-9](#) [00-054007-70228-3](#) [00-054007-70248-1](#) [00-054007-70256-6](#) [00-054007-70301-3](#) [00-054007-70316-7](#) [0-0320562-0](#) [00-054007-49560-4](#) [00-054007-70209-2](#) [00-054007-70225-2](#) [00-054007-70227-6](#) [00-054007-70231-3](#) [00-054007-70241-2](#) [00-054007-70242-9](#) [00-054007-70244-3](#) [00-054007-70246-7](#) [00-054007-70263-4](#) [00-054007-70288-7](#) [00-054007-70290-0](#) [00-054007-70300-6](#) [00-054007-70304-4](#) [01-2065-1-0216](#) [01-2900-1-04412](#) [00581P0075](#) [600TS-10](#) [60205-1](#) [604200-1](#) [605601-1](#) [60598-1-CUT-TAPE](#) [61314-6-C](#) [61810-3](#) [61-S](#) [61-SN](#) [626-0194](#) [62-NBM-A](#) [62-SN](#) [62-SP](#) [63-S](#) [640179-1](#) [M55155/059I03](#) [M55155/079C01](#) [M55155/099H02](#) [M55155/109H01](#) [M55155/109H02](#) [M55155/12XH05](#) [M55155/16XH02](#)