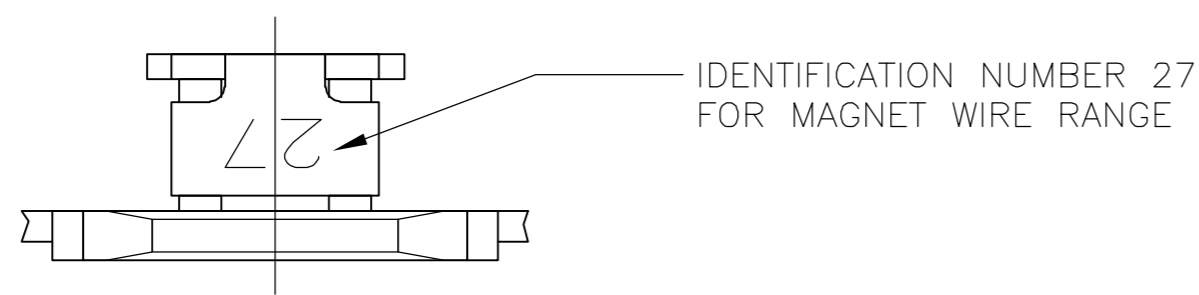
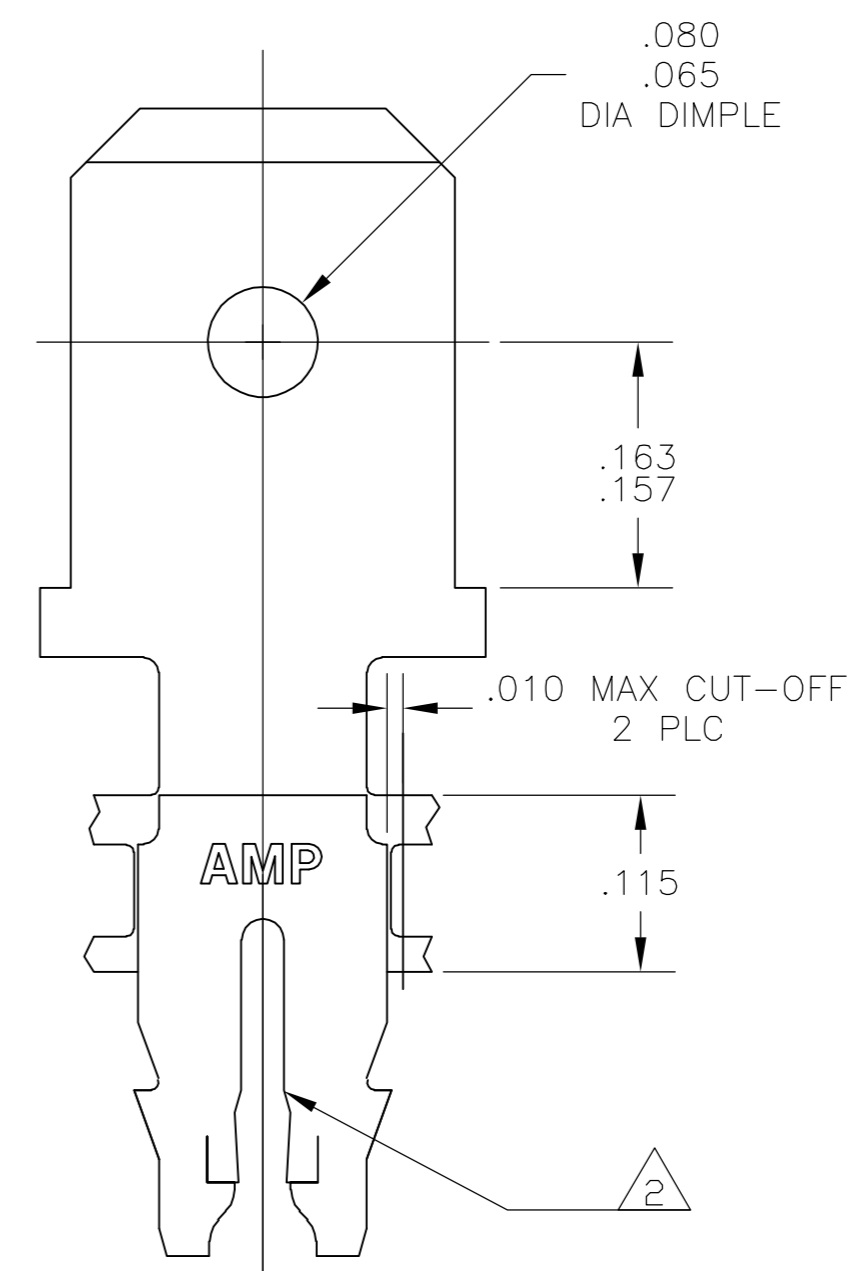
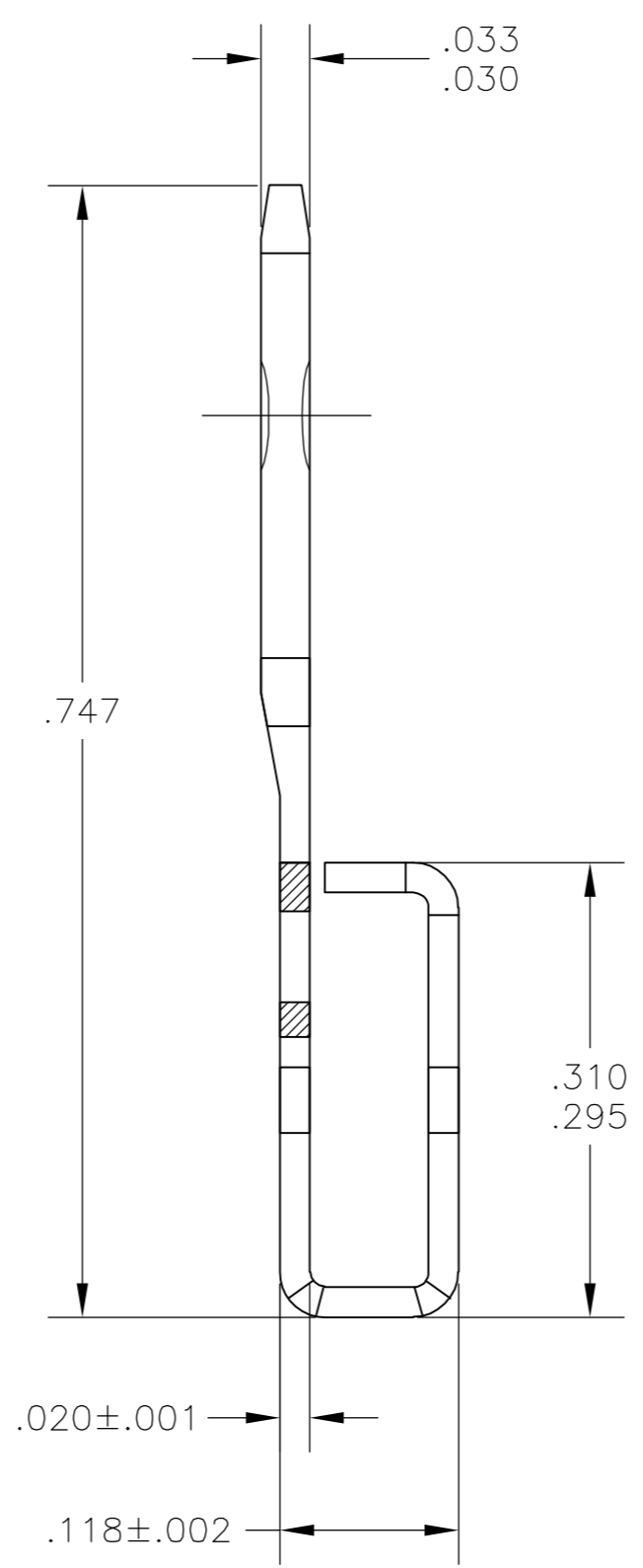
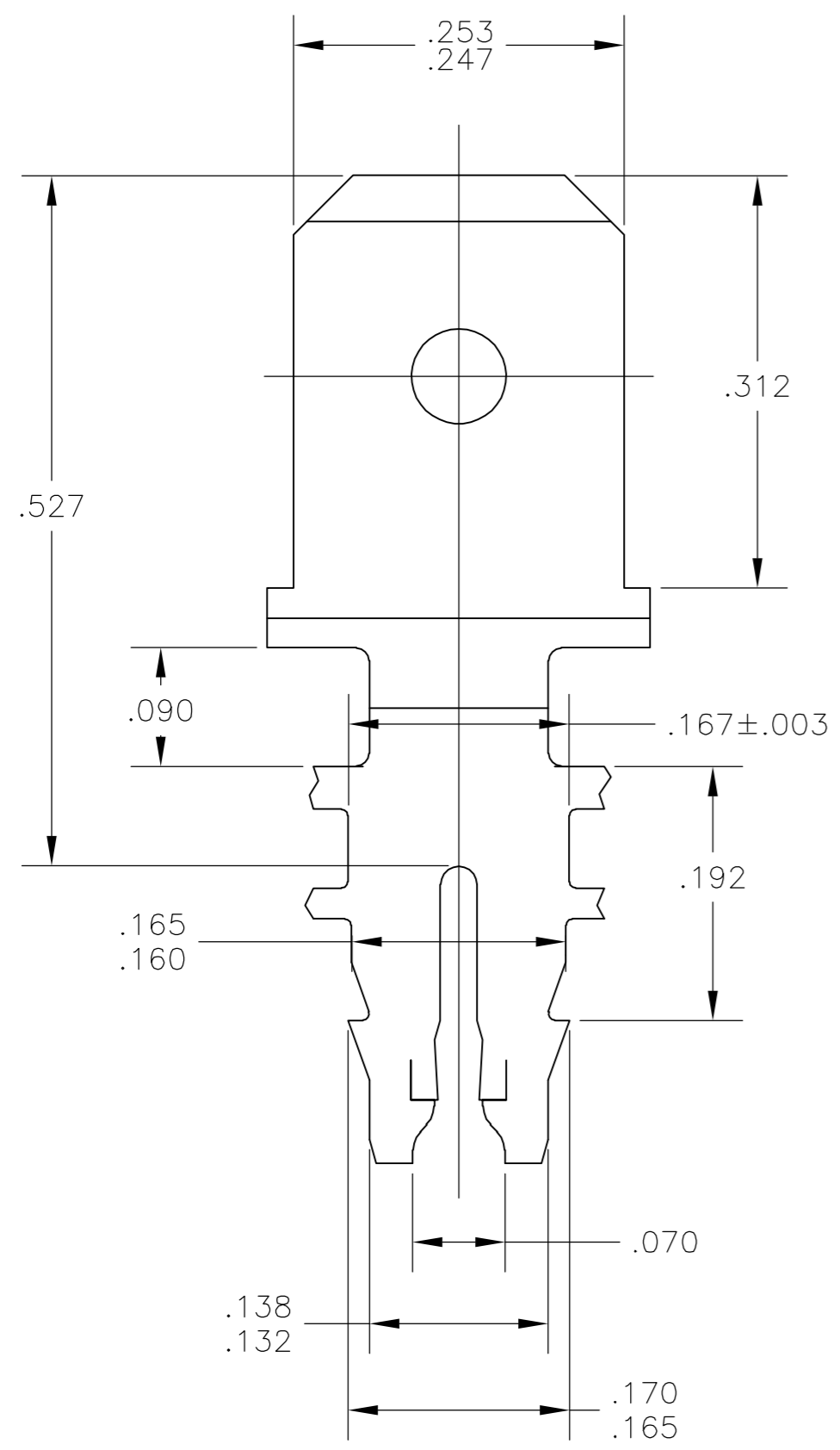


THIS DRAWING IS UNPUBLISHED. RELEASED FOR PUBLICATION
 © COPYRIGHT BY TYCO ELECTRONICS CORPORATION. ALL RIGHTS RESERVED.

LOC		DIST		REVISIONS			
P	LTR	DESCRIPTION	DATE	DWN	APVD		
AF	50	A1	REVISED PER ECR-06-028831	14DEC06	MF	KR	



- 1 CONTINUOUS STRIP ON REELS WITH TERMINALS LOCATED ON $.330 \pm .003$ CENTERS
- 2 SLOT TERMINATES A SINGLE OR DOUBLE MAGNET WIRE OF THE SAME SIZE AND TYPE. COPPER RANGE: #19-#17 AWG
- 3 AFTER INSERTION INTO PLASTIC HOLDER TAB PORTION MUST BE BENT OVER 45° TO 90° OR POTTED-IN TO PREVENT PULL-OUT WHEN MATING RECEPTACLE IS DISCONNECTED.
- 4 SPECIAL CAVITY ANVIL HEIGHT REQUIRED $.130 \pm .003$ REF APPLICATION SPEC 114-2046, SEC. 3.2, NOTE 7
- 5 $.000080 - .000250$ TIN PLATE



1742398-1
PART NO

THIS DRAWING IS A CONTROLLED DOCUMENT.		DWN jr ruth 07FEB06	tyco Tyco Electronics Corporation	
DIMENSIONS: INCHES		CHK K RANDOLPH 07FEB06	Harrisburg, PA 17105-3608	
TOLERANCES UNLESS OTHERWISE SPECIFIED:		APVD K RANDOLPH 07FEB06	NAME	
0 PLC ± -	1 PLC ± -	PRODUCT SPEC	TERMINAL, TAB, .250 FASTON, 300 SERIES MAG-MATE	
2 PLC ± -	3 PLC ± .010	APPLICATION SPEC	SIZE A2	CAGE CODE 00779
4 PLC ± -	ANGLES ± -	FINISH	DRAWING NO C=1742398	RESTRICTED TO -
MATERIAL 4M PRE-MILLED BRASS		WEIGHT -	SCALE 10:1	SHEET 1 of 1
		CUSTOMER DRAWING	REV A1	

X-ON Electronics

Largest Supplier of Electrical and Electronic Components

Click to view similar products for [Terminals](#) category:

Click to view products by [TE Connectivity](#) manufacturer:

Other Similar products are found below :

[HT-13-10](#) [71M-250-32-NB](#) [01-2065-1-0216](#) [00581P0075](#) [M10-10RX](#) [M10BCK](#) [60205-1](#) [604200-1](#) [60598-1-CUT-TAPE](#) [60617-1-C](#) [60873-1](#) [M14-516R/SK](#) [M14-6RSX](#) [M18-8FBX](#) [M18-8R/LX](#) [M18BCK](#) [61314-6-C](#) [61-S](#) [61-SN-A](#) [62-NBM-A](#) [63-S](#) [640179-1](#) [640917-2-CUT-TAPE](#) [6501550002](#) [66107-2-C](#) [696683-1](#) [696834-1](#) [696861-1](#) [696931-1](#) [696999-1](#) [M8-516RK](#) [M86700006](#) [MA250DMFMX-A](#) [701-2007](#) [701-2307](#) [701-7761-03](#) [70F-110-32-PB](#) [718-N-A](#) [71M-187-20-NBL](#) [71M-250-32-NBL](#) [72F-187-20-NBL](#) [72M-250-32-NBL](#) [7310](#) [73F-250-32](#) [73F-250-32-NL](#) [F14-10C](#) [F-1M](#) [751-250](#) [76650-5002](#) [76828-149](#)