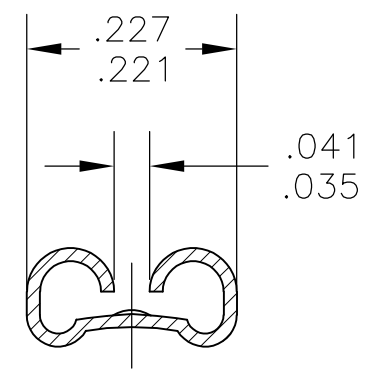
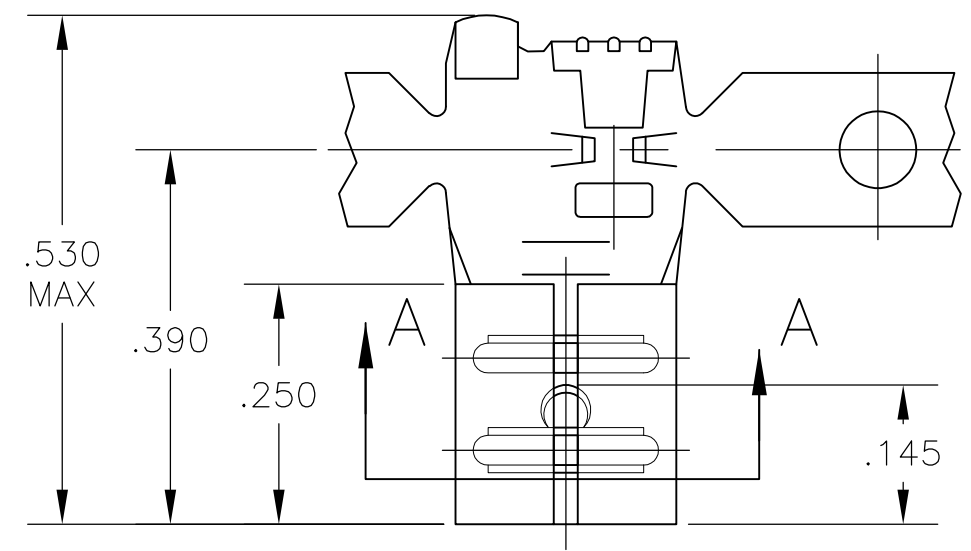


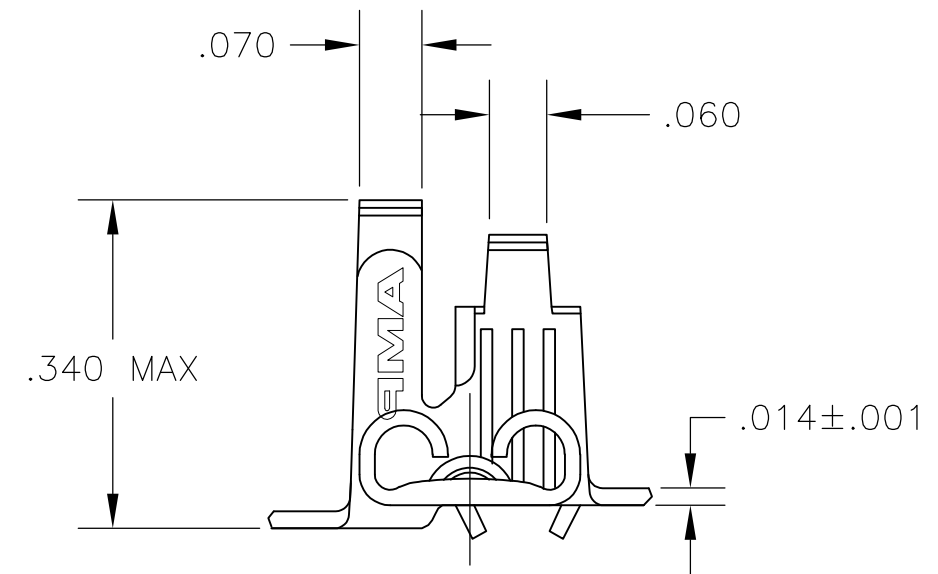
THIS DRAWING IS UNPUBLISHED. RELEASED FOR PUBLICATION
 © COPYRIGHT - By - ALL RIGHTS RESERVED.

LOC	DIST	REVISIONS					
AF	14	P	LTR	DESCRIPTION	DATE	DWN	APVD
		B		REVISED PER ECR-12-013518	26NOV2012	KH	PD

- 1 CONTINUOUS STRIP ON REELS
- 2 WIRE SIZE IS #18-#14 AWG OR #2-#18
- 3 INSULATION RANGE IS .110-.190 DIA
- 4 MATING TAB THK IS .032±.001
- 5 PRELIMINARY - NOT FOR PRODUCTION



SECTION A-A



T3 PHOS BRONZE	5 1742422-2
BRASS	1742422-1
MATERIAL	PART NO

THIS DRAWING IS A CONTROLLED DOCUMENT.		DWN	jr_ruth	29MAR06	STE TE Connectivity						
DIMENSIONS: INCHES		CHK	P_DESANTIS	29MAR06				NAME			
TOLERANCES UNLESS OTHERWISE SPECIFIED:		APVD	P_DESANTIS	29MAR06	RECEPTACLE, FASTON, FLAG, .187 SERIES						
0 PLC ± -		PRODUCT SPEC		-			SIZE	CAGE CODE	DRAWING NO	RESTRICTED TO	
1 PLC ± -		APPLICATION SPEC		-			A3	00779	C-1742422	-	
2 PLC ± -		114-2078		WEIGHT			CUSTOMER DRAWING		SCALE	SHEET	REV
3 PLC ± .005		-		-			5:1		1 OF 1	B	
4 PLC ± -		-		-			-		-		
ANGLES ± 5°		-		-			-		-		
MATERIAL SEE TABLE		FINISH		TIN PLATE			-		-		

X-ON Electronics

Largest Supplier of Electrical and Electronic Components

Click to view similar products for [Terminals](#) category:

Click to view products by [TE Connectivity](#) manufacturer:

Other Similar products are found below :

[HT-13-10](#) [71M-250-32-NB](#) [01-2065-1-0216](#) [00581P0075](#) [M10-10RX](#) [M10BCK](#) [60205-1](#) [604200-1](#) [60598-1-CUT-TAPE](#) [60617-1-C](#) [60873-1](#) [M14-516R/SK](#) [M14-6RSX](#) [M18-8FBX](#) [M18-8R/LX](#) [M18BCK](#) [61314-6-C](#) [61-S](#) [61-SN-A](#) [62-NBM-A](#) [63-S](#) [640179-1](#) [640917-2-CUT-TAPE](#) [6501550002](#) [66107-2-C](#) [696683-1](#) [696834-1](#) [696861-1](#) [696931-1](#) [696999-1](#) [M8-516RK](#) [M86700006](#) [MA250DMFMX-A](#) [701-2007](#) [701-2307](#) [701-7761-03](#) [70F-110-32-PB](#) [718-N-A](#) [71M-187-20-NBL](#) [71M-250-32-NBL](#) [72F-187-20-NBL](#) [72M-250-32-NBL](#) [7310](#) [73F-250-32](#) [73F-250-32-NL](#) [F14-10C](#) [F-1M](#) [751-250](#) [76650-5002](#) [76828-149](#)