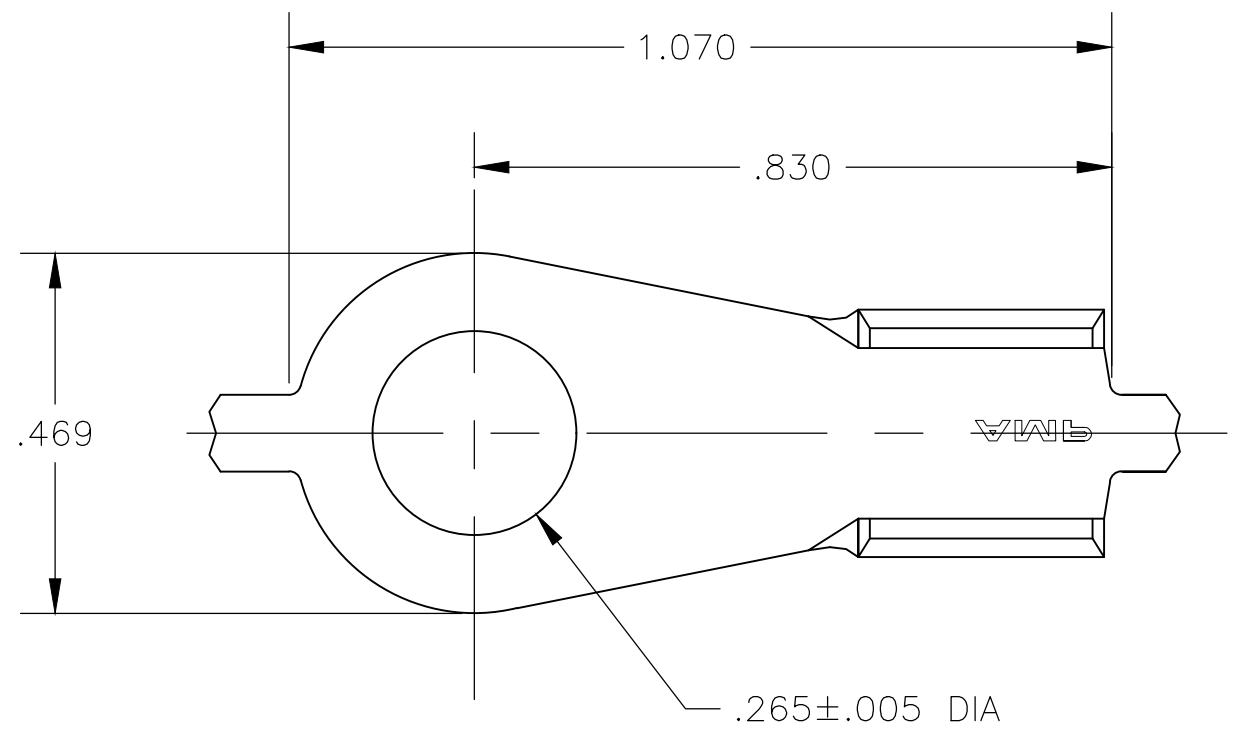
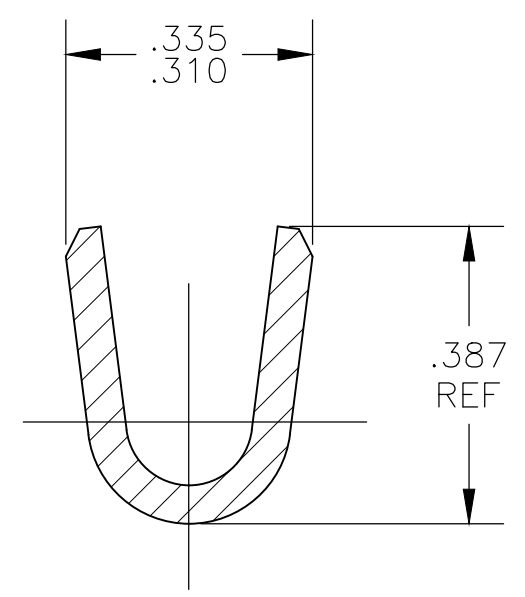
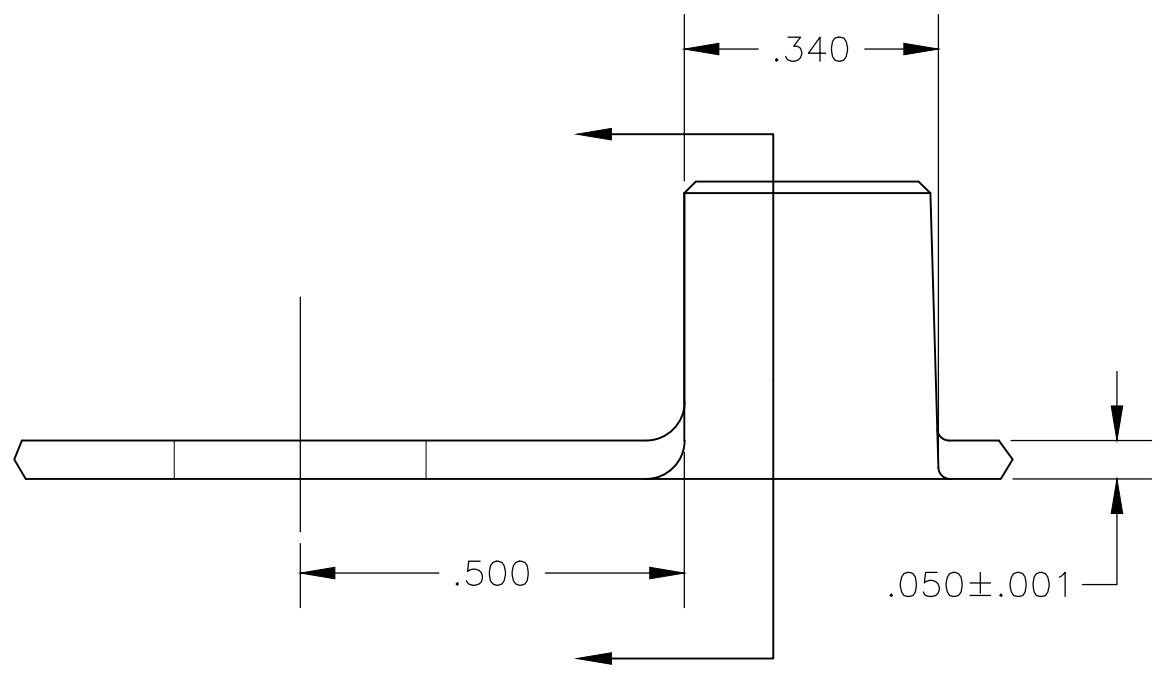


THIS DRAWING IS UNPUBLISHED. RELEASED FOR PUBLICATION
 © COPYRIGHT - By - ALL RIGHTS RESERVED.

| LOC | DIST | REVISIONS | | | |
|-----|------|-------------|---------------------------|-----------|-------|
| P | LTR | DESCRIPTION | DATE | DWN | APVD |
| AF | 50 | B4 | REVISED PER ECR-19-017984 | 27NOV2019 | PC MK |



- 1 CONTINUOUS STRIP ON REELS.
- △2 TIN PLATING
- △3 PRELIMINARY - NOT FOR PRODUCTION
- △4 SPLICE FREE REELS.
- 5 WIRE SIZE #10-#6



| | | | | |
|----------|-----------------|----|-------------|----|
| OBSOLETE | TEMP H00 COPPER | △3 | 1742456-3 | △4 |
| | TEMP H00 COPPER | | 1742456-2 | |
| OBSOLETE | — 082 BRASS — | △3 | 1742456-1 | |
| MATERIAL | | | PART NUMBER | |

| | | | | | | | | | | | | |
|---|--|--------------|----------|-------------|----------------------------|-----|-----------|--------|------------|-----------|---------------|---|
| THIS DRAWING IS A CONTROLLED DOCUMENT. | | DWN | JR RUTH | 01AUG06 | STE TE Connectivity | | | | | | | |
| DIMENSIONS: INCHES | | CHK | D DECKER | 01AUG06 | | | | | | | | |
| TOLERANCES UNLESS OTHERWISE SPECIFIED: | | APVD | D DECKER | 01AUG06 | NAME | | | | | | | |
| 0 PLC ± - 1 PLC ± - 2 PLC ± - 3 PLC ± .010 4 PLC ± - ANGLES ± 1° | | PRODUCT SPEC | | RING TONGUE | | | | | | | | |
| MATERIAL SEE TABLE | | FINISH | | △2 | SIZE | A3 | CAGE CODE | 00779 | DRAWING NO | C-1742456 | RESTRICTED TO | - |
| CUSTOMER DRAWING | | | | | SCALE | 4:1 | SHEET | 1 OF 1 | REV | B4 | | |

X-ON Electronics

Largest Supplier of Electrical and Electronic Components

Click to view similar products for [Terminals](#) category:

Click to view products by [TE Connectivity](#) manufacturer:

Other Similar products are found below :

[00-054007-01074-6](#) [00-054007-70206-1](#) [00-054007-70210-8](#) [00-054007-70217-7](#) [00-054007-70226-9](#) [00-054007-70228-3](#) [00-054007-70248-1](#) [00-054007-70256-6](#) [00-054007-70301-3](#) [00-054007-70316-7](#) [0-0320562-0](#) [00-054007-49560-4](#) [00-054007-70209-2](#) [00-054007-70225-2](#) [00-054007-70227-6](#) [00-054007-70231-3](#) [00-054007-70241-2](#) [00-054007-70242-9](#) [00-054007-70244-3](#) [00-054007-70246-7](#) [00-054007-70263-4](#) [00-054007-70288-7](#) [00-054007-70290-0](#) [00-054007-70300-6](#) [00-054007-70304-4](#) [01-2065-1-0216](#) [01-2900-1-04412](#) [00581P0075](#) [600TS-10](#) [60205-1](#) [604200-1](#) [605601-1](#) [60598-1-CUT-TAPE](#) [61314-6-C](#) [61810-3](#) [61-S](#) [61-SN](#) [626-0194](#) [62-NBM-A](#) [62-SN](#) [62-SP](#) [63-S](#) [640179-1](#) [M55155/059I03](#) [M55155/079C01](#) [M55155/099H02](#) [M55155/109H01](#) [M55155/109H02](#) [M55155/12XH05](#) [M55155/16XH02](#)