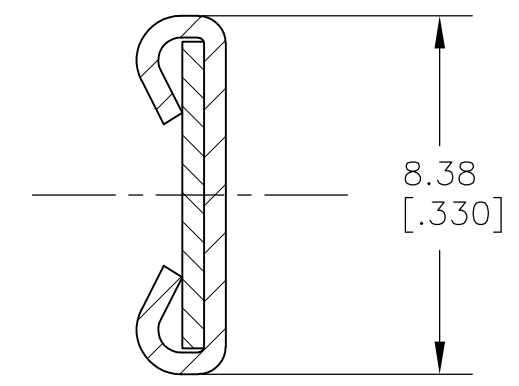
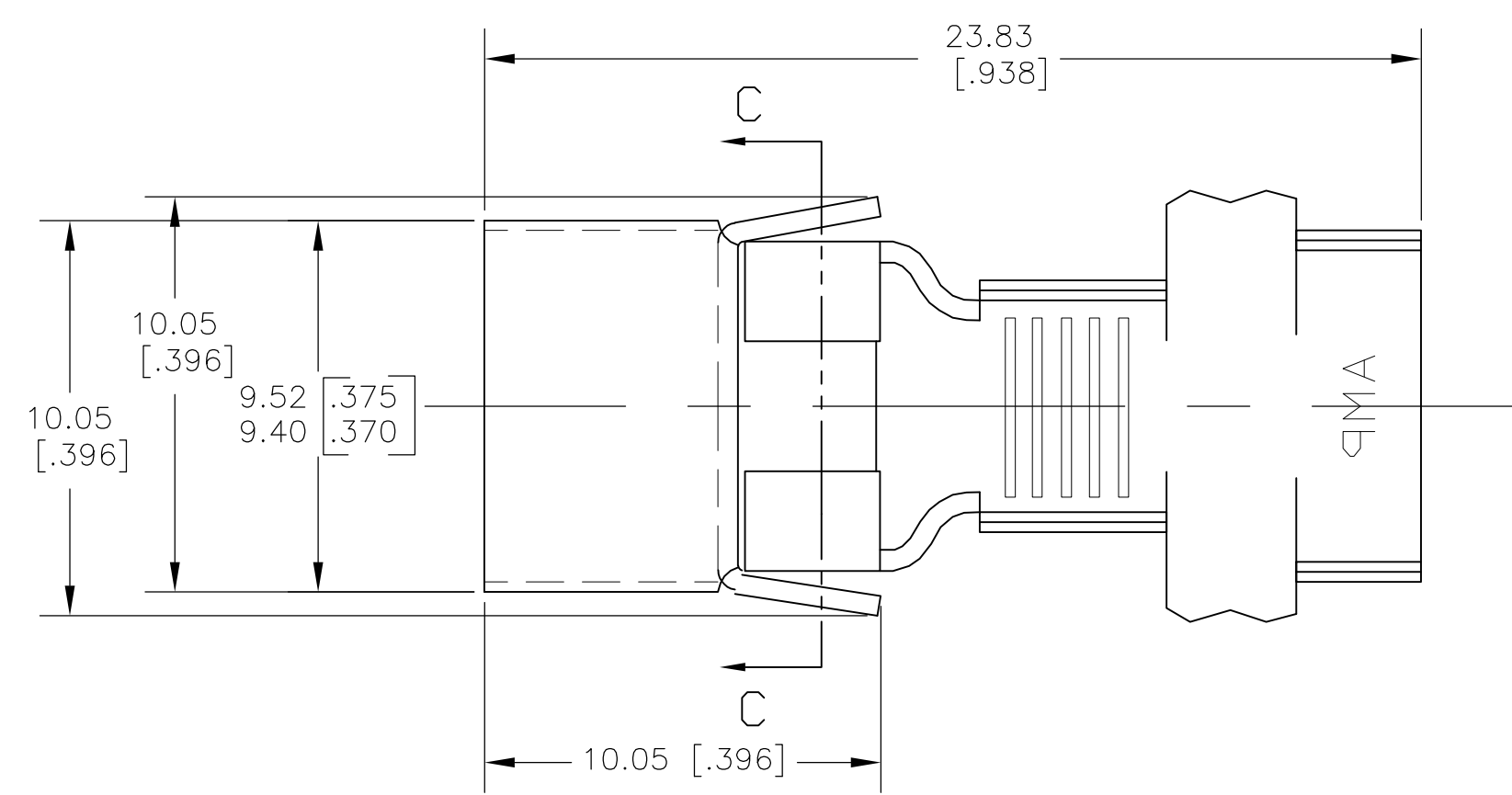
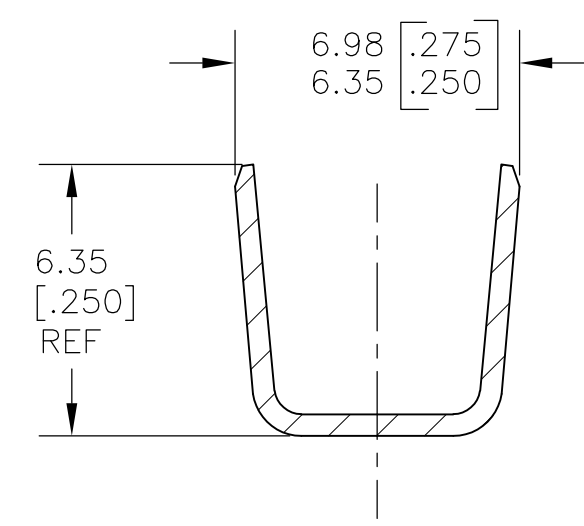
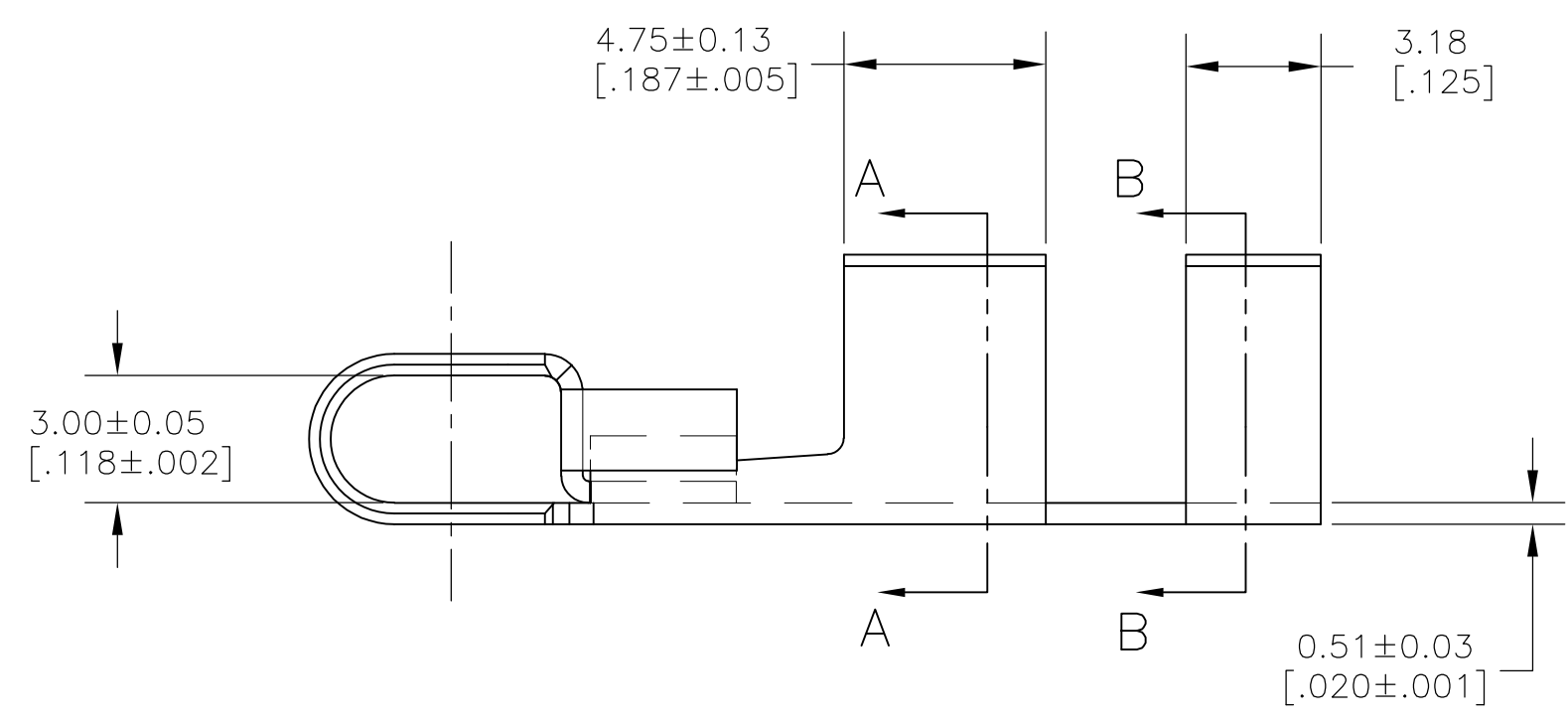


LOC	DIST	REVISIONS			
P	LTR	DESCRIPTION	DATE	OWN	APVD
AF	50	D6	REVISED PER ECR-13-014537	15NOV2013	KH GJ

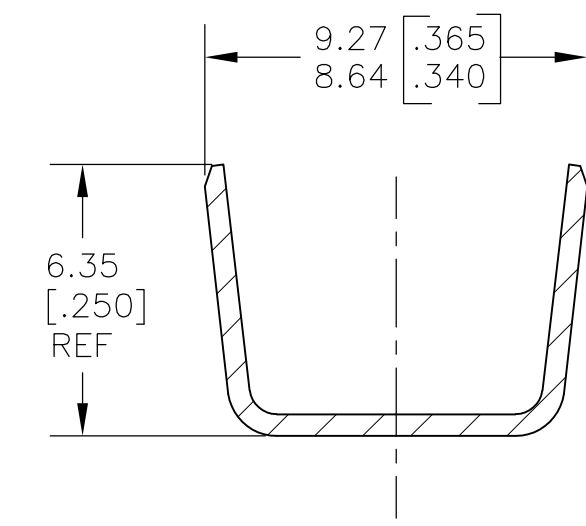


SECTION C-C

- 1 PRODUCT PROVIDED ON 19.56 [.770] CENTERS, IN STRIP FORM ON REELS. BREAKS MAY BE PRESENT.
- 2 WIRE SIZES [#14-#8 AWG] 2.08mm²-8.35mm², STRANDED.
- 3 INSULATION RANGE 1.90-4.32 [.075-.170] DIA
- △ 4 EXTENDED QUANTITY PACKAGING
- △ 5 PRELIMINARY - NOT FOR PRODUCTION.



SECTION A-A



SECTION B-B

STANDARD	FINISH	MATERIAL	PART NUMBER
△ 4	POST TIN	H02 CuFeP ALLOY	1-1742539-3
STANDARD	POST TIN	TMOS CuNiSi ALLOY	△ 5 1742539-4
STANDARD	POST TIN	H02 CuFeP ALLOY	1742539-3
SUPERSEDED BY 1742539-3	PRE-TIN	H02 CuFe ALLOY	1742539-2
OBSOLETE	POST TIN	H03 CuSnZn ALLOY	1742539-1

THIS DRAWING IS A CONTROLLED DOCUMENT.

DWN jr ruth 01FEB07	 TE Connectivity
CHK GARY PORTA 01FEB07	
APVD GARY PORTA 01FEB07	
DIMENSIONS: MM[INCHES] TOLERANCES UNLESS OTHERWISE SPECIFIED: 0 PLC ± - 1 PLC ± - 2 PLC ± 0.25 [.010] 3 PLC ± - 4 PLC ± - 1° ANGLES ± - 1°	NAME RECEPTACLE, CLUSTER PIN, .125 DIA
MATERIAL SEE TABLE	FINISH SEE TABLE WEIGHT - CUSTOMER DRAWING
PRODUCT SPEC 108-2388	
APPLICATION SPEC 114-13244	
SIZE CAGE CODE DRAWING NO A2 00779 G-1742539	
RESTRICTED TO SCALE 6:1 SHEET 1 OF 1 REV D6	

X-ON Electronics

Largest Supplier of Electrical and Electronic Components

Click to view similar products for [DIN 41612 Connectors](#) category:

Click to view products by [TE Connectivity](#) manufacturer:

Other Similar products are found below :

[09231126901](#) [PCN10F-24P-2.54DS\(72\)](#) [004.767](#) [02221602702](#) [024069](#) [602427301412000](#) [013275](#) [691327-1](#) [74670-0732](#) [74680-0340](#)
[75880-0015](#) [76453-0014](#) [86093159ALF](#) [923454](#) [QLC260R](#) [120X10099X](#) [120X10019X](#) [120X10089X](#) [120X10129X](#) [121A10039X](#)
[121A10309X](#) [122A10019X](#) [122A10029X](#) [122A10249X](#) [122A10669X](#) [122A11089X](#) [122A13089X](#) [122A10089X](#) [122A10129X](#)
[122A10349X](#) [122A13359X](#) [1377391-4](#) [1393583-2](#) [1393726-7](#) [140X10059X](#) [140X10129X](#) [143-1913-000](#) [143-1908-000](#) [1484472-1](#) [173052](#)
[2110070-1](#) [2110070-2](#) [CBC20T00-008FDS5-0-1-002VR](#) [983-0SE12-12P6](#) [17041102202](#) [172699-5036](#) [173051](#) [PCN10-96S-2.54DSA\(77\)](#) [2-](#)
[1393557-4](#) [2-1437084-2](#)