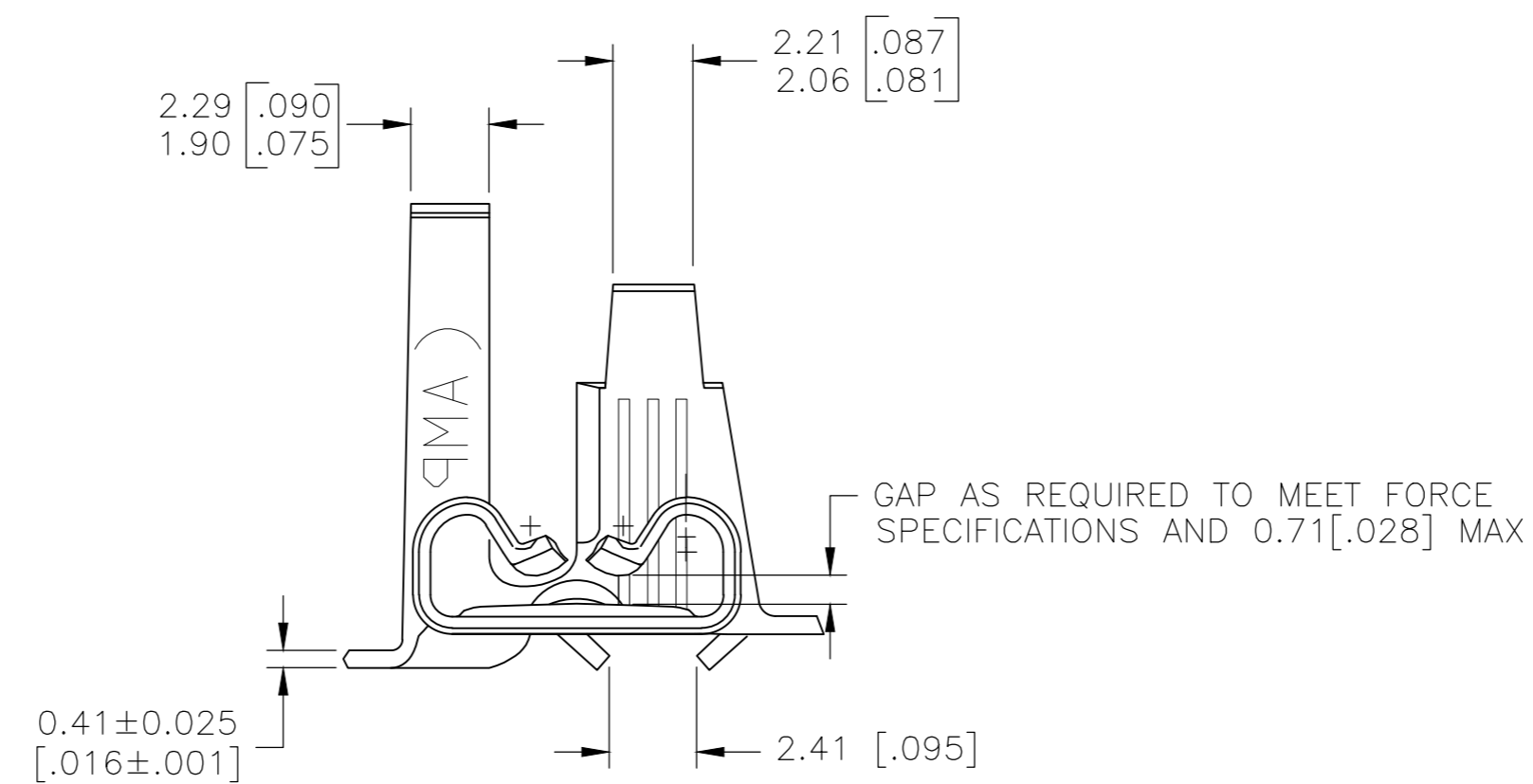
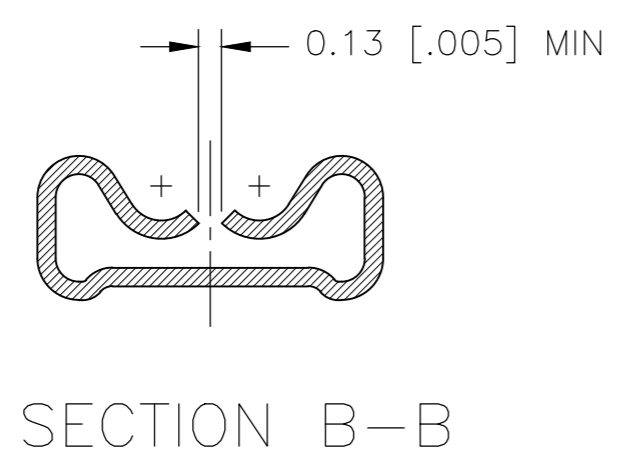
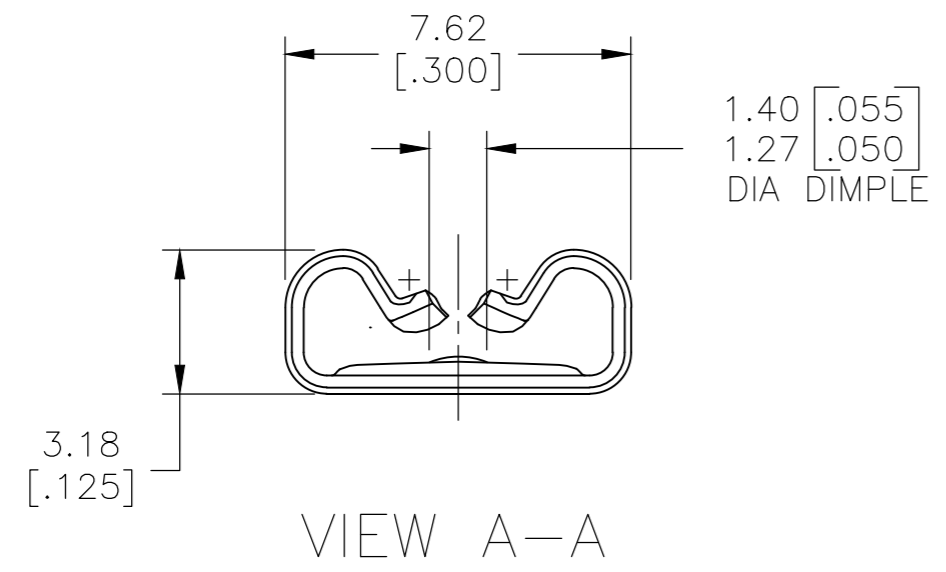
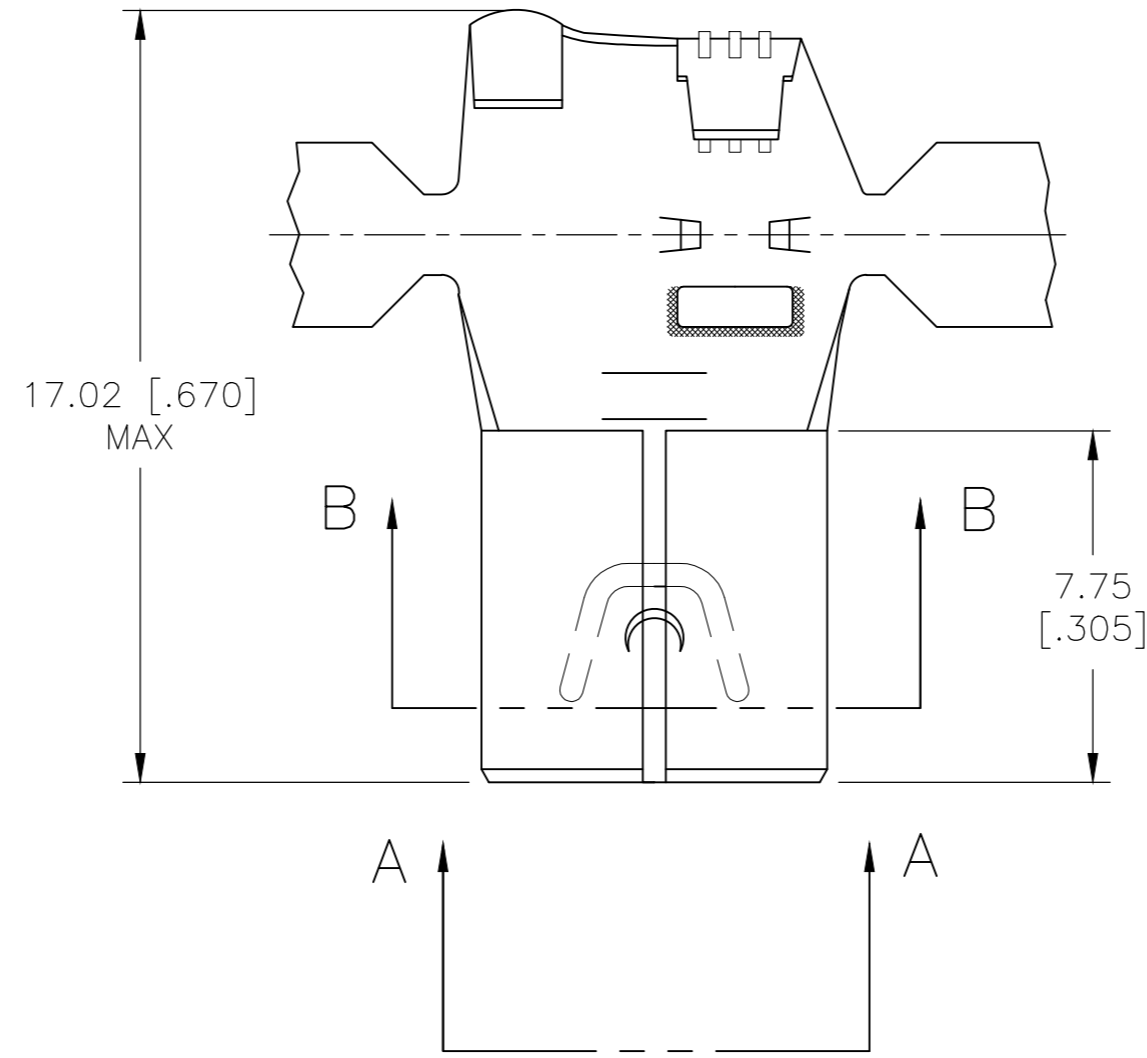


THIS DRAWING IS UNPUBLISHED. RELEASED FOR PUBLICATION
 © COPYRIGHT - By - ALL RIGHTS RESERVED.

REVISIONS					
P	LTR	DESCRIPTION	DATE	DWN	APVD
A11		REVISED PER ECR-18-004893	02MAY2018	BDA	DH
A12		REVISED PER ECR-20-009164	09JULY2020	MK	DH

- 1 CONTINUOUS STRIP ON REELS
- 2 WIRE SIZE: SINGLE 18-12, 2-18'S OR 1-18/1-16
- 3 INSULATION RANGE IS 2.29-5.33 [.110-.210] DIA
- 4 MATING TAB THK IS 0.84-0.76 [.033- .030]
- 5 0.00381 [.000150] MIN NICKEL PLATE
- 6 THIS PART DASH # IS UL APPROVED FOR AWG 18-14 ONLY
- 7 REELING ORIENTATION ACCORDING TO TE SPEC. 107-3 FIG. 243
- 8 THIS PART DASH # IS UL APPROVED FOR AWG 18-12
- 9 THIS PART SHARE THE SAME DESIGN WHIT 1742543-1, BUT DIFFERENT IN PACKAGING QUANTITY.
- 10 OBSOLETE/SUPERSEDED BY PN 2238197-3



10	NICKEL	CR STEEL	9	1742543-4
8	TIN	BRASS	8	1742543-3
5	NICKEL	CR STEEL	6	1742543-1
	FINISH	MATERIAL		PART NO

THIS DRAWING IS A CONTROLLED DOCUMENT.		DWN	29JAN07		
		CHK	26JAN07		
		APVD	26JAN07		
		PRODUCT SPEC			
DIMENSIONS: mm [INCHES]		TOLERANCES UNLESS OTHERWISE SPECIFIED:		NAME	
0 PLC ± -		1 PLC ± -		RECEPTACLE, FASTON, FLAG,	
2 PLC ± -		3 PLC ± 0.25 [.010]		6.35 [.250] SERIES	
3 PLC ± -		4 PLC ± -		SIZE	
4 PLC ± -		ANGLES ± 5°		CAGE CODE	
MATERIAL		FINISH		DRAWING NO	
SEE TABLE		SEE TABLE		A2 00779 C=1742543	
		APPLICATION SPEC		RESTRICTED TO	
		114-2078		-	
		WEIGHT		SCALE	
		CUSTOMER DRAWING		6:1	
				SHEET	
				1 of 1	
				REV	
				A12	

1742543

X-ON Electronics

Largest Supplier of Electrical and Electronic Components

Click to view similar products for [Terminals](#) category:

Click to view products by [TE Connectivity](#) manufacturer:

Other Similar products are found below :

[00-054007-01074-6](#) [00-054007-70206-1](#) [00-054007-70210-8](#) [00-054007-70217-7](#) [00-054007-70226-9](#) [00-054007-70228-3](#) [00-054007-70248-1](#) [00-054007-70256-6](#) [00-054007-70301-3](#) [00-054007-70316-7](#) [00-054007-49560-4](#) [00-054007-70209-2](#) [00-054007-70225-2](#) [00-054007-70227-6](#) [00-054007-70231-3](#) [00-054007-70241-2](#) [00-054007-70242-9](#) [00-054007-70244-3](#) [00-054007-70246-7](#) [00-054007-70263-4](#) [00-054007-70288-7](#) [00-054007-70290-0](#) [00-054007-70300-6](#) [00-054007-70304-4](#) [01-2065-1-0216](#) [01-2900-1-04412](#) [00581P0075](#) [600TS-10](#) [60205-1](#) [604200-1](#) [605601-1](#) [60598-1-CUT-TAPE](#) [61314-6-C](#) [61810-3](#) [61-S](#) [61-SN](#) [626-0194](#) [62-NBM-A](#) [62-SN](#) [62-SP](#) [63-S](#) [640179-1](#) [M55155/059I03](#) [M55155/079C01](#) [M55155/099H02](#) [M55155/109H01](#) [M55155/109H02](#) [M55155/12XH05](#) [M55155/16XH02](#) [M55155/29-5S](#)