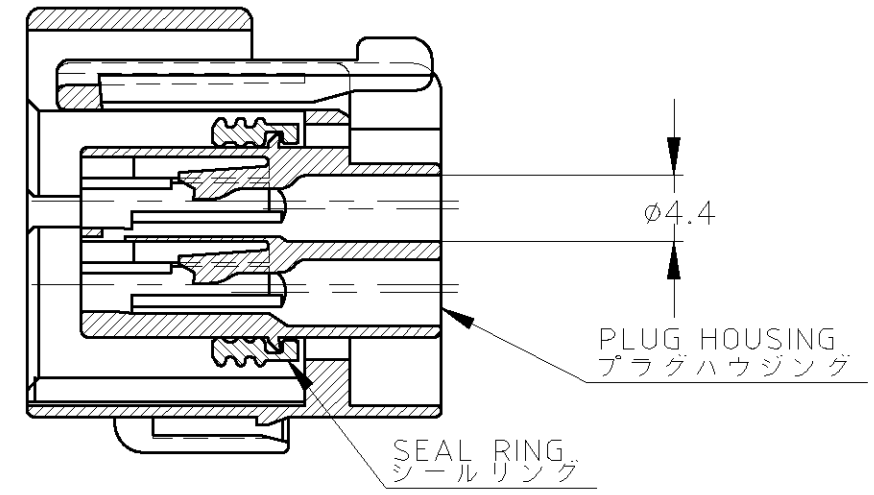
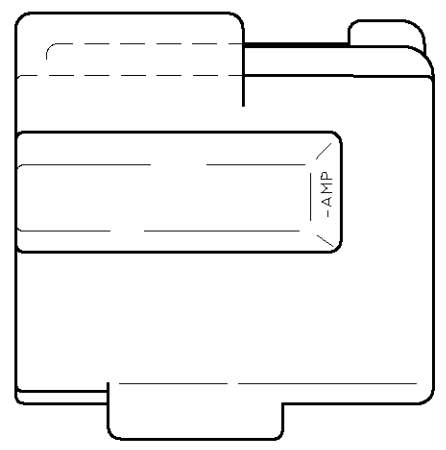
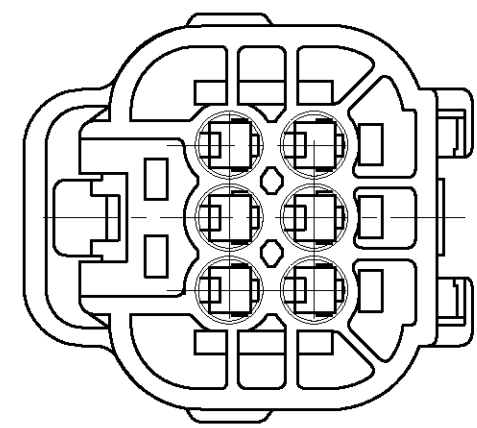
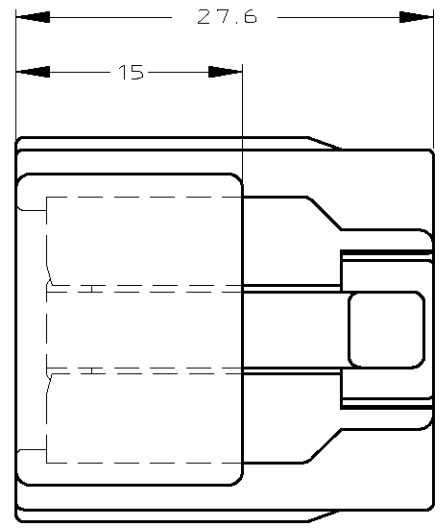
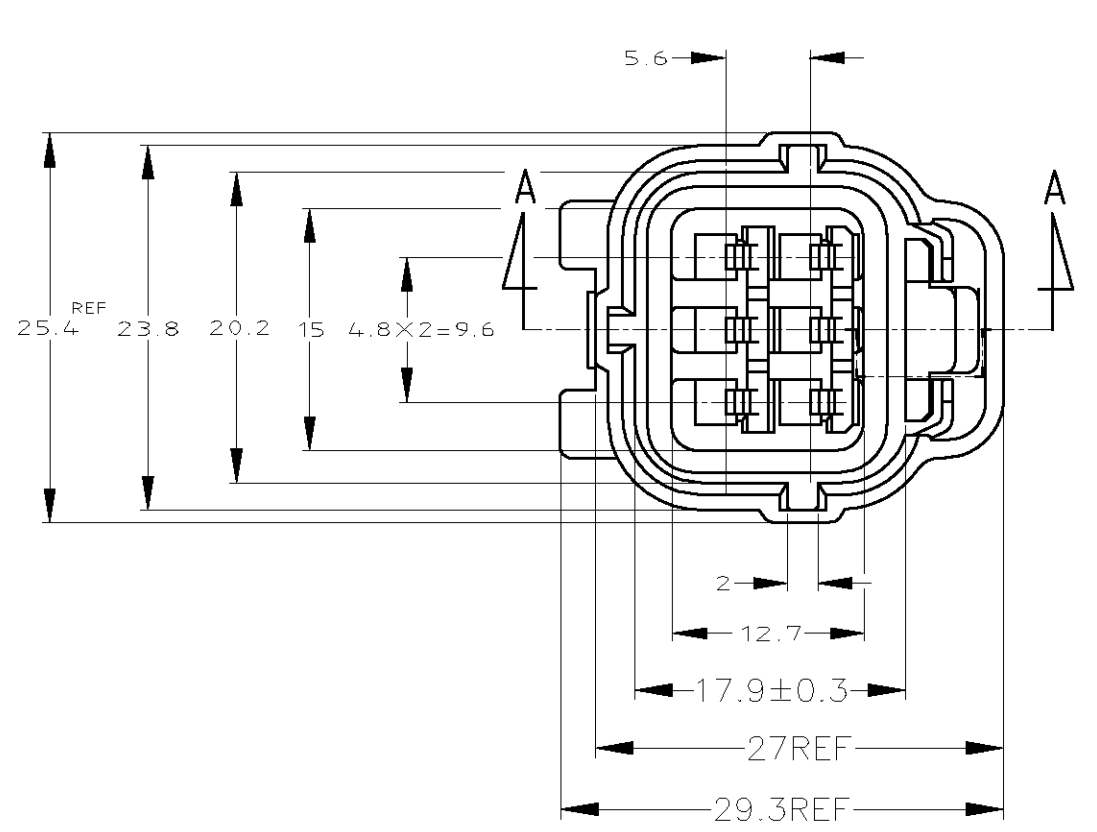


THIS DRAWING IS UNPUBLISHED. RELEASED FOR PUBLICATION
 © COPYRIGHT - By - ALL RIGHTS RESERVED.

LOC	DIST	REVISIONS					
J	-	P	LTR	DESCRIPTION	DATE	DWN	APVD
		A4	REVISED	ECR-13-010600	03JUL2013	TS	KB



- 1. 嵌合相手型番：174264, 173920
 - 2. 本品はプラグハウジング単体にシールリングがアセンブリされたものである。
 - 3. 本品はダブルロックプレート型番 174263を装着して使用する。
-
- 1. FOR CAP HOUSING PN 174264, 173920
 - 2. THIS PART IS COMPOSED OF PLUG HOUSING AND SEAL RING
 - 3. THIS PART MUST BE USED WITH DOUBLE LOCK PLATE PN 174263

黒 (BLACK)	174262-2
色 (COLOR)	P/N

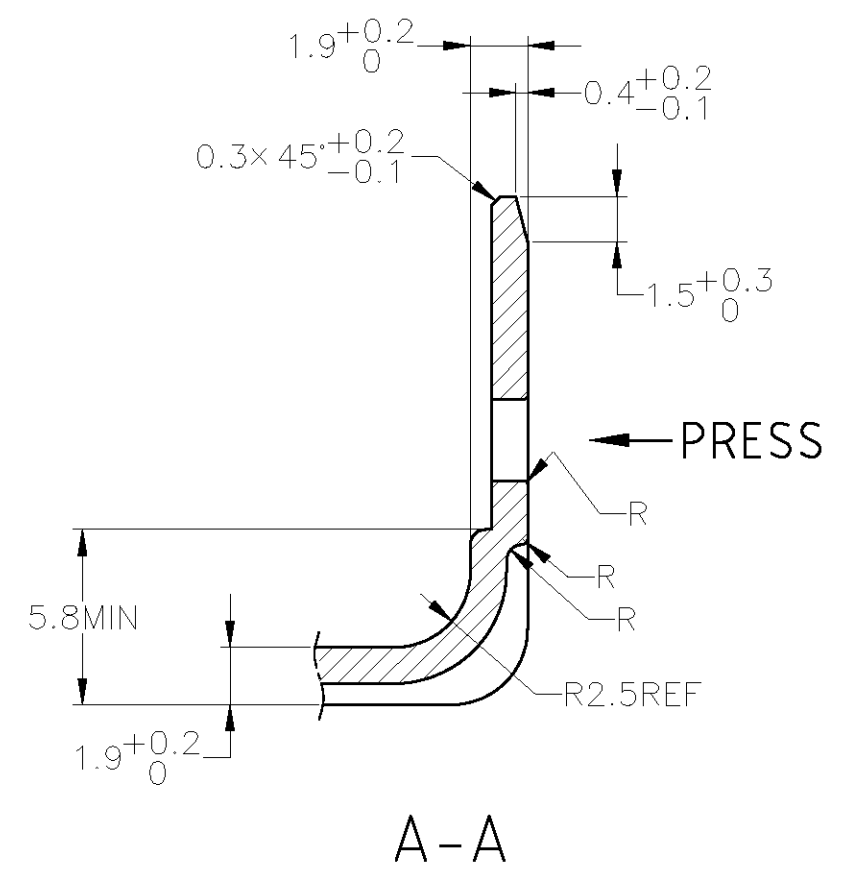
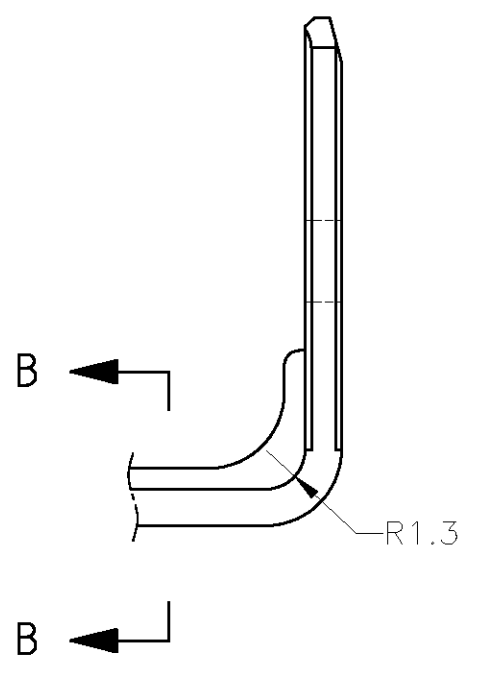
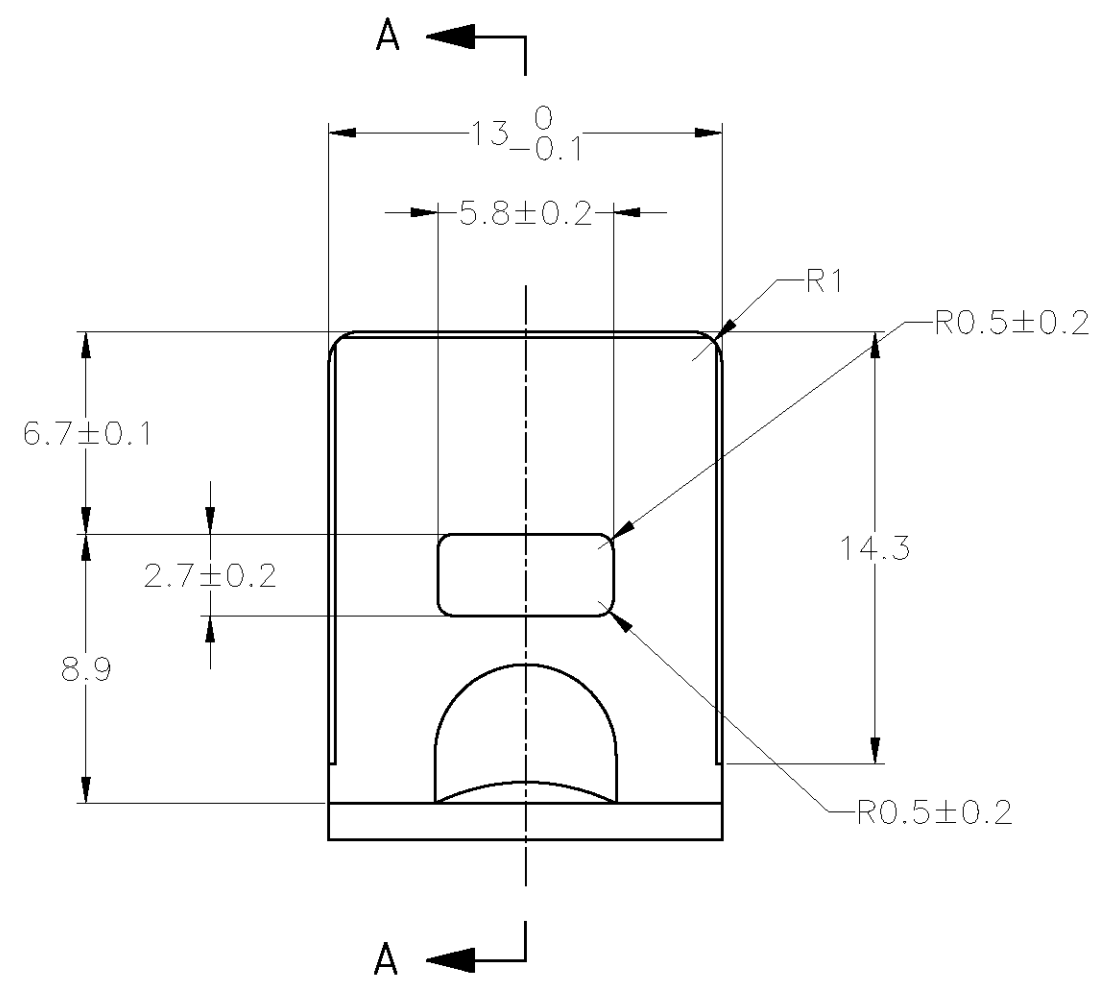
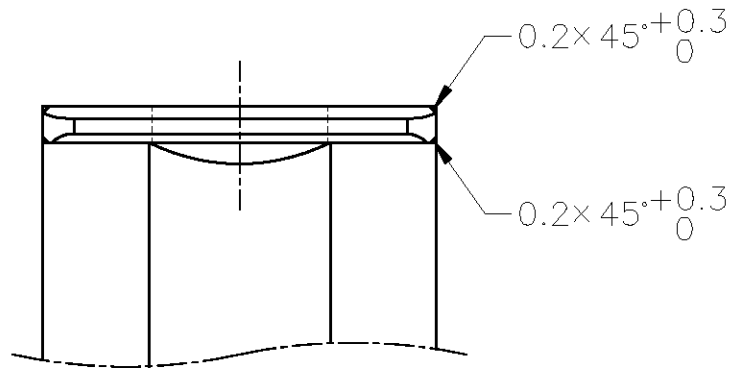
TOLERANCE UNLESS OTHERWISE SPECIFIED: 一般公差	
0 < x ≤ 10	: ±0.2
10 < x ≤ 30	: ±0.25
30 < x ≤ 100	: ±0.3
ANGLE ; 角度	: ±3°

THIS DRAWING IS A CONTROLLED DOCUMENT.		DWN A. YAMAGUCHI 30JUL02	STE TE Connectivity	
DIMENSIONS: 単位: 耗 mm		CHK K. ODA 30JUL02		
TOLERANCES UNLESS OTHERWISE SPECIFIED: 一般公差		APVD K. ODA 30JUL02	NAME 6Pos. ECONOSEAL J-MARK-II+ CONNECTOR PLUG HOUSING	
0 PLC ± -		PRODUCT SPEC 製品規格 108-5262	SIZE	
1 PLC ± -		APPLICATION SPEC 取付適用規格	CAGE CODE A300779	DRAWING NO. C-174262
2 PLC ± -		WEIGHT 9.3 g	RESTRICTED TO	
3 PLC ± -		CUSTOMER DRAWING	SCALE 2:1	SHEET 1 OF 2
4 PLC ± -			REV A4	
ANGLES ± -				
FINISH 仕上				
MATERIAL 材料 PBT				

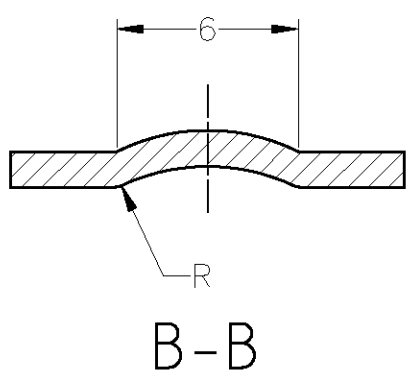
THIS DRAWING IS UNPUBLISHED. RELEASED FOR PUBLICATION
 © COPYRIGHT - By - ALL RIGHTS RESERVED.

LOC	DIST	REVISIONS					
J	-	P	LTR	DESCRIPTION	DATE	DWN	APVD
		-		SEE SHEET 1	-	-	-

ブラケット推奨寸法図
 RECOMMENDED DIMENSION OF BRACKET



t = 1.2 ± 0.08



TOLERANCE UNLESS OTHERWISE SPECIFIED: 一般公差

0 < x ≤ 10	: ±0.2
10 < x ≤ 30	: ±0.25
30 < x ≤ 100	: ±0.3
ANGLE ; 角度	: ±3°

THIS DRAWING IS A CONTROLLED DOCUMENT.		DWN T.SHINOHARA 09FEB04	TE Connectivity	
DIMENSIONS: 単位: 耗 mm		CHK K.BETSUI 09FEB04		
TOLERANCES UNLESS OTHERWISE SPECIFIED: 一般公差		APVD K.BETSUI 09FEB04	NAME 名称 6Pos. ECONOSEAL J-MARK-II+ CONNECTOR PLUG HOUSING	
0 PLC ± -		PRODUCT SPEC 製品規格	SIZE A3	
1 PLC ± -		APPLICATION SPEC 取付適用規格	CAGE CODE 00779	DRAWING NO 番号 C-174262
2 PLC ± -		WEIGHT	RESTRICTED TO -	
3 PLC ± -		CUSTOMER DRAWING		
4 PLC ± -		SCALE 尺度 4:1		
ANGLES ± -		SHEET 2 OF 2		
FINISH 仕上		REV A4		

X-ON Electronics

Largest Supplier of Electrical and Electronic Components

Click to view similar products for [Automotive Connectors](#) category:

Click to view products by [TE Connectivity](#) manufacturer:

Other Similar products are found below :

[003-018-000](#) [600858](#) [60403001](#) [60993906-B](#) [60993913-B](#) [629515004020001](#) [M902-2131](#) [M902-2161](#) [M902-2344](#) [72.330.1035.1](#)
[73.353.4028.0](#) [F118010](#) [F119300-B](#) [F132210](#) [F132210-B](#) [F166900](#) [F180100](#) [F258300](#) [F258300-B](#) [F294300-B](#) [F339100](#) [F339700](#) [F358300-](#)
[B](#) [F374110](#) [F407400](#) [F412210](#) [F427600](#) [F444110](#) [F487000](#) [F495100-B](#) [F500900-B](#) [F509500B-B](#) [770444-1](#) [776880-1](#) [827153-1](#) [881735-1](#)
[8N1515-32-24P](#) [9-1326727-8](#) [9-1326729-8](#) [925467-1](#) [925474-1](#) [928905-1](#) [936398-2](#) [964562-1](#) [964562-4](#) [964731-2](#) [965051-1](#) [968782-1](#)
[GT17SA-8DS-HU](#) [GT17VS-10DP-5.2CF](#)