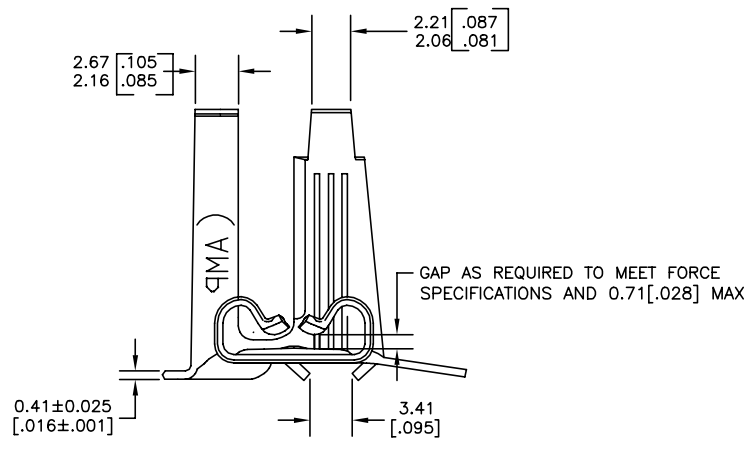
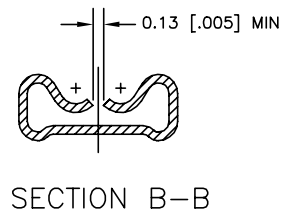
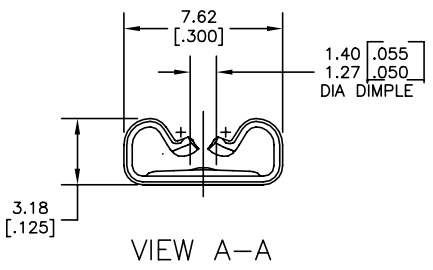
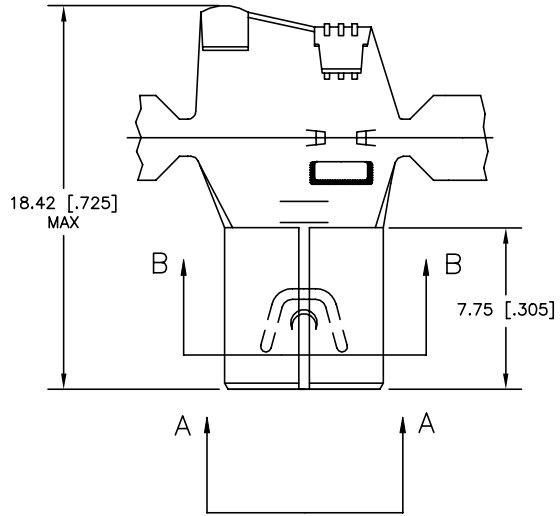


THIS DRAWING IS UNPUBLISHED. RELEASED FOR PUBLICATION  
 © COPYRIGHT - By - ALL RIGHTS RESERVED.

LOC		DIST		REVISIONS				
P	LTR	DESCRIPTION	DATE	DN	APD			
A2		REL PER ECO-13-009003	29MAY13	JR	PD			
A3		REVISED PER ECR-20-009164	13JULY2020	MK	DH			

- 1 CONTINUOUS STRIP ON REELS
- 2 ACCEPTS WIRE SIZE COMBINATIONS OF TWO #14'S, OR TWO #16'S OR ONE #14 WITH ONE #16.
- 3 INSULATION RANGE IS TWO AT 3.56 [.140] MAX DIA
- 4 MATING TAB THK IS 0.84-0.76 [.033-.030]
- 5 0.00381 [.000150] MIN NICKEL PLATE



1742626-1  
 PART NO

THIS DRAWING IS A CONTROLLED DOCUMENT.		DRN: jr_ruth 24JUL07			NAME	
DIMENSIONS: MM [ INCHES ]		CHK: P DESANTIS 24JUL07			NAME	
TOLERANCES UNLESS OTHERWISE SPECIFIED:		APRO: P DESANTIS 24JUL07	PRODUCT SPEC		RECEPTACLE, FASTON, FLAG, 6.35 [.250] SERIES	
0 PLC ± - 1 PLC ± - 2 PLC ± 0.25 [.010] 3 PLC ± - 4 PLC ± - ANGLES ± 5°		APPLICATION SPEC		RESTRICTED TO		
MATERIAL: CR STEEL		FINISH: -- 5		SIZE: A2	CAGE CODE: 00779	DRAWING NO: 1742626
		CUSTOMER DRAWING		SCALE: 6:1	SHEET: 1 of 1	REV: A3

## X-ON Electronics

Largest Supplier of Electrical and Electronic Components

*Click to view similar products for [Terminals](#) category:*

*Click to view products by [TE Connectivity](#) manufacturer:*

Other Similar products are found below :

[00-054007-01074-6](#) [00-054007-70206-1](#) [00-054007-70210-8](#) [00-054007-70217-7](#) [00-054007-70226-9](#) [00-054007-70228-3](#) [00-054007-70248-1](#) [00-054007-70256-6](#) [00-054007-70301-3](#) [00-054007-70316-7](#) [0-0320562-0](#) [00-054007-49560-4](#) [00-054007-70209-2](#) [00-054007-70225-2](#) [00-054007-70227-6](#) [00-054007-70231-3](#) [00-054007-70241-2](#) [00-054007-70242-9](#) [00-054007-70244-3](#) [00-054007-70246-7](#) [00-054007-70263-4](#) [00-054007-70288-7](#) [00-054007-70290-0](#) [00-054007-70300-6](#) [00-054007-70304-4](#) [01-2065-1-0216](#) [01-2900-1-04412](#) [00581P0075](#) [600TS-10](#) [60205-1](#) [604200-1](#) [605601-1](#) [60598-1-CUT-TAPE](#) [61314-6-C](#) [61810-3](#) [61-S](#) [61-SN](#) [626-0194](#) [62-NBM-A](#) [62-SN](#) [62-SP](#) [63-S](#) [640179-1](#) [M55155/059I03](#) [M55155/079C01](#) [M55155/099H02](#) [M55155/109H01](#) [M55155/109H02](#) [M55155/12XH05](#) [M55155/16XH02](#)