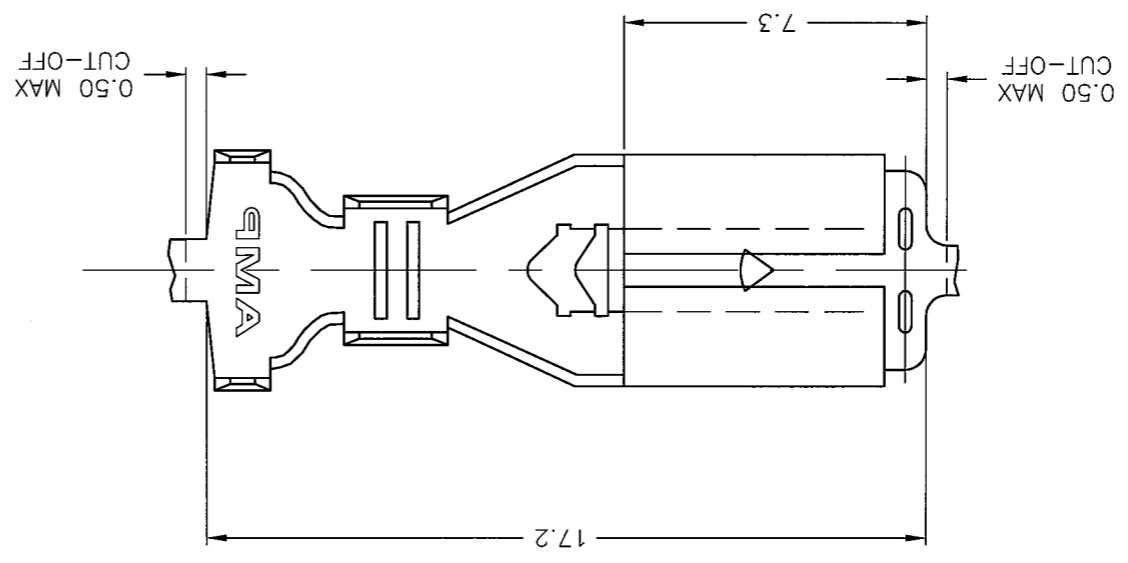
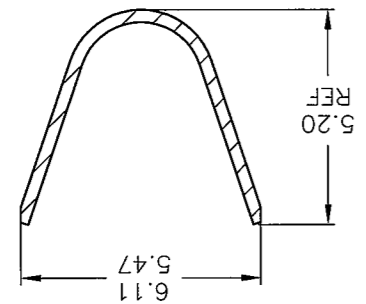
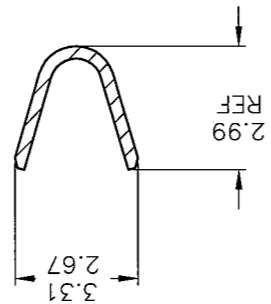
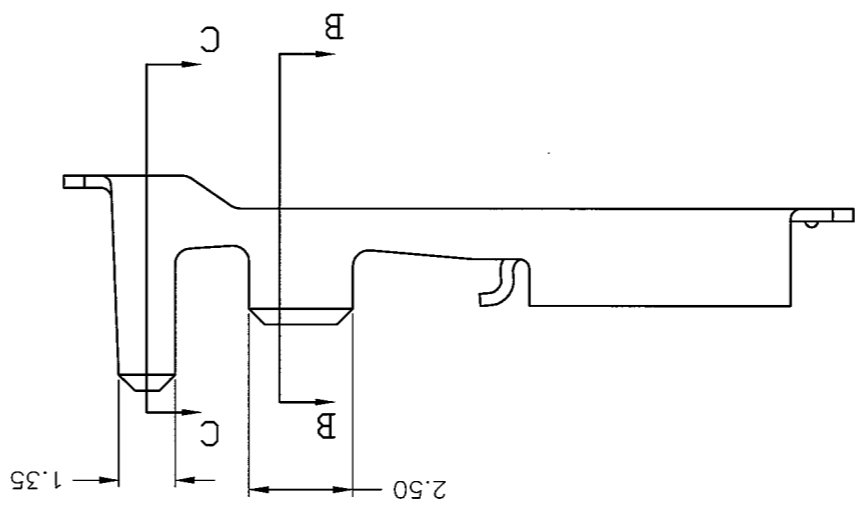
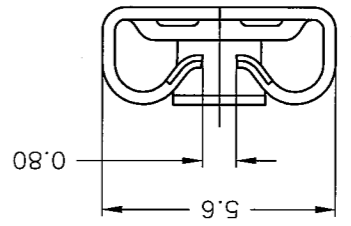


MATERIAL: STEEL 3/4 HARD		FINISH: 0 P.L.C. ±		CUSTOMER DRAWING	
DIMENSIONS: mm		TOLERANCES UNLESS OTHERWISE SPECIFIED:		WEIGHT: -	
0 P.L.C. ±		1 P.L.C. ±		APPLICATION SPEC: -	
1 P.L.C. ±		2 P.L.C. ± 0.15		PRODUCT SPEC: -	
2 P.L.C. ± 0.15		3 P.L.C. ±		ED HOWARD	
3 P.L.C. ±		4 P.L.C. ± .1		APVD: ED HOWARD 03JAN08	
4 P.L.C. ± .1		± .1		CHK: ED HOWARD 03JAN08	
± .1		± .1		DWN: J. Ruth 29DEC07	
± .1		± .1		NAME: TE Connectivity	
± .1		± .1		SIZE: A2	
± .1		± .1		CAGE CODE: 00779	
± .1		± .1		DRAWING NO: 1742669	
± .1		± .1		SCALE: 8:1	
± .1		± .1		SHEET: 1 of 1	
± .1		± .1		REV: B	

THIS DRAWING IS A CONTROLLED DOCUMENT.

PART NO. 1742669-1



- 1 CONTINUOUS STRIP ON REELS
- 2 WIRE SIZE IS 0.5-1.3mm²
REF CRIMP - 2.03, F STYLE
- 3 INSULATION RANGE IS 2.3-3.6 DIA.
REF CRIMP - 3.94, OVERLAP STYLE

REV	DATE	DESCRIPTION	BY	APP'D
50	2MAY2011	REVISIED ECR-11-009084	T.K.N.Y.	
AF				
DIST				

THIS DRAWING IS UNPUBLISHED.
 RELEASED FOR PUBLICATION
 ALL RIGHTS RESERVED.
 Copyright © By -

X-ON Electronics

Largest Supplier of Electrical and Electronic Components

Click to view similar products for [Terminals](#) category:

Click to view products by [TE Connectivity](#) manufacturer:

Other Similar products are found below :

[HT-13-10](#) [71M-250-32-NB](#) [01-2065-1-0216](#) [00581P0075](#) [M10-10RX](#) [M10BCK](#) [60205-1](#) [604200-1](#) [60598-1-CUT-TAPE](#) [60617-1-C](#) [60873-1](#) [M14-516R/SK](#) [M14-6RSX](#) [M18-10FLX](#) [M18-8FBX](#) [M18-8R/LX](#) [M18BCK](#) [61314-6-C](#) [61-S](#) [61-SN-A](#) [62-NBM-A](#) [63-S](#) [640179-1](#) [640917-2-CUT-TAPE](#) [6501550002](#) [66107-2-C](#) [66107-4-C](#) [696683-1](#) [696834-1](#) [696861-1](#) [696931-1](#) [696999-1](#) [M8-516RK](#) [M86700006](#) [MA250DMFMX-A](#) [701-2007](#) [701-2307](#) [701-7761-03](#) [70F-110-32-PB](#) [718-N-A](#) [71M-187-20-NBL](#) [71M-250-32-NBL](#) [72F-187-20-NBL](#) [72M-250-32-NBL](#) [7310](#) [73F-250-32](#) [73F-250-32-NBL](#) [73F-250-32-NL](#) [F14-10C](#) [F-1M](#)