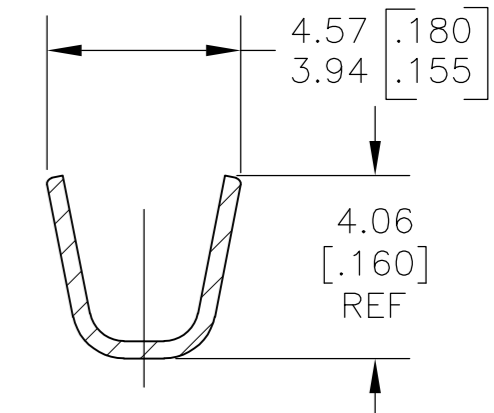
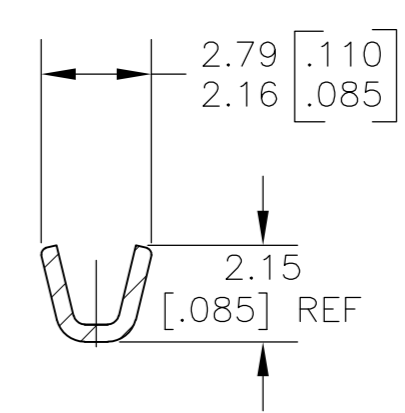
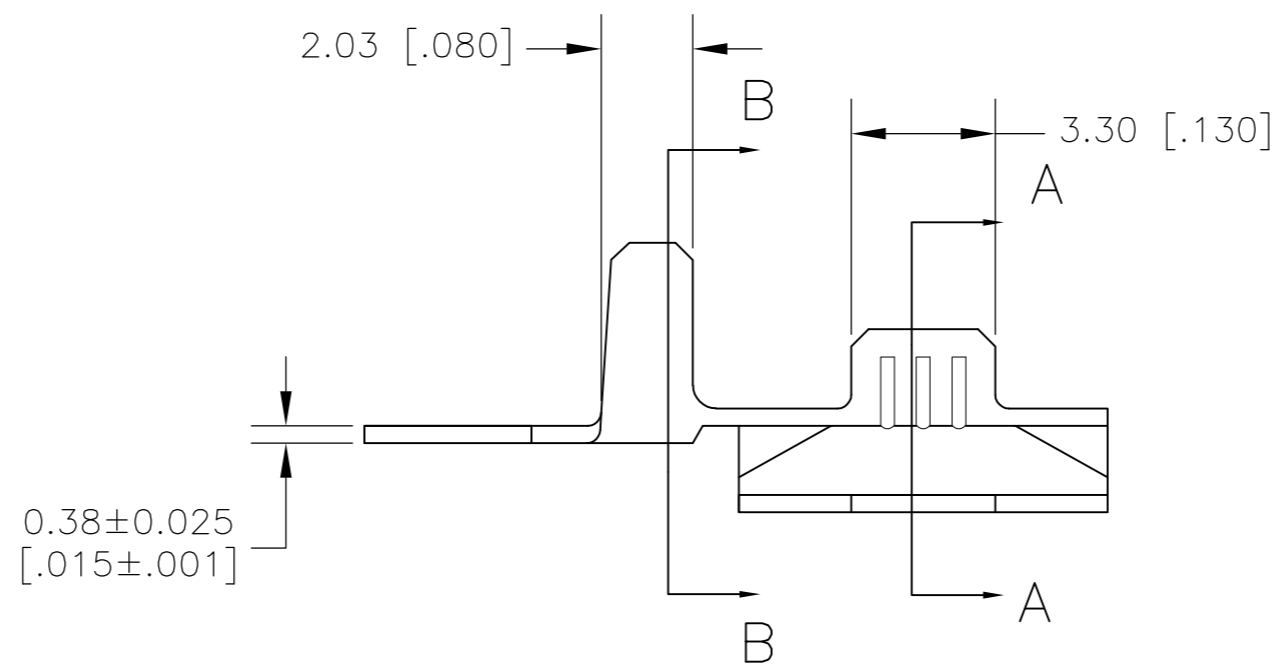
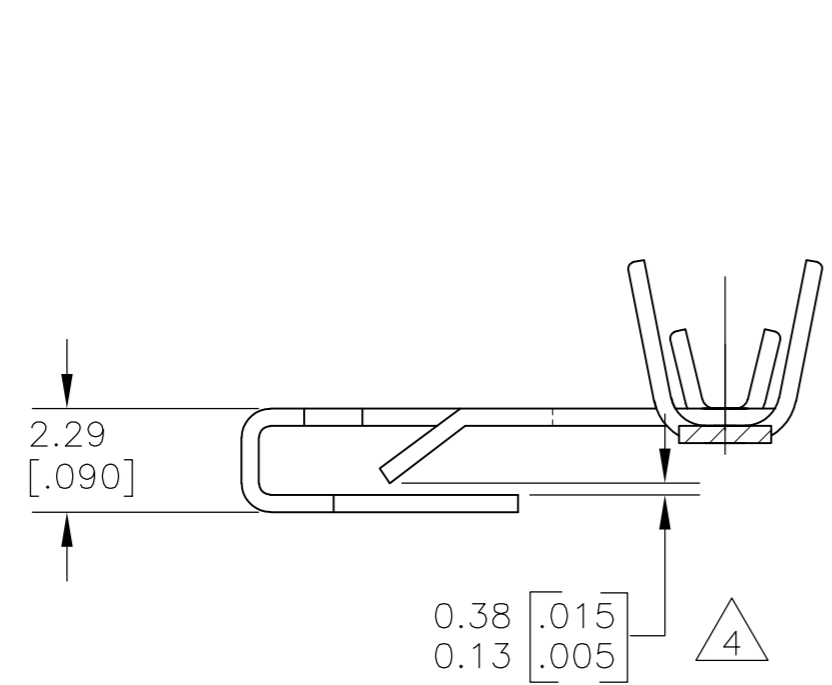
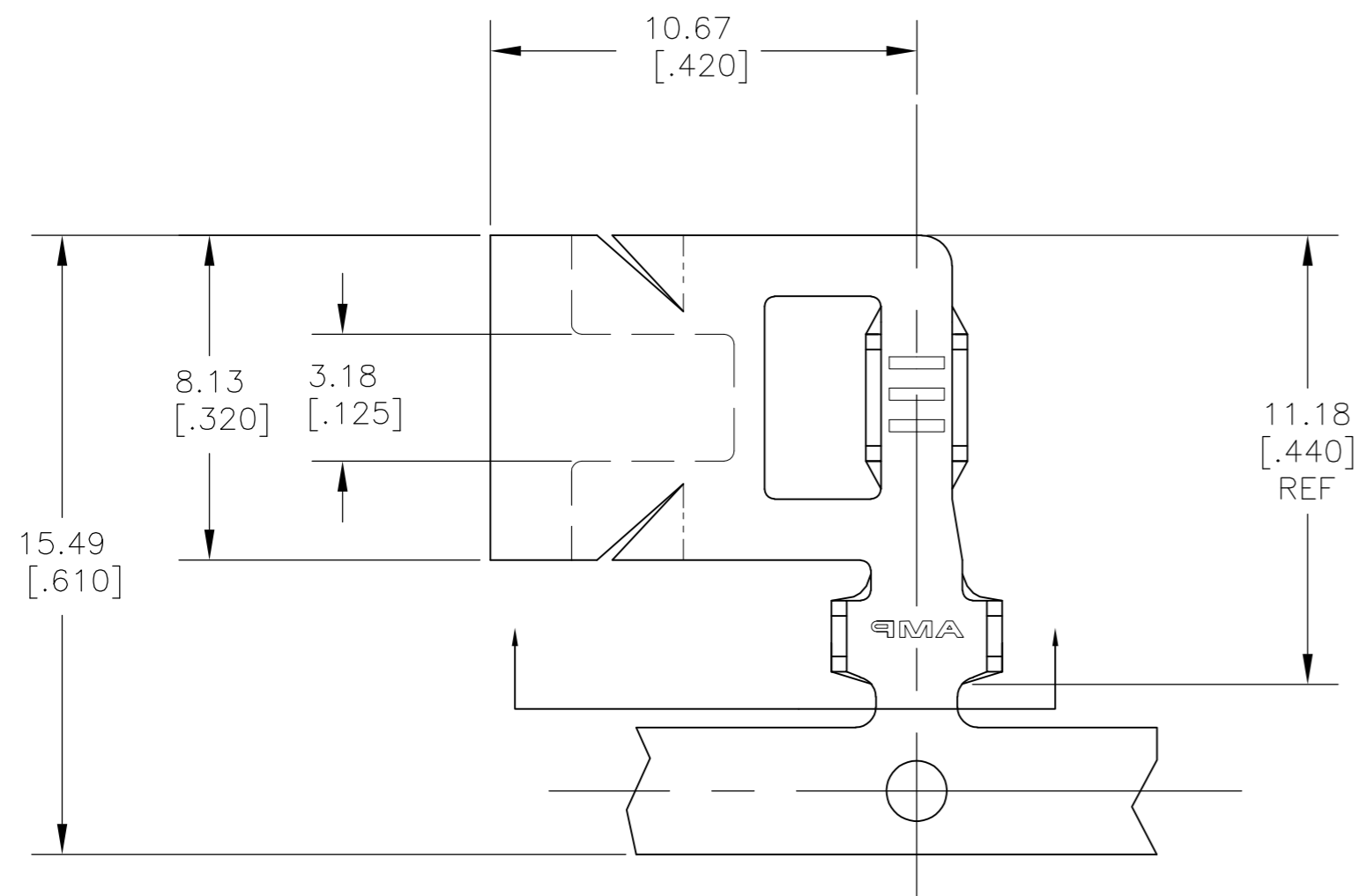


THIS DRAWING IS UNPUBLISHED. RELEASED FOR PUBLICATION  
 © COPYRIGHT BY TYCO ELECTRONICS CORPORATION. ALL RIGHTS RESERVED.

LOC	DIST	REVISIONS			
P	LTR	DESCRIPTION	DATE	DWN	APVD
AF	50	A2	REV PER ECR 09-012372	01JUN09	JR DD

- 1 CONTINUOUS STRIP ON REELS
- 2 WIRE SIZE IS #24-#20 AWG
- 3 INSULATION RANGE IS 1.52-2.62 [.060-.103] DIA
- 4 MATES WITH 0.51-1.04 [.020-.041] THICK PANEL
- 5 PRELIMINARY - NOT FOR PRODUCTION
- 6 PREPRODUCTION - FASR REQUIRED



SECTION A-A SECTION B-B

FINISH	MATERIAL	PART NO
0.002032 [.000080] MIN TIN	HO4 PHOS BRONZE	5 1742778-3
0.002032 [.000080] MIN TIN	TEMP 2 CR STEEL	5 1742778-2
--	1/4 HARD UNS S30100 STAINLESS STEEL	6 1742778-1

THIS DRAWING IS A CONTROLLED DOCUMENT.		DWN jr ruth 28JAN09	Tyco Electronics Corporation Harrisburg, PA 17105-3608	
DIMENSIONS: MM [INCHES]		CHK DON DECKER 28JAN09	NAME -	
TOLERANCES UNLESS OTHERWISE SPECIFIED:		APVD DON DECKER 28JAN09	PRODUCT SPEC -	
0 PLC ± -		APPLICATION SPEC -	SIZE CAGE CODE DRAWING NO RESTRICTED TO	
1 PLC ± -		WEIGHT -	A2 00779 C=1742778	
2 PLC ± 0.25 [.010]		CUSTOMER DRAWING	SCALE 6:1	SHEET 1 of 1
3 PLC ± -				REV A2
4 PLC ± -				
ANGLES ± 5°				
MATERIAL SEE TABLE	FINISH SEE TABLE			

## X-ON Electronics

Largest Supplier of Electrical and Electronic Components

*Click to view similar products for [Terminals](#) category:*

*Click to view products by [TE Connectivity](#) manufacturer:*

Other Similar products are found below :

[00-054007-01074-6](#) [00-054007-70206-1](#) [00-054007-70210-8](#) [00-054007-70217-7](#) [00-054007-70226-9](#) [00-054007-70228-3](#) [00-054007-70248-1](#) [00-054007-70256-6](#) [00-054007-70301-3](#) [00-054007-70316-7](#) [00-054007-49560-4](#) [00-054007-70209-2](#) [00-054007-70225-2](#) [00-054007-70227-6](#) [00-054007-70231-3](#) [00-054007-70241-2](#) [00-054007-70242-9](#) [00-054007-70244-3](#) [00-054007-70246-7](#) [00-054007-70263-4](#) [00-054007-70288-7](#) [00-054007-70290-0](#) [00-054007-70300-6](#) [00-054007-70304-4](#) [01-2065-1-0216](#) [01-2900-1-04412](#) [00581P0075](#) [600TS-10](#) [60205-1](#) [604200-1](#) [605601-1](#) [60598-1-CUT-TAPE](#) [61314-6-C](#) [61810-3](#) [61-S](#) [61-SN](#) [626-0194](#) [62-NBM-A](#) [62-SN](#) [62-SP](#) [63-S](#) [640179-1](#) [M55155/059I03](#) [M55155/079C01](#) [M55155/099H02](#) [M55155/109H01](#) [M55155/109H02](#) [M55155/12XH05](#) [M55155/16XH02](#) [M55155/29-5S](#)