

THIS DRAWING IS UNPUBLISHED.

RELEASED FOR PUBLICATION

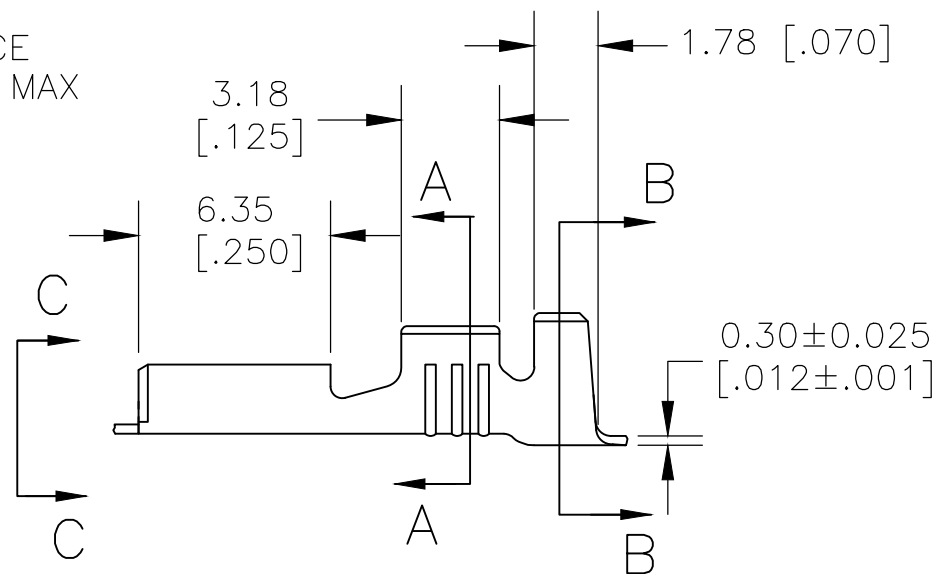
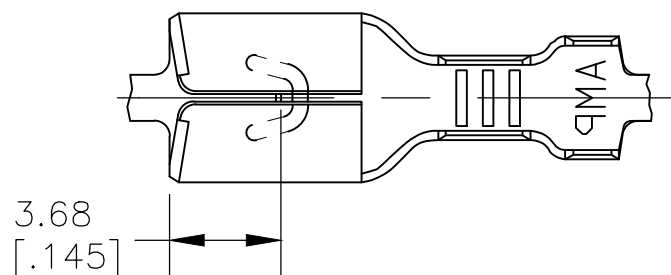
ALL RIGHTS RESERVED.

© COPYRIGHT - By -

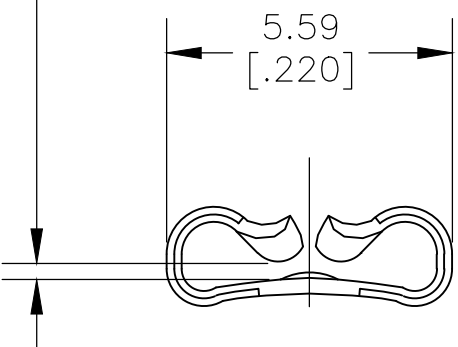
REVISIONS

P	LTR	DESCRIPTION	DATE	DWN	APVD
	A6	REVISED PER ECR-18-004893	02MAY2018	BDA	DH
	A7	REVISED PER ECR-20-009164	13JULY2020	MK	DH

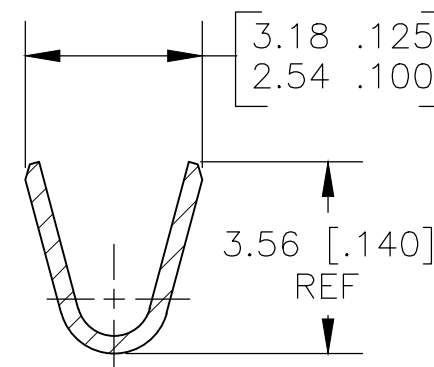
- 1 CONTINUOUS STRIP ON REELS.
- 2 WIRE SIZE #20-#16 AWG
- 3 INSULATION RANGE 2.29-3.30 [.090-.130] DIA
- 4 MATING TAB THK 0.84-0.76 [.033-.030]
- 5 UL APPROVAL FOR AWG 20-16
- 6 UL APPROVAL PENDING FOR AWG 20-16
- 7 OBSOLETE/SUPERSEDED BY PN 2238198-3



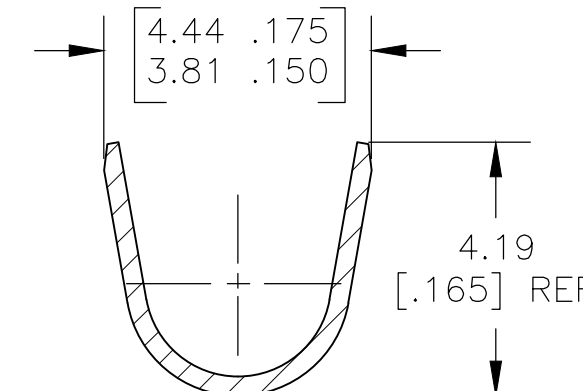
GAP AS REQUIRED TO MEET FORCE SPECIFICATIONS AND 0.71 [.028] MAX



VIEW C-C
SCALE 8:1



SECTION A-A
SCALE 8:1



SECTION B-B
SCALE 8:1

7	6	TIN	BRASS	1742883-3
	5	NICKEL PLATE	CR STEEL	1742883-1
		FINISH	MATERIAL	PART NO

THIS DRAWING IS A CONTROLLED DOCUMENT.		DWN jr_ruth 03MAR11	TE Connectivity		
DIMENSIONS: MM [INCHES]		CHK PETE_DESANTIS 03MAR11			
TOLERANCES UNLESS OTHERWISE SPECIFIED:		APVD PETE_DESANTIS 03MAR11	NAME RECEPTACLE, FASTON, .187 SERIES		
0 PLC ± - 1 PLC ± - 2 PLC ± 0.25 [.010] 3 PLC ± - 4 PLC ± - ANGLES ± 5°		PRODUCT SPEC -	SIZE A3		
MATERIAL SEE TABLE		APPLICATION SPEC -	CAGE CODE 00779	DRAWING NO C-1742883	RESTRICTED TO -
FINISH SEE TABLE		WEIGHT	SCALE 4:1		
		CUSTOMER DRAWING		SHEET 1 OF 1	REV A7

X-ON Electronics

Largest Supplier of Electrical and Electronic Components

Click to view similar products for [Terminals](#) category:

Click to view products by [TE Connectivity](#) manufacturer:

Other Similar products are found below :

[00-054007-01074-6](#) [00-054007-70206-1](#) [00-054007-70210-8](#) [00-054007-70217-7](#) [00-054007-70226-9](#) [00-054007-70228-3](#) [00-054007-70248-1](#) [00-054007-70256-6](#) [00-054007-70301-3](#) [00-054007-70316-7](#) [00-054007-49560-4](#) [00-054007-70209-2](#) [00-054007-70225-2](#) [00-054007-70227-6](#) [00-054007-70231-3](#) [00-054007-70241-2](#) [00-054007-70242-9](#) [00-054007-70244-3](#) [00-054007-70246-7](#) [00-054007-70263-4](#) [00-054007-70288-7](#) [00-054007-70290-0](#) [00-054007-70300-6](#) [00-054007-70304-4](#) [01-2065-1-0216](#) [01-2900-1-04412](#) [00581P0075](#) [600TS-10](#) [60205-1](#) [604200-1](#) [605601-1](#) [60598-1-CUT-TAPE](#) [61314-6-C](#) [61810-3](#) [61-S](#) [61-SN](#) [626-0194](#) [62-NBM-A](#) [62-SN](#) [62-SP](#) [63-S](#) [640179-1](#) [M55155/059I03](#) [M55155/079C01](#) [M55155/099H02](#) [M55155/109H01](#) [M55155/109H02](#) [M55155/12XH05](#) [M55155/16XH02](#) [M55155/29-5S](#)