

THIS DRAWING IS UNPUBLISHED.

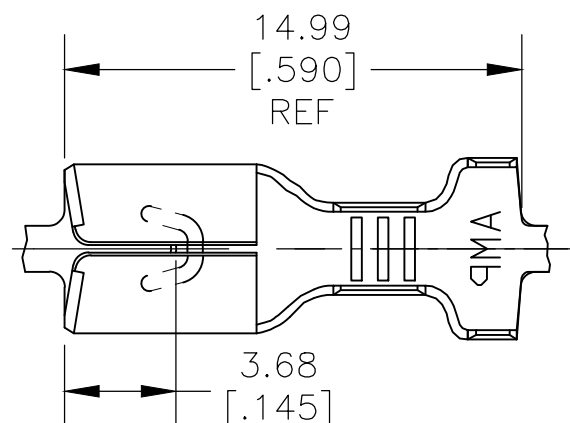
RELEASED FOR PUBLICATION

ALL RIGHTS RESERVED.

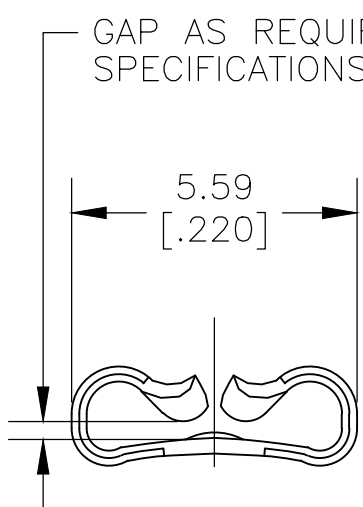
© COPYRIGHT - By -

REVISIONS

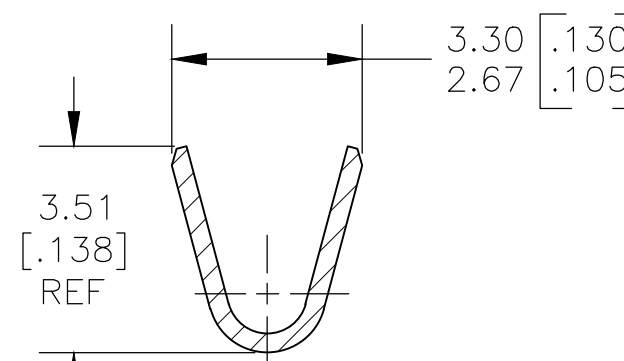
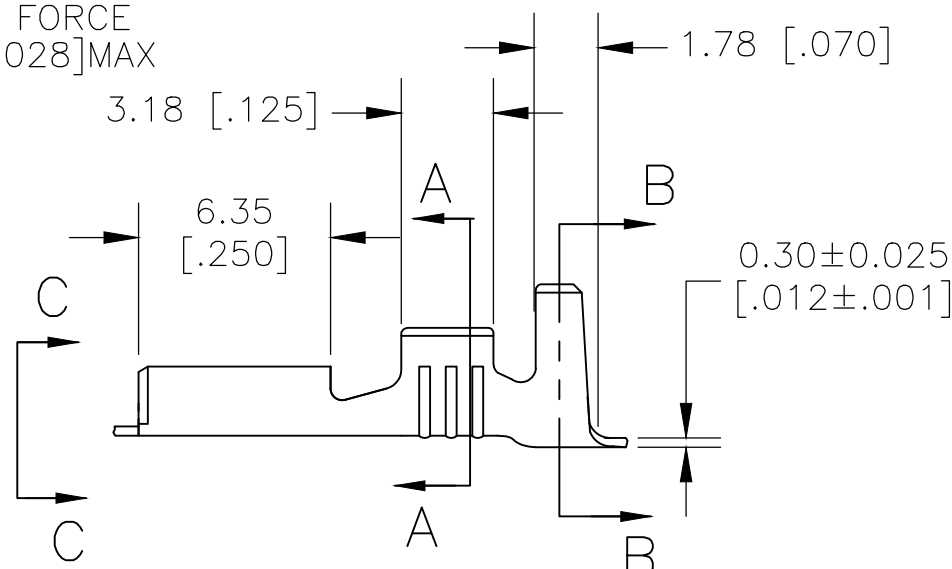
P	LTR	DESCRIPTION	DATE	DWN	APVD
	B	REVISED PER ECR-19-012503	06SEP2019	PC	DH
	B1	REVISED PER ECR-20-009164	13JULY2020	MK	DH



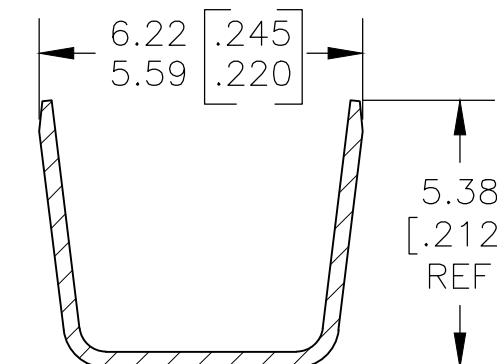
- 1 CONTINUOUS STRIP ON REELS.
- 2 WIRE SIZE #18-#16 OR TWO #18'S AWG
- 3 INSULATION RANGE 2.67-5.33 [.105-.210] DIA OR TWO AT 2.67 MAX [.105] DIA
- 4 MATING TAB THK 0.84-0.76 [.033-.030]
- 5 AWG 18-16 & (2) AWG 18 UL APPROVAL
- 6 PAPER INTERLEAVING ON FINAL PACKAGING. QTY/REEL = 15K/REEL.



VIEW C-C
SCALE 8:1



SECTION A-A
SCALE 8:1



SECTION B-B
SCALE 8:1

OBSOLETE/SUPERSEDED BY PN 2238199-3

	TIN	BRASS	1742899-3
5	NICKEL	STEEL	1742899-1
	FINISH	MATERIAL	PART NO

THIS DRAWING IS A CONTROLLED DOCUMENT.		DWN jr ruth 15MAY11	STE TE Connectivity														
DIMENSIONS: MM [INCHES]		CHK PETE DESANTIS 15MAY11															
TOLERANCES UNLESS OTHERWISE SPECIFIED:		APVD PETE DESANTIS 15MAY11	NAME RECEPTACLE, FASTON, .187 SERIES														
<table border="0"> <tr> <td>0 PLC</td><td>± -</td> </tr> <tr> <td>1 PLC</td><td>± -</td> </tr> <tr> <td>2 PLC</td><td>± 0.25 [.010]</td> </tr> <tr> <td>3 PLC</td><td>± -</td> </tr> <tr> <td>4 PLC</td><td>± -</td> </tr> <tr> <td>ANGLES</td><td>± 5°</td> </tr> </table>		0 PLC	± -	1 PLC	± -	2 PLC	± 0.25 [.010]	3 PLC	± -	4 PLC	± -	ANGLES	± 5°	PRODUCT SPEC -	APPLICATION SPEC -		
0 PLC	± -																
1 PLC	± -																
2 PLC	± 0.25 [.010]																
3 PLC	± -																
4 PLC	± -																
ANGLES	± 5°																
MATERIAL SEE TABLE	FINISH SEE TABLE	WEIGHT	SIZE A3	CAGE CODE 00779	DRAWING NO C-1742899												
CUSTOMER DRAWING			SCALE 4:1	SHEET 1 OF 1	REV B1												

X-ON Electronics

Largest Supplier of Electrical and Electronic Components

Click to view similar products for [Terminals](#) category:

Click to view products by [TE Connectivity](#) manufacturer:

Other Similar products are found below :

[00-054007-01074-6](#) [00-054007-70206-1](#) [00-054007-70210-8](#) [00-054007-70217-7](#) [00-054007-70226-9](#) [00-054007-70228-3](#) [00-054007-70248-1](#) [00-054007-70256-6](#) [00-054007-70301-3](#) [00-054007-70316-7](#) [0-0320562-0](#) [00-054007-49560-4](#) [00-054007-70209-2](#) [00-054007-70225-2](#) [00-054007-70227-6](#) [00-054007-70231-3](#) [00-054007-70241-2](#) [00-054007-70242-9](#) [00-054007-70244-3](#) [00-054007-70246-7](#) [00-054007-70263-4](#) [00-054007-70288-7](#) [00-054007-70290-0](#) [00-054007-70300-6](#) [00-054007-70304-4](#) [01-2065-1-0216](#) [01-2900-1-04412](#) [00581P0075](#) [600TS-10](#) [60205-1](#) [604200-1](#) [605601-1](#) [60598-1-CUT-TAPE](#) [61314-6-C](#) [61810-3](#) [61-S](#) [61-SN](#) [626-0194](#) [62-NBM-A](#) [62-SN](#) [62-SP](#) [63-S](#) [640179-1](#) [M55155/059I03](#) [M55155/079C01](#) [M55155/099H02](#) [M55155/109H01](#) [M55155/109H02](#) [M55155/12XH05](#) [M55155/16XH02](#)