

THIS DRAWING IS UNPUBLISHED.

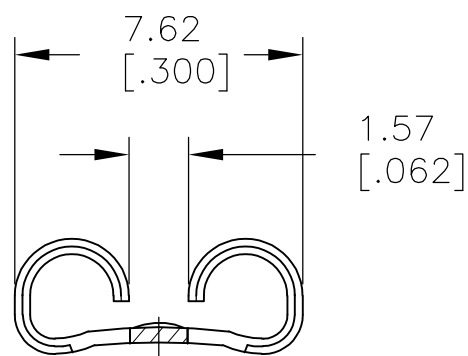
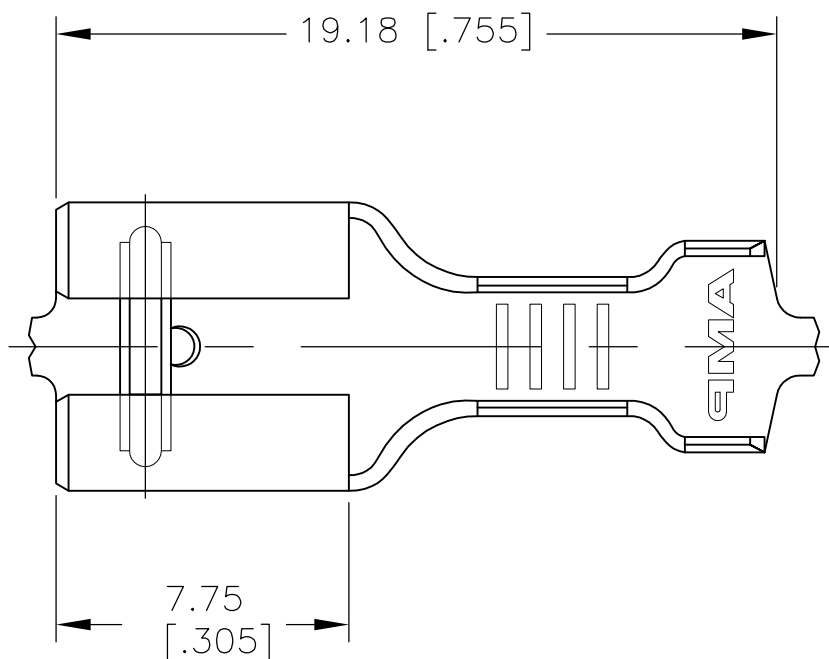
RELEASED FOR PUBLICATION

© COPYRIGHT - By -

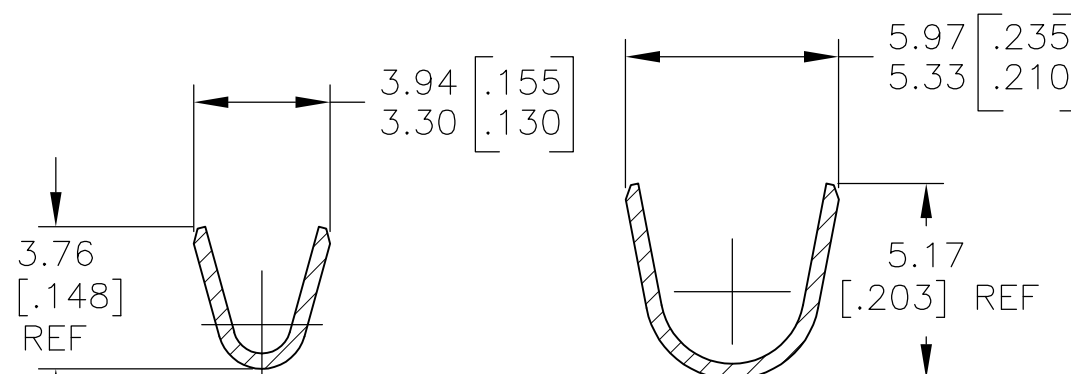
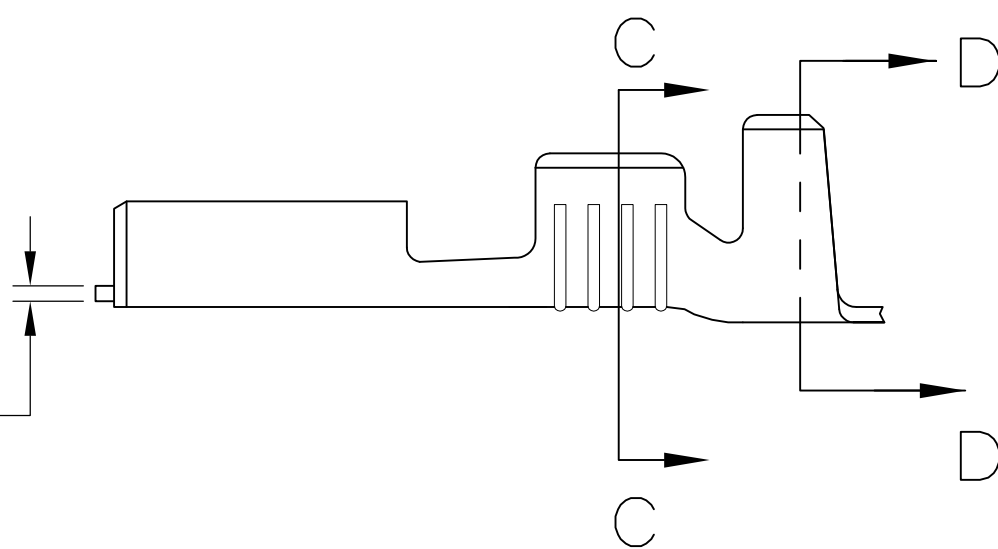
ALL RIGHTS RESERVED.

LOC	DIST	REVISIONS					
		P	LTR	DESCRIPTION	DATE	DWN	APVD
AF	50		A	RELEASED PER ECO 13-017563	08NOV13	JR	PD

- 1 CONTINUOUS STRIP ON REELS
- 2 WIRE SIZE IS #18-#14 AWG
- 3 INSULATION RANGE IS 3.05-4.32 [.120-.170] DIA
- 4 MATING TAB THK IS 0.81±0.025 [.032±.001]



0.41±0.025
[.016±.001]



SECTION C-C SECTION D-D

TIN PLATE	1742971-4
NONE	1742971-3
FINISH	PART NO.

THIS DRAWING IS A CONTROLLED DOCUMENT.		DWN JR RUTH 25MAR2013	TE Connectivity			
DIMENSIONS: MM [INCHES]		CHK PETE DESANTIS 25MAR13				NAME
		APVD PETE DESANTIS 25MAR13	RECEPTACLE, FASTON, LOW-INSERTION, .250 SERIES			
TOLERANCES UNLESS OTHERWISE SPECIFIED: 0 PLC ± - 1 PLC ± - 2 PLC ± 0.25 [.010] 3 PLC ± - 4 PLC ± - ANGLES ± -		PRODUCT SPEC -	SIZE	CAGE CODE	DRAWING NO	RESTRICTED TO
MATERIAL BRASS		FINISH SEE TABLE	WEIGHT -	A300779	C-1742971	-
CUSTOMER DRAWING			SCALE 5:1	SHEET 1 OF 1	REV A	

X-ON Electronics

Largest Supplier of Electrical and Electronic Components

Click to view similar products for [Terminals](#) category:

Click to view products by [TE Connectivity](#) manufacturer:

Other Similar products are found below :

[00-054007-01074-6](#) [00-054007-70206-1](#) [00-054007-70210-8](#) [00-054007-70217-7](#) [00-054007-70226-9](#) [00-054007-70228-3](#) [00-054007-70248-1](#) [00-054007-70256-6](#) [00-054007-70301-3](#) [00-054007-70316-7](#) [0-0320562-0](#) [00-054007-49560-4](#) [00-054007-70209-2](#) [00-054007-70225-2](#) [00-054007-70227-6](#) [00-054007-70231-3](#) [00-054007-70241-2](#) [00-054007-70242-9](#) [00-054007-70244-3](#) [00-054007-70246-7](#) [00-054007-70263-4](#) [00-054007-70288-7](#) [00-054007-70290-0](#) [00-054007-70300-6](#) [00-054007-70304-4](#) [01-2065-1-0216](#) [01-2900-1-04412](#) [00581P0075](#) [600TS-10](#) [60205-1](#) [604200-1](#) [605601-1](#) [60598-1-CUT-TAPE](#) [61314-6-C](#) [61810-3](#) [61-S](#) [61-SN](#) [626-0194](#) [62-NBM-A](#) [62-SN](#) [62-SP](#) [63-S](#) [640179-1](#) [M55155/059I03](#) [M55155/079C01](#) [M55155/099H02](#) [M55155/109H01](#) [M55155/109H02](#) [M55155/12XH05](#) [M55155/16XH02](#)