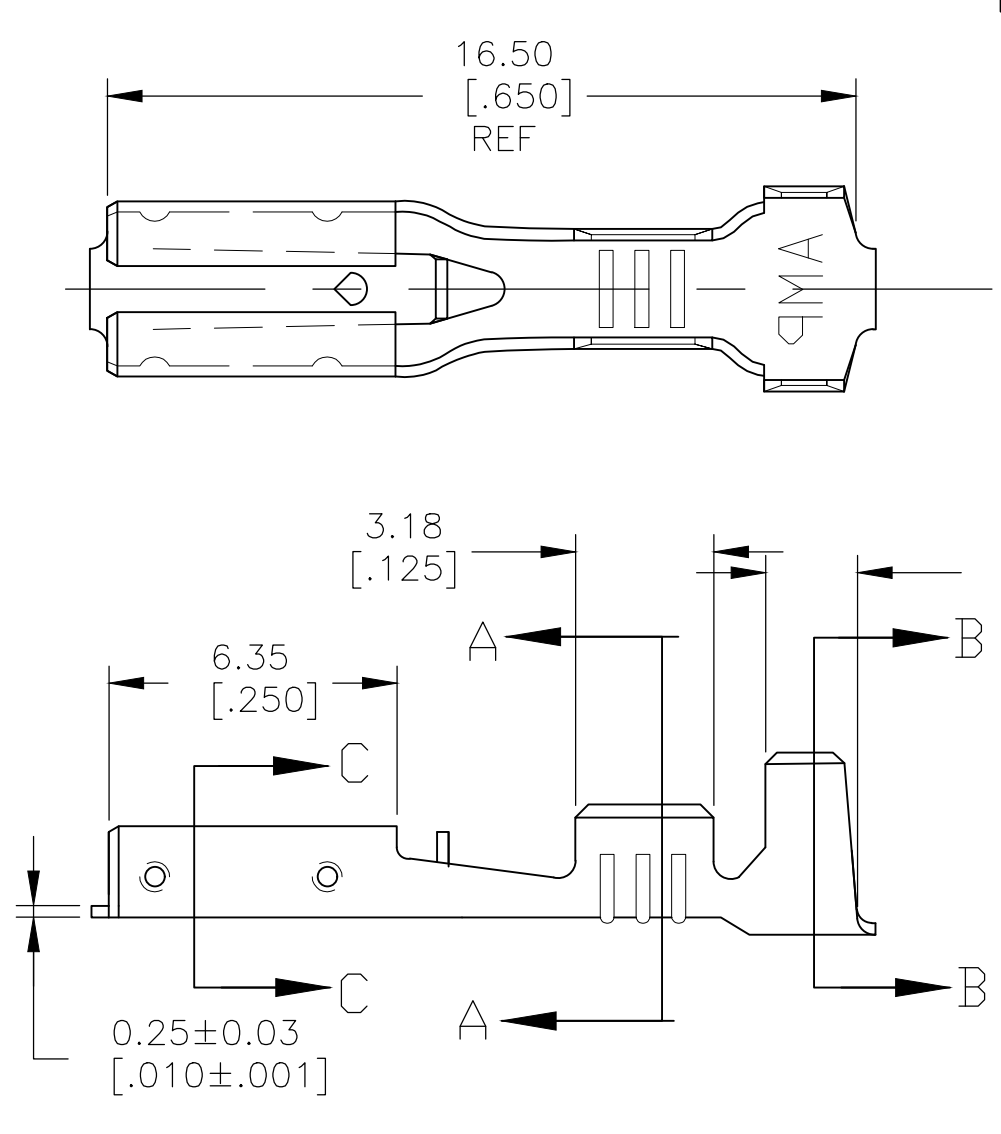
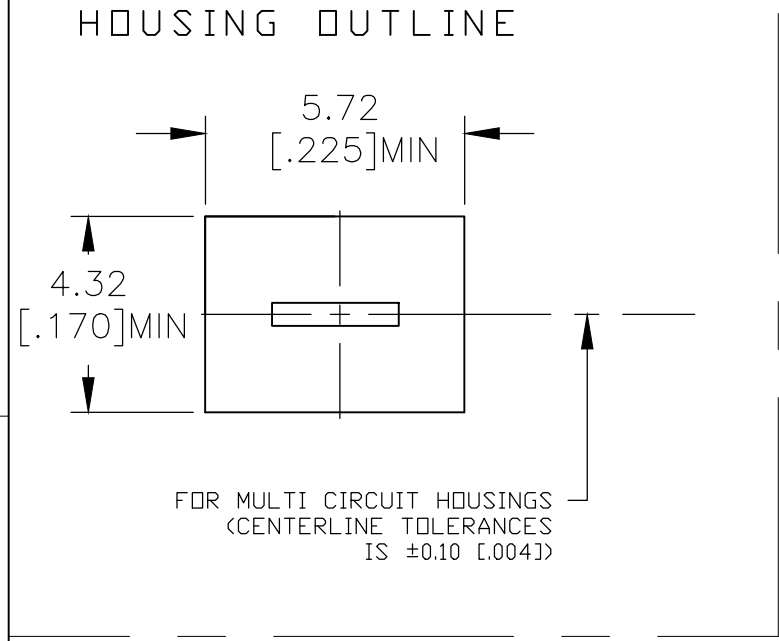
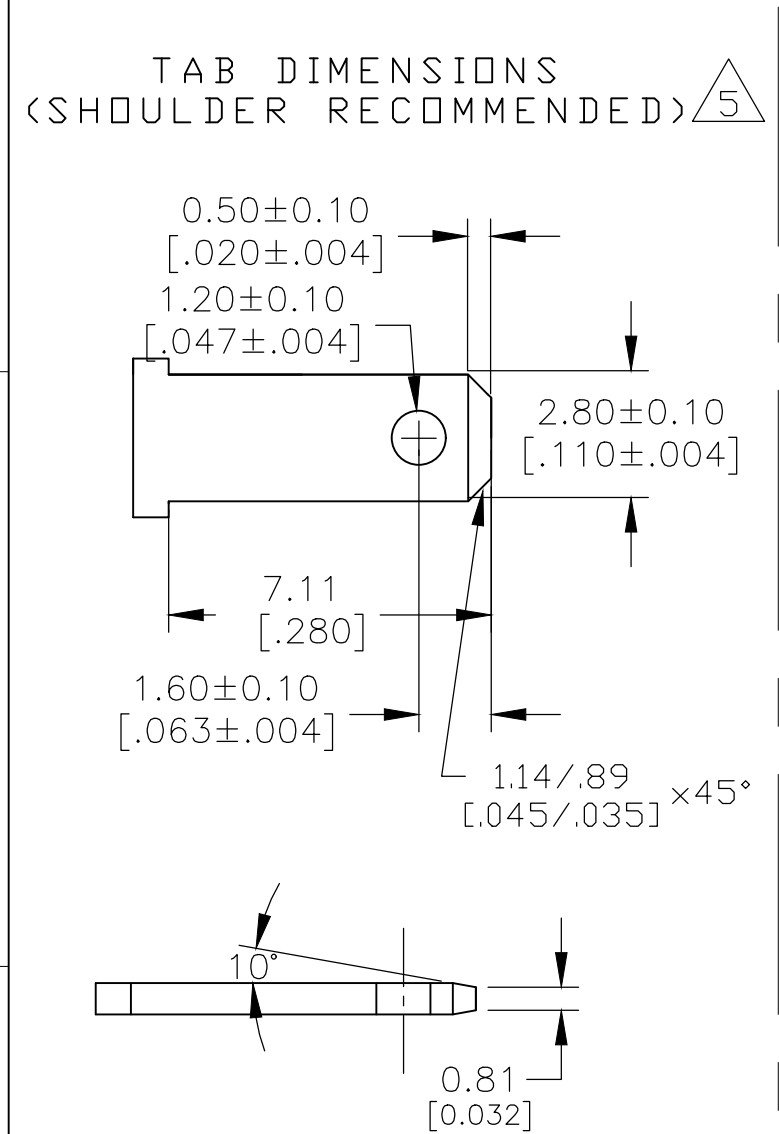
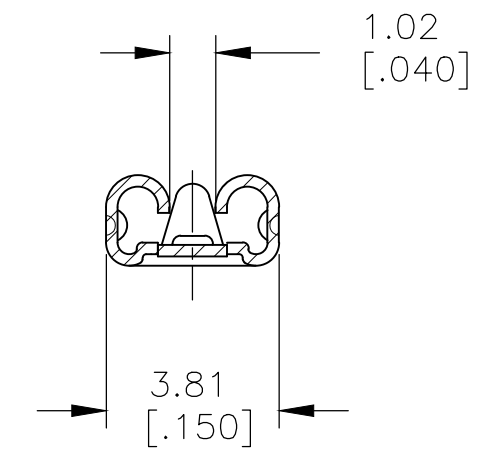
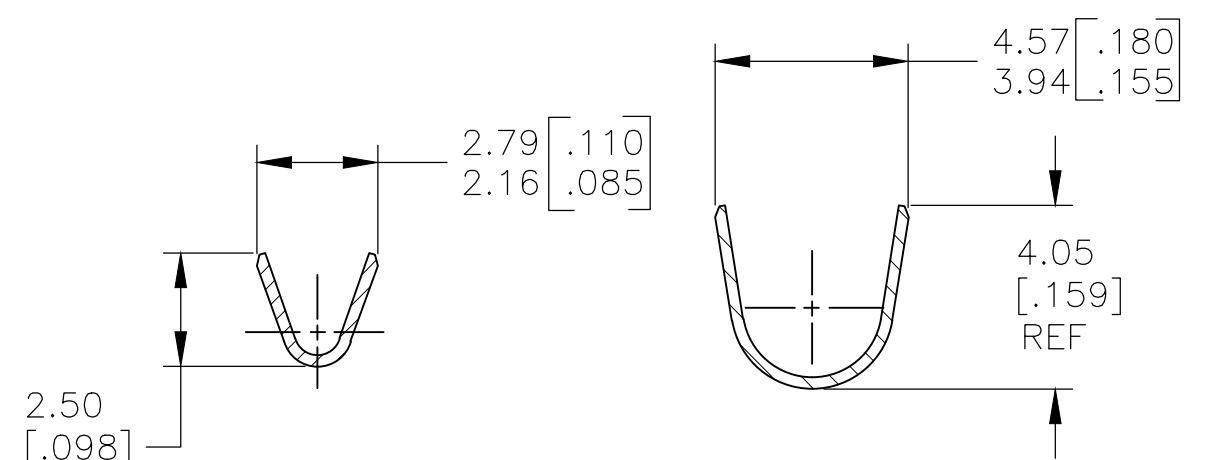


THIS DRAWING IS UNPUBLISHED. RELEASED FOR PUBLICATION
 © COPYRIGHT - By - ALL RIGHTS RESERVED.

LOC	DIST	REVISIONS					
AF	50	P	LTR	DESCRIPTION	DATE	DWN	APVD
		B2		REV PER ECR-19-018647	13JAN2020	MK	TD



- CONTINUOUS STRIP ON REELS
- WIRE SIZE [#22-#18].
- INSULATION RANGE 2.03-3.05 [.080-.120] DIA
- MATING TAB THK 0.81±0.025 [.032±.001].
- RECOMMEND TO USE WITH TABS WITH SHOULDERS. MAXIMUM LENGTH FOR TABS WITHOUT SHOULDERS TO BE 8.38 [.330].
- REVERSE REEL PACKING



1742975-2
1742975-1
PART NUMBER

THIS DRAWING IS A CONTROLLED DOCUMENT.		DWN jr ruth 17MAY12	TE Connectivity	
DIMENSIONS: MM [INCHES]		CHK PETE DESANTIS 17MAY12		
TOLERANCES UNLESS OTHERWISE SPECIFIED:		APVD PETE DESANTIS 17MAY12	NAME	
0 PLC ± -		PRODUCT SPEC	RECEPTACLE, POSI-LOCK, 2.79 [.110] SERIES	
1 PLC ± -		108-106503	-	
2 PLC ± 0.25 [.010]		APPLICATION SPEC	SIZE	CAGE CODE
3 PLC ± -		114-2074	A3	00779
4 PLC ± -		WEIGHT	DRAWING NO	RESTRICTED TO
ANGLES ± -		CUSTOMER DRAWING	C-1742975	-
FINISH		SCALE 6:1 SHEET 1 OF 1 REV B2		
BRASS	TIN PLATE			

X-ON Electronics

Largest Supplier of Electrical and Electronic Components

Click to view similar products for [Terminals](#) category:

Click to view products by [TE Connectivity](#) manufacturer:

Other Similar products are found below :

[00-054007-01074-6](#) [00-054007-70206-1](#) [00-054007-70210-8](#) [00-054007-70217-7](#) [00-054007-70226-9](#) [00-054007-70228-3](#) [00-054007-70248-1](#) [00-054007-70256-6](#) [00-054007-70301-3](#) [00-054007-70316-7](#) [0-0320562-0](#) [00-054007-49560-4](#) [00-054007-70209-2](#) [00-054007-70225-2](#) [00-054007-70227-6](#) [00-054007-70231-3](#) [00-054007-70241-2](#) [00-054007-70242-9](#) [00-054007-70244-3](#) [00-054007-70246-7](#) [00-054007-70263-4](#) [00-054007-70288-7](#) [00-054007-70290-0](#) [00-054007-70300-6](#) [00-054007-70304-4](#) [01-2065-1-0216](#) [01-2900-1-04412](#) [00581P0075](#) [600TS-10](#) [60205-1](#) [604200-1](#) [605601-1](#) [60598-1-CUT-TAPE](#) [61314-6-C](#) [61810-3](#) [61-S](#) [61-SN](#) [626-0194](#) [62-NBM-A](#) [62-SN](#) [62-SP](#) [63-S](#) [640179-1](#) [M55155/059I03](#) [M55155/079C01](#) [M55155/099H02](#) [M55155/109H01](#) [M55155/109H02](#) [M55155/12XH05](#) [M55155/16XH02](#)