

THIS DRAWING IS UNPUBLISHED.

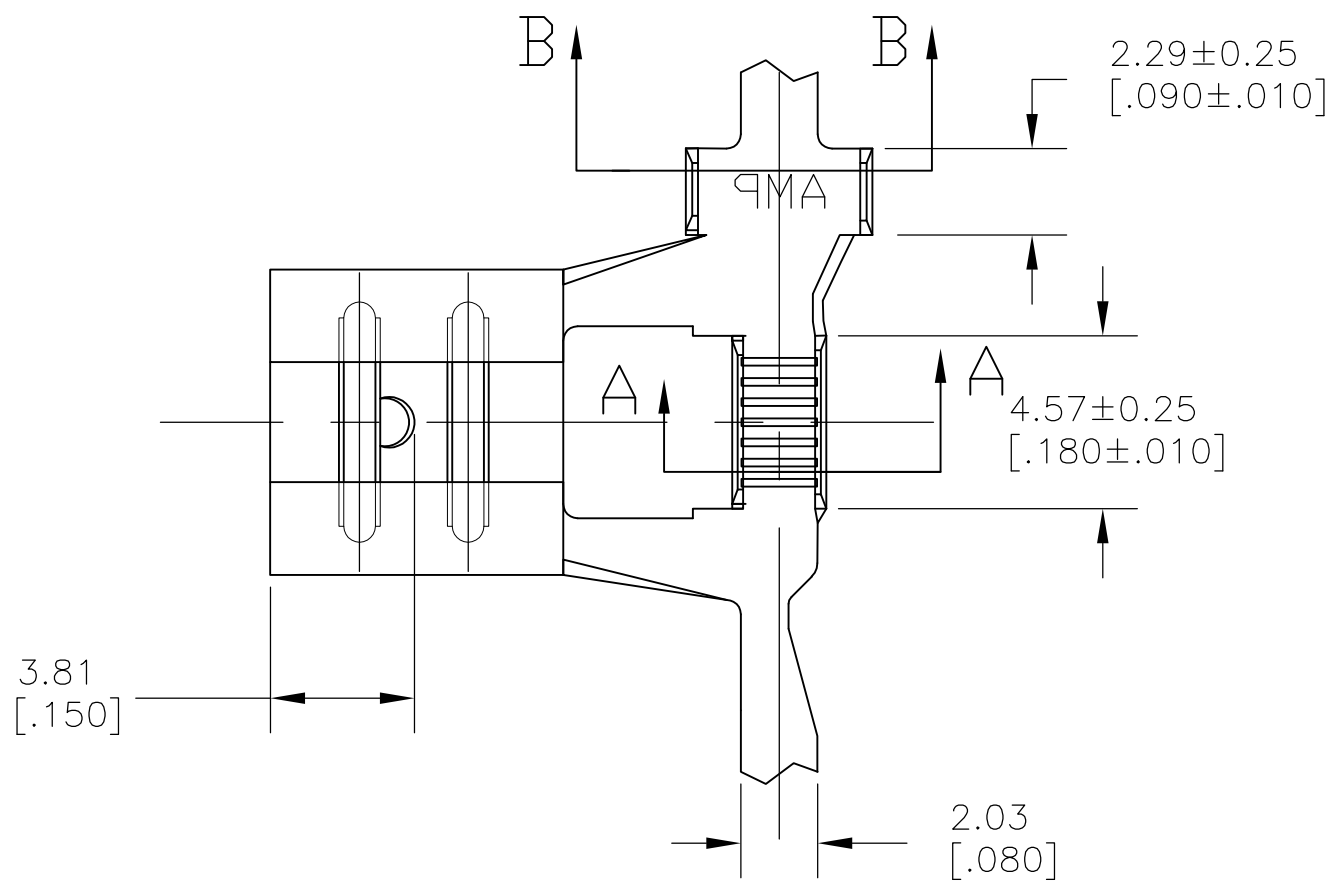
RELEASED FOR PUBLICATION

© COPYRIGHT - By TYCO ELECTRONICS CORPORATION.

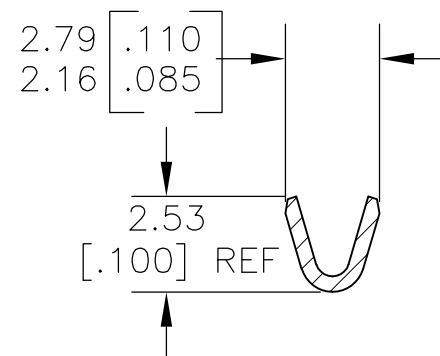
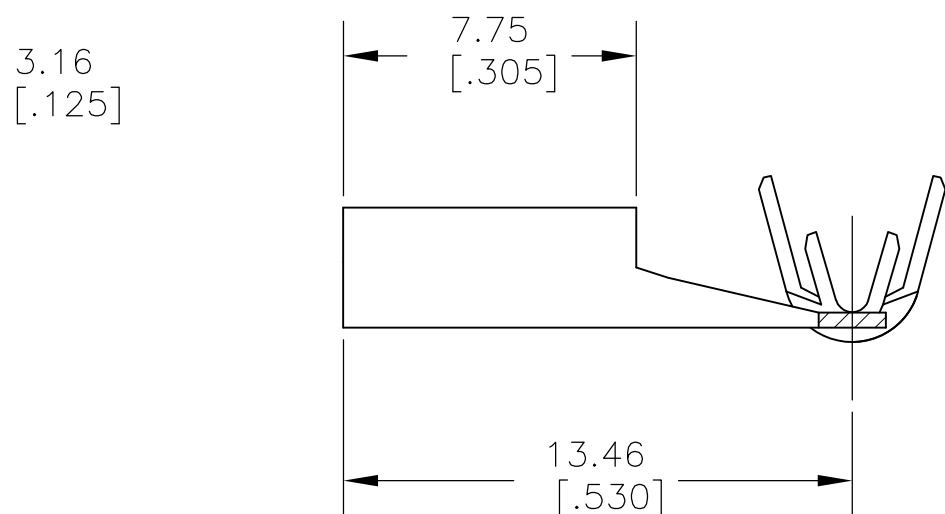
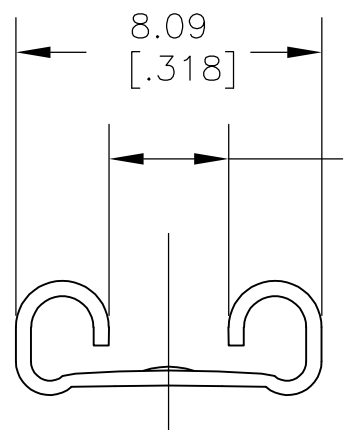
ALL RIGHTS RESERVED.

REVISIONS

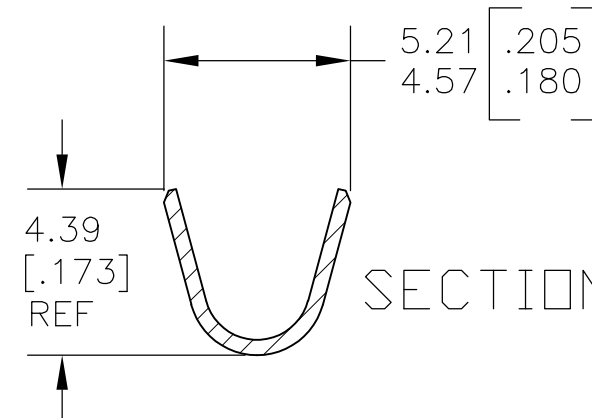
P	LTR	DESCRIPTION	DATE	DWN	APVD
	B3	REVISE PER ECR-17-008694	20JUN2017	ANDY	PKS



- 1 CONTINUOUS STRIP ON REELS
- 2 WIRE SIZE IS 500-1900 CMA, 0.6-1.1mm DIA., SINGLE WIRE CRIMP WIDTH IS 1.78 [.070], F TYPE CRIMP HEIGHT(±0.05)=(Total CMA+5300)/126400
- 3 INSULATION RANGE 2.54-3.05 [.100-.120] DIA. CRIMP WIDTH IS 3.56 [.140], OVERLAP TYPE
- △ 4 0.002032 [.000080] MIN TIN PLATE
- 5 MATING TAB THK IS 0.81±0.025 [.032±.001].
- △ 6 0.001016 [.000040] MIN TIN PLATE



SECTION A-A



SECTION B-B

△ 6	1742881-2
△ 4	1742881-1
FINISH	PART NO

THIS DRAWING IS A CONTROLLED DOCUMENT.		DWN jr_ruth 08DEC10	<b>STE</b> TE Connectivity		
DIMENSIONS: MM [ INCHES ]		CHK PETE_DESANTIS 08DEC10			
TOLERANCES UNLESS OTHERWISE SPECIFIED:		APVD PETE_DESANTIS 08DEC10	NAME RECEPTACLE, FASTON, FLAG, AMPLIVAR, 6.35 [.250] SERIES		
0 PLC ± -		PRODUCT SPEC 108-2086	SIZE A3		
1 PLC ± -		APPLICATION SPEC 114-2152	CAGE CODE 00779	DRAWING NO C-1742881	RESTRICTED TO -
2 PLC ± 0.25 [.010]		WEIGHT 0.915	SCALE 5:1		
3 PLC ± -		CUSTOMER DRAWING	SHEET 1 OF 1		
4 PLC ± -			REV B3		
ANGLES ± 5°					
MATERIAL BRASS		FINISH SEE TABLE			

## X-ON Electronics

Largest Supplier of Electrical and Electronic Components

*Click to view similar products for [Terminals](#) category:*

*Click to view products by [TE Connectivity](#) manufacturer:*

Other Similar products are found below :

[00-054007-01074-6](#) [00-054007-70206-1](#) [00-054007-70210-8](#) [00-054007-70217-7](#) [00-054007-70226-9](#) [00-054007-70228-3](#) [00-054007-70248-1](#) [00-054007-70256-6](#) [00-054007-70301-3](#) [00-054007-70316-7](#) [00-054007-49560-4](#) [00-054007-70209-2](#) [00-054007-70225-2](#) [00-054007-70227-6](#) [00-054007-70231-3](#) [00-054007-70241-2](#) [00-054007-70242-9](#) [00-054007-70244-3](#) [00-054007-70246-7](#) [00-054007-70263-4](#) [00-054007-70288-7](#) [00-054007-70290-0](#) [00-054007-70300-6](#) [00-054007-70304-4](#) [01-2065-1-0216](#) [01-2900-1-04412](#) [00581P0075](#) [600TS-10](#) [60205-1](#) [604200-1](#) [605601-1](#) [60598-1-CUT-TAPE](#) [61314-6-C](#) [61810-3](#) [61-S](#) [61-SN](#) [626-0194](#) [62-NBM-A](#) [62-SN](#) [62-SP](#) [63-S](#) [640179-1](#) [M55155/059I03](#) [M55155/079C01](#) [M55155/099H02](#) [M55155/109H01](#) [M55155/109H02](#) [M55155/12XH05](#) [M55155/16XH02](#) [M55155/29-5S](#)