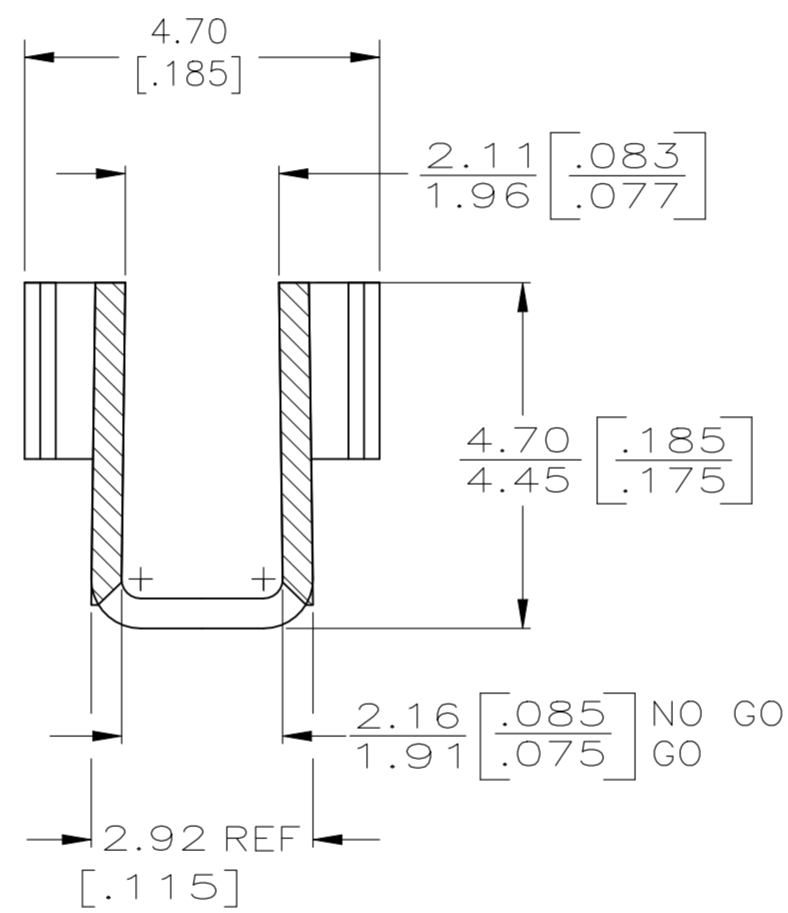
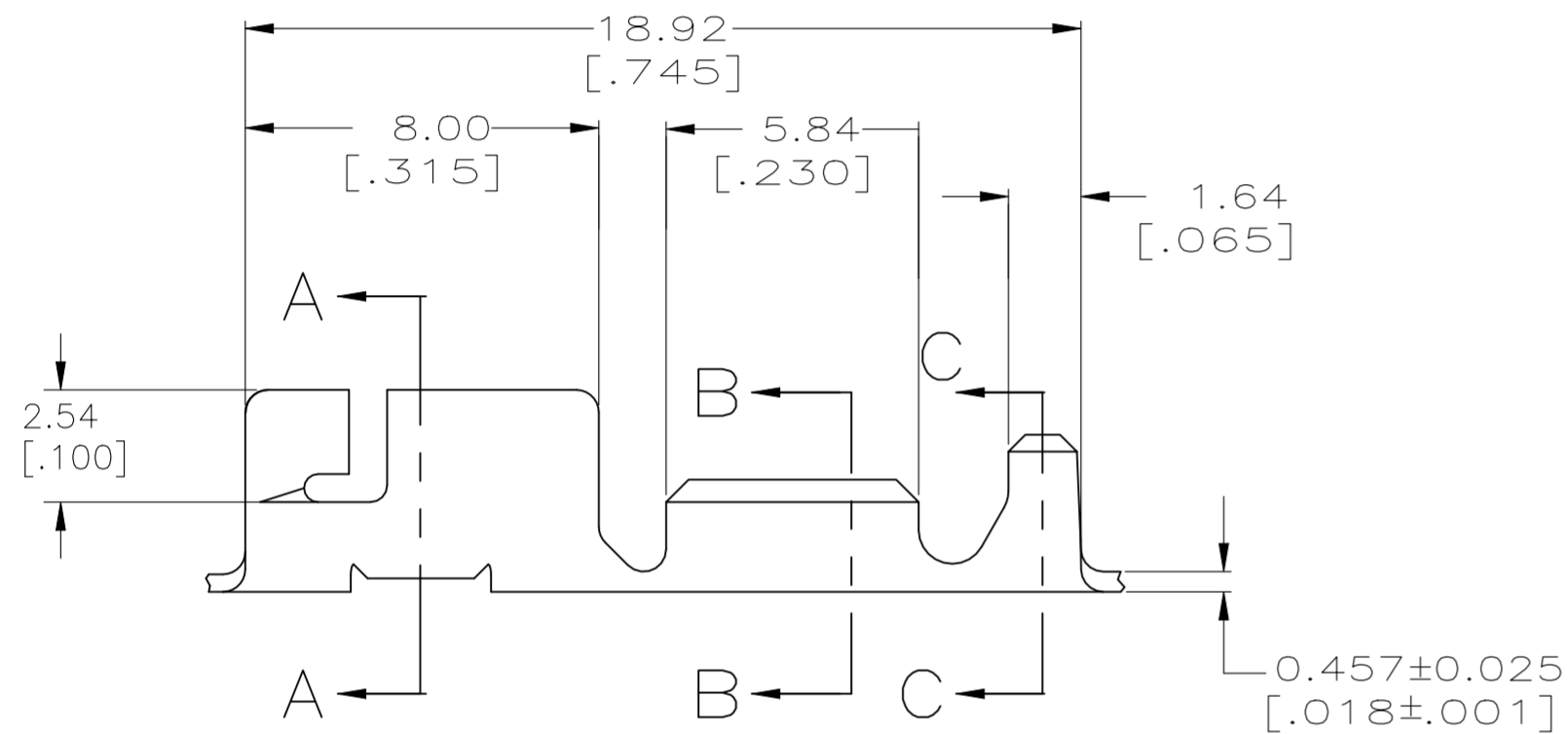
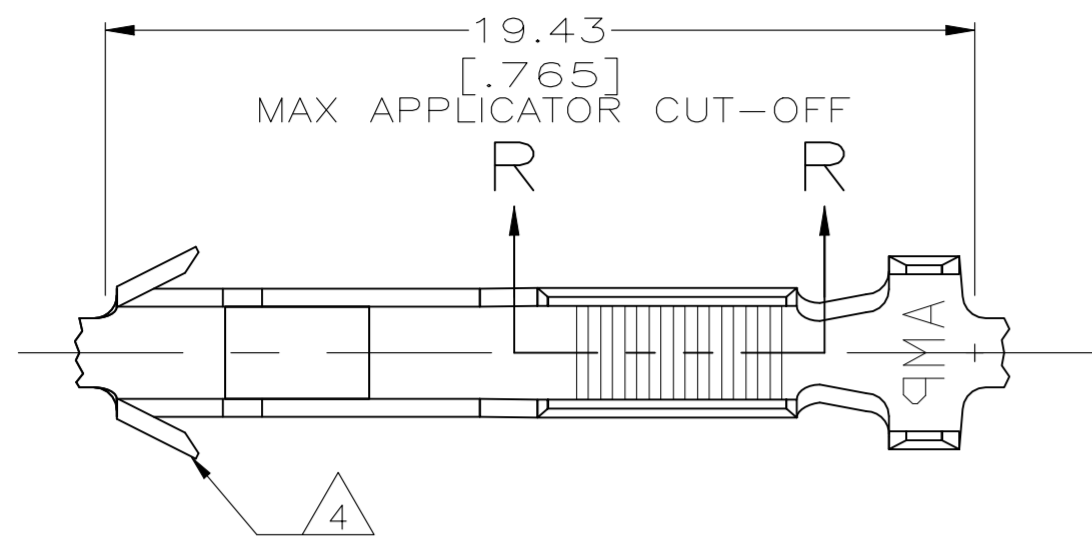
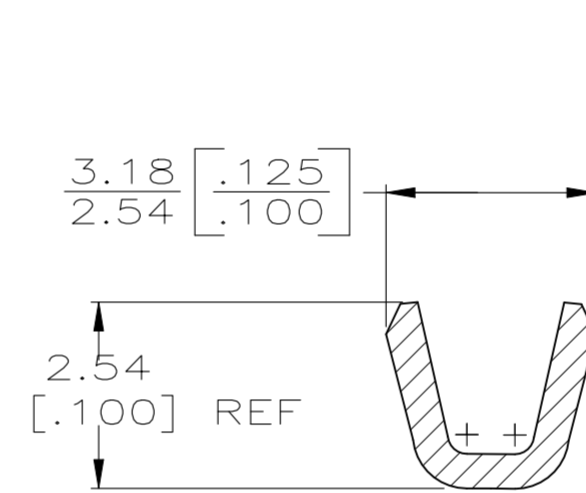


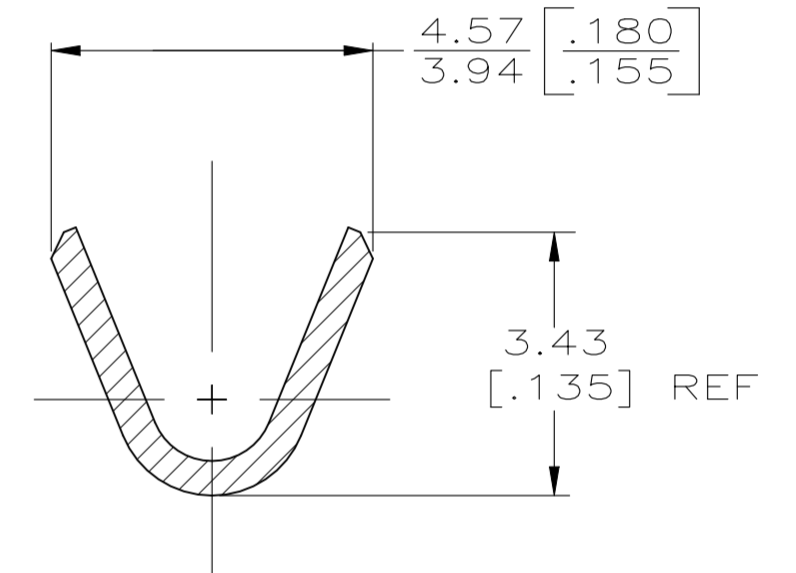
LOC	DIST	REVISIONS			
P	LTR	DESCRIPTION	DATE	DWN	APVD
AF	52	B1	REVISED PER ECR-14-006514	06APR2021	SE DT



SECTION A-A
SCALE 10:1

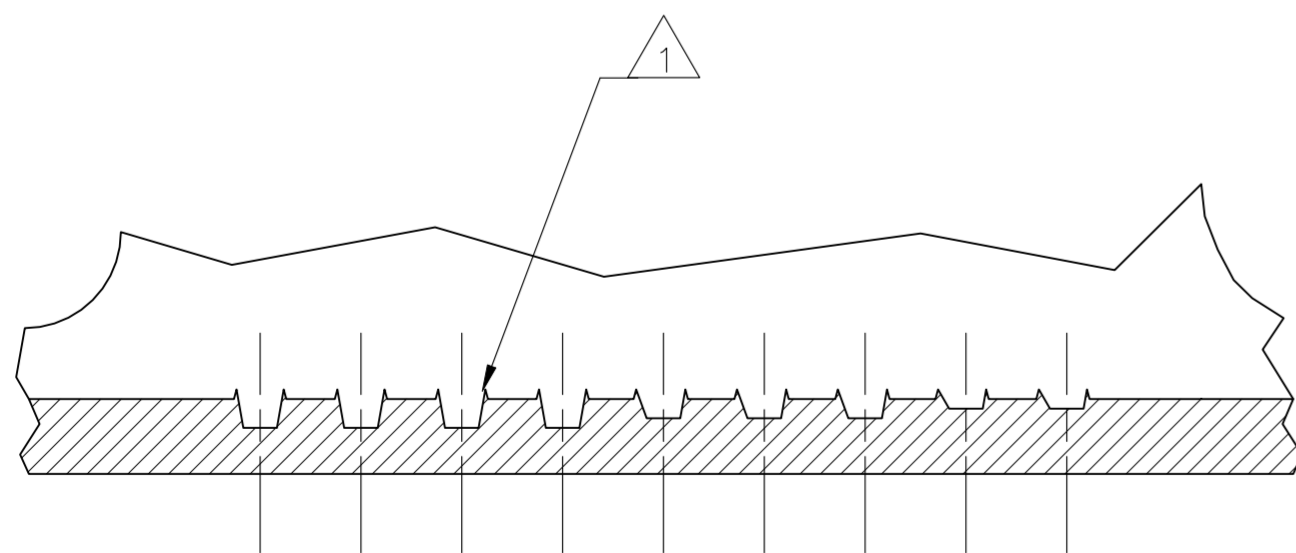


SECTION B-B
SCALE 10:1



SECTION C-C
SCALE 10:1

- 1 AMPLIVAR SERRATIONS CONNECT UP TO 3 COPPER OR ALUMINUM MAGNET WIRES WITHOUT THE NEED TO REMOVE THE INSULATION
- 2 CONTACT TE ENGINEERING FOR ALUMINUM MAGNET WIRE
- 3 SUPPLIED AS CONTINUOUS STRIP WITH TERMINALS ON 21.21[.835] CENTERS.
- 4 HIGH RETENTION FEATURE



SECTION R-R
SCALE 25:1

1.52-2.54 [.060-.100] DIA	400-1600 CMA COPPER	1742981-1
INSULATION RANGE	CMA WIRE RANGE	PART NUMBER

THIS DRAWING IS A CONTROLLED DOCUMENT.		DWN JR RUTH 08JUN12	TE Connectivity	
DIMENSIONS: mm [INCHES]		CHK GENE JACONO 08JUN12	NAME RECEPTACLE, CLUSTER PIN, AMPLIVAR, 2.29 [.090] DIA	
TOLERANCES UNLESS OTHERWISE SPECIFIED: 0 PLC ± - 1 PLC ± - 2 PLC ± 0.25[.010] 3 PLC ± - 4 PLC ± - ANGLES ± -		APVD GENE JACONO 08JUN12	PRODUCT SPEC 108-2008	
MATERIAL H03 TIN-BRASS		FINISH TIN PLATED	APPLICATION SPEC 114-2019	RESTRICTED TO -
WEIGHT -		SIZE A2	CAGE CODE 00779	DRAWING NO C=1742981
CUSTOMER DRAWING		SCALE 6:1	SHEET 1 of 1	REV B1

X-ON Electronics

Largest Supplier of Electrical and Electronic Components

Click to view similar products for [Terminals](#) category:

Click to view products by [TE Connectivity](#) manufacturer:

Other Similar products are found below :

[00-054007-01074-6](#) [00-054007-70206-1](#) [00-054007-70210-8](#) [00-054007-70217-7](#) [00-054007-70226-9](#) [00-054007-70228-3](#) [00-054007-70248-1](#) [00-054007-70256-6](#) [00-054007-70301-3](#) [00-054007-70316-7](#) [0-0320562-0](#) [00-054007-49560-4](#) [00-054007-70209-2](#) [00-054007-70225-2](#) [00-054007-70227-6](#) [00-054007-70231-3](#) [00-054007-70241-2](#) [00-054007-70242-9](#) [00-054007-70244-3](#) [00-054007-70246-7](#) [00-054007-70263-4](#) [00-054007-70288-7](#) [00-054007-70290-0](#) [00-054007-70300-6](#) [00-054007-70304-4](#) [01-2065-1-0216](#) [01-2900-1-04412](#) [00581P0075](#) [600TS-10](#) [60205-1](#) [604200-1](#) [605601-1](#) [60598-1-CUT-TAPE](#) [61314-6-C](#) [61810-3](#) [61-S](#) [61-SN](#) [626-0194](#) [62-NBM-A](#) [62-SN](#) [62-SP](#) [63-S](#) [640179-1](#) [M55155/059I03](#) [M55155/079C01](#) [M55155/099H02](#) [M55155/109H01](#) [M55155/109H02](#) [M55155/12XH05](#) [M55155/16XH02](#)