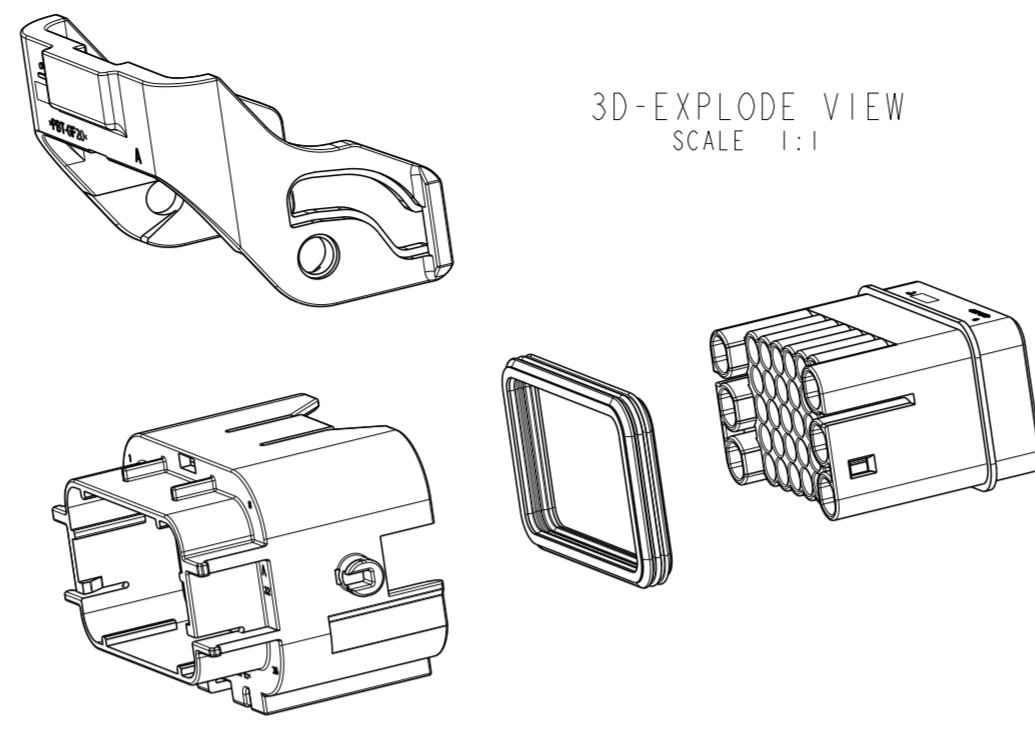
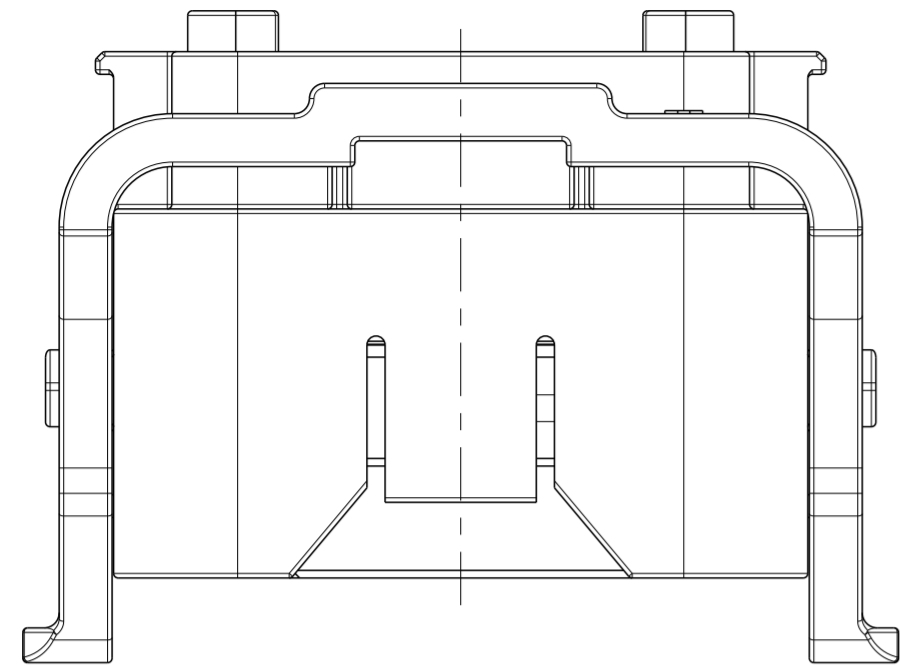
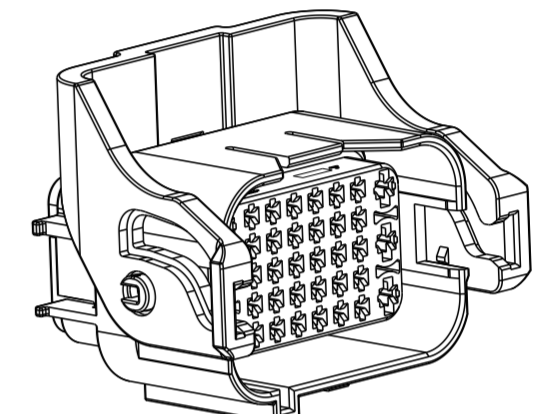
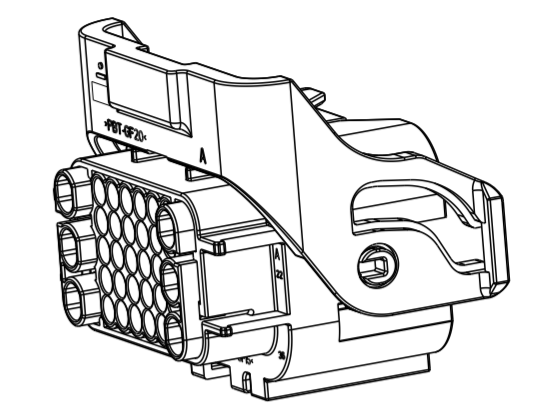


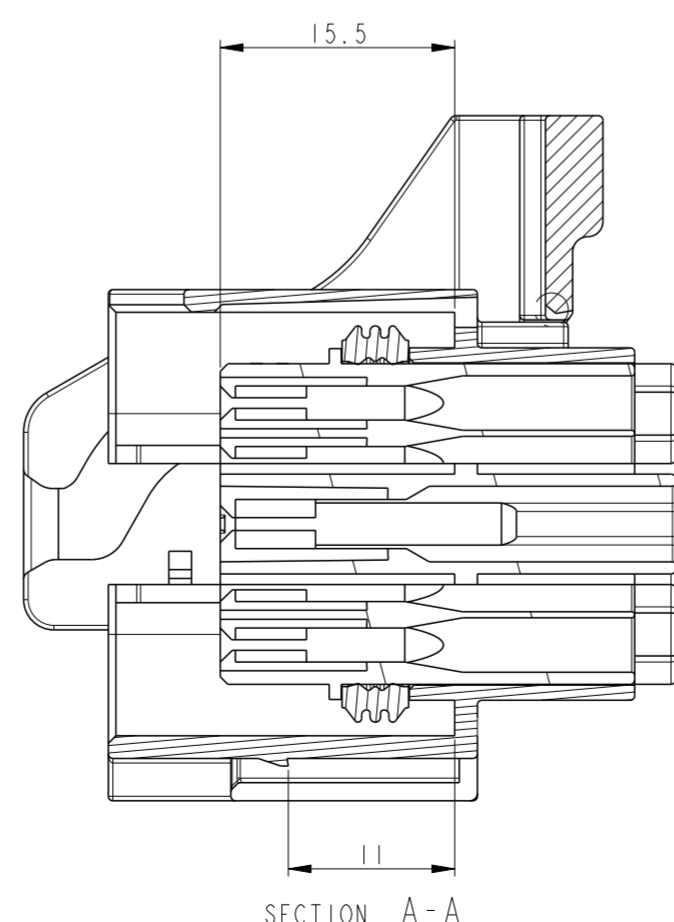
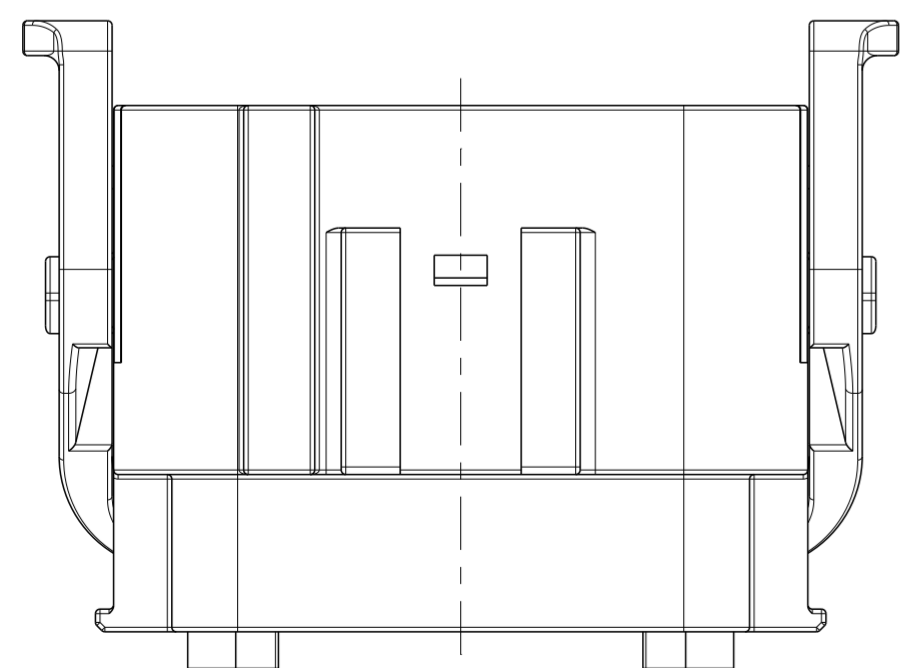
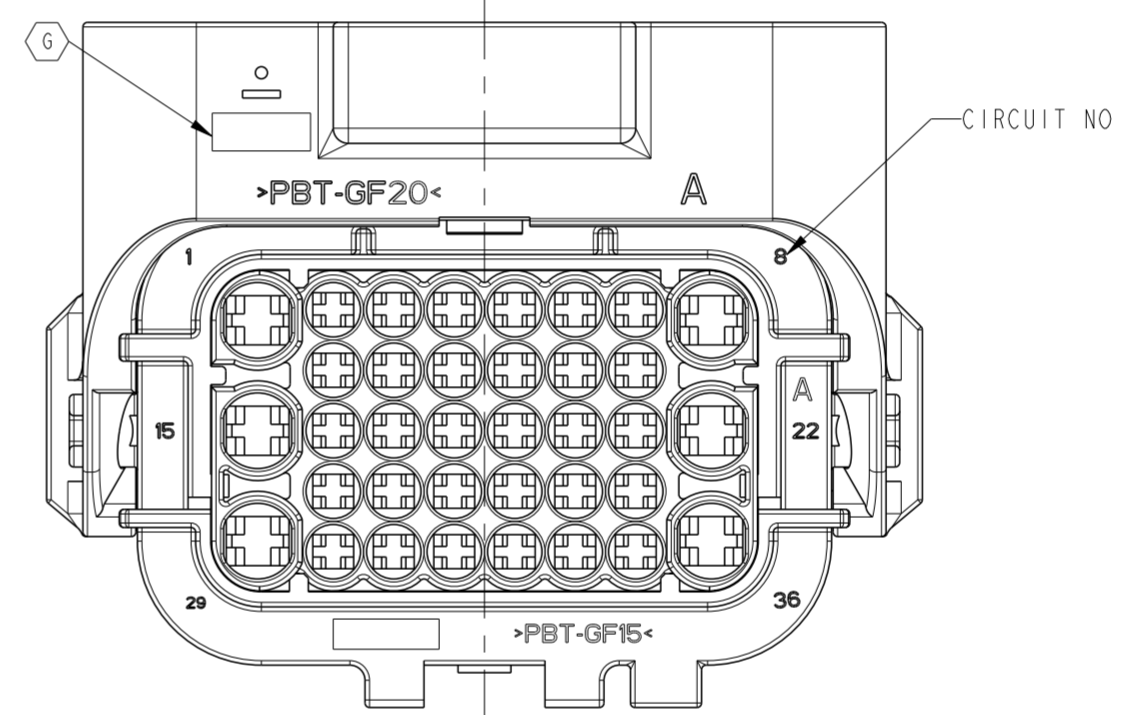
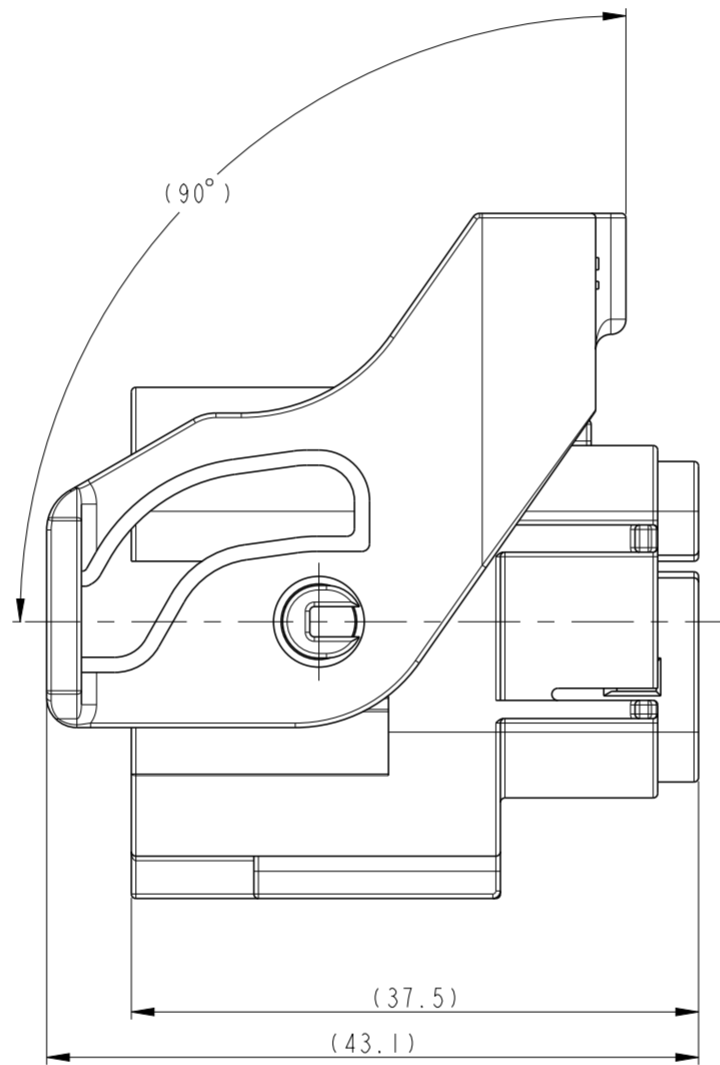
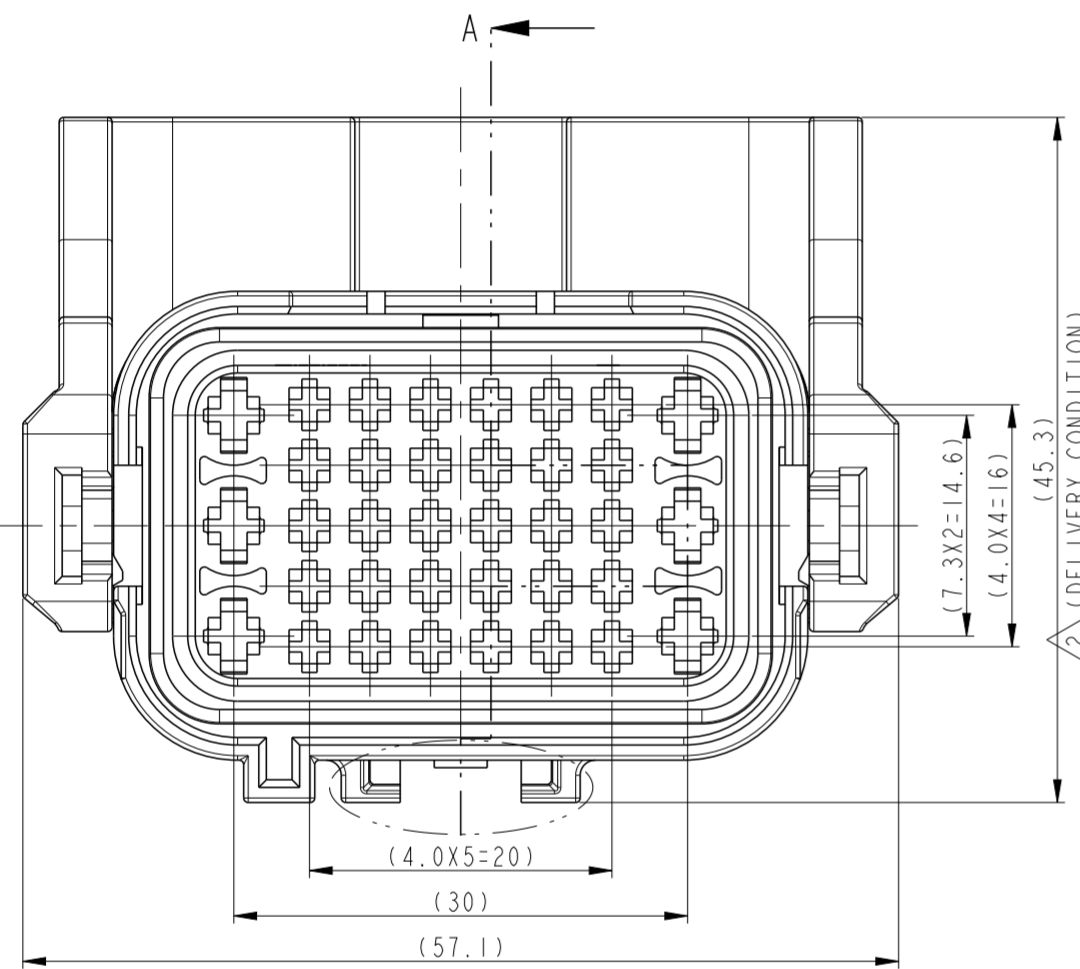
REVISIONS				
P	LTR	DESCRIPTION	DATE	APVD
E	I	REVISED (ECR-16-009129)	23. JUN. '16	SJ HG
F		REVISED (ECR-17-008875)	02NOV2017	SJ KT
F	I	REVISED (ECR-18-009554)	09. JUL '18	EW YJ
G		REVISED (ECR-21-002339)	24FEB2021	CH YJ



- NOTES:
 1. GENERAL TOLERANCE IS $\pm 0.3, \pm 3^\circ$
 2. CONDITION OF DELIVERY
 3. APPLIED CAP ASS'Y P/N : X-1743062-X
 APPLIED WIRE COVER P/N : X-1743064-X
 4. APPLIED RECEPTACLE CONTACT P/N : TABLE 1
 5. APPLIED WIRE SEAL P/N : TABLE 2



3D-VIEW SCALE 1:1



<TABLE 1>

TYPE	Part No.	WIRE SIZE (mm ²)	FINISH
MTII	0-962875-1	0.25 ~ 0.5	CuSn4
	0-962875-3		CuSn4(GOLD)
	0-962876-1	0.5 ~ 1.0	CuSn4
	0-962876-3		CuSn4(GOLD)
JPT	0-927770-3	0.5 ~ 0.85	CuSn4
	2-927770-1		CuSn4(GOLD)
	0-927766-3	1.25 ~ 2.0	CuSn4
	2-927766-1		CuSn4(GOLD)

<TABLE 2>

TYPE	Part No.	WIRE INSULATION DIAMETER(mm)	COLOR
MTII	964971-1	1.2 ~ 1.6	RED
	963530-1	1.7 ~ 1.9	GRAY
	963531-1	CAVITY PLUG	WHITE
JPT	828904-1	1.2 ~ 2.1	BLUE
	828905-1	2.2 ~ 3.0	WHITE
	828922-1	CAVITY PLUG	NATURAL

NO.	COLOR/FINISH	MATERIAL	DESCRIPTION	Q'TY
4	-	SILICONE	INNER SEAL	1 1 1 1
3	GRAY (RAL 7004)	PBT-GF20	LEVER HSG	1 1 - 1
	BLACK (RAL 9011)	PBT-GF20		- - 1 -
2	DARK GRAY (RAL 7012)	PBT-GF15	MAIN BODY PLUG HSG	- - - 1
	BLACK (RAL 9011)	PBT-GF15		- 1 1 -
1	NATURAL	PBT-GF15	FRONT PLUG HSG	1 - - -
1	BLACK (RAL 9011)	PBT-GF15	FRONT PLUG HSG	1 1 1 1

ASS'Y P/N
0-1743059-1
0-1743059-2
1-1743059-2
0-1743059-3

THIS DRAWING IS A CONTROLLED DOCUMENT.

DIMENSIONS: mm

TOLERANCES UNLESS OTHERWISE SPECIFIED:

0 PLC	±
1 PLC	±
2 PLC	±
3 PLC	±
4 PLC	±
ANGLES	±
FINISH	±

MATERIAL: SEE TABLE

APVD: CS LEE

PRODUCT SPEC

APPLICATION SPEC

WEIGHT: -

CUSTOMER DRAWING

DWN: YD LEE

CHK: BM JANG

NAME: PLUG ASS'Y FOR MTII JPT SLD 36P

SIZE: A2

CAGE CODE: 00779

DRAWING NO: 1743059

RESTRICTED TO: -

SCALE: 2:1

SHEET: 1 OF 1

REV: G

TE Connectivity

X-ON Electronics

Largest Supplier of Electrical and Electronic Components

Click to view similar products for [Automotive Connectors](#) category:

Click to view products by [TE Connectivity](#) manufacturer:

Other Similar products are found below :

[003-018-000](#) [60403001](#) [60993906-B](#) [M902-2131](#) [M902-2161](#) [M902-2344](#) [72.330.1035.1](#) [73.353.4028.0](#) [F119300-B](#) [F166900](#) [F258300-B](#)
[F358300-B](#) [F407400](#) [F444110](#) [F487000](#) [F509500B-B](#) [827153-1](#) [8N1515-32-24P](#) [9-1326729-8](#) [925474-1](#) [928905-1](#) [964562-4](#) [968782-1](#)
[GT17SA-8DS-HU](#) [98891-1012](#) [98947-1016](#) [12004147](#) [12004475-L](#) [12010290](#) [12010309-B](#) [12015454](#) [12020219-B](#) [12041318-B](#) [12052225-](#)
[L](#) [12052466](#) [12064869](#) [12004327-B](#) [12015308](#) [12015384](#) [12015909](#) [1-21030-1](#) [12041254](#) [12041318](#) [12047946-B](#) [12047957](#) [12047957-L](#)
[12059473](#) [12066261](#) [12110546](#) [12110546-B](#)