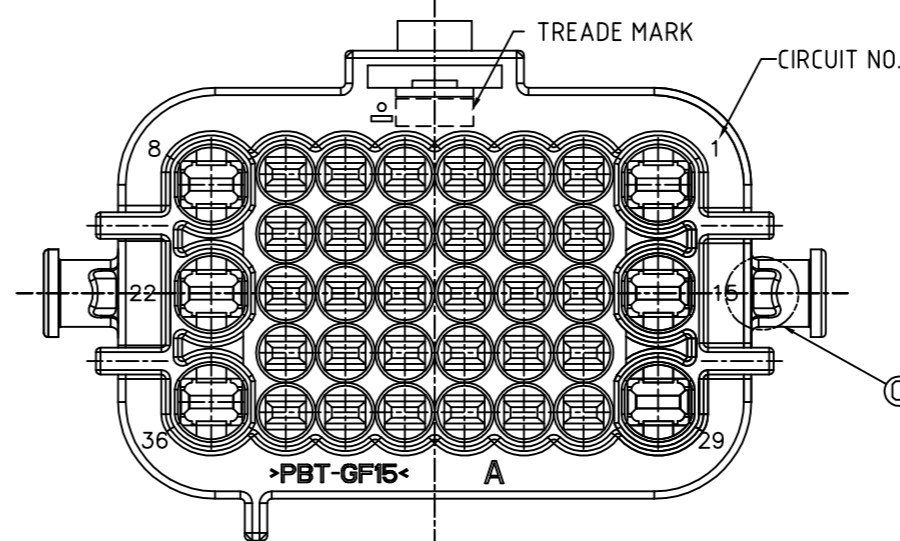
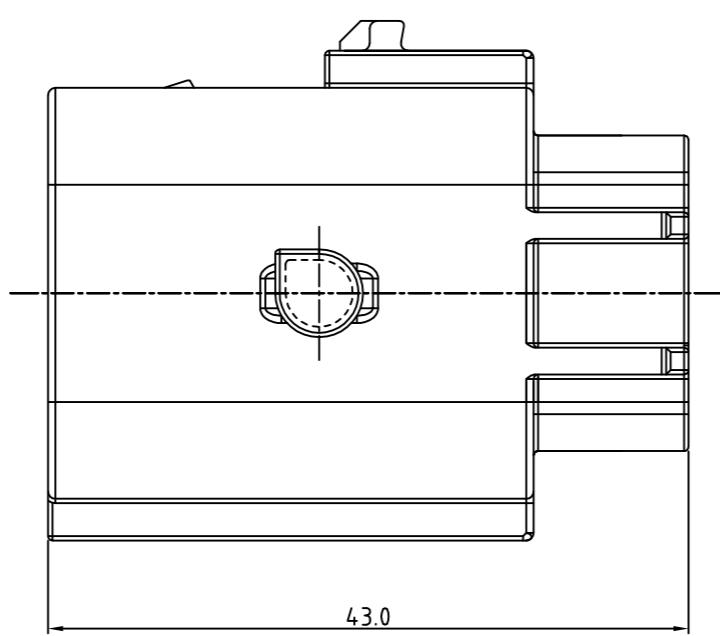
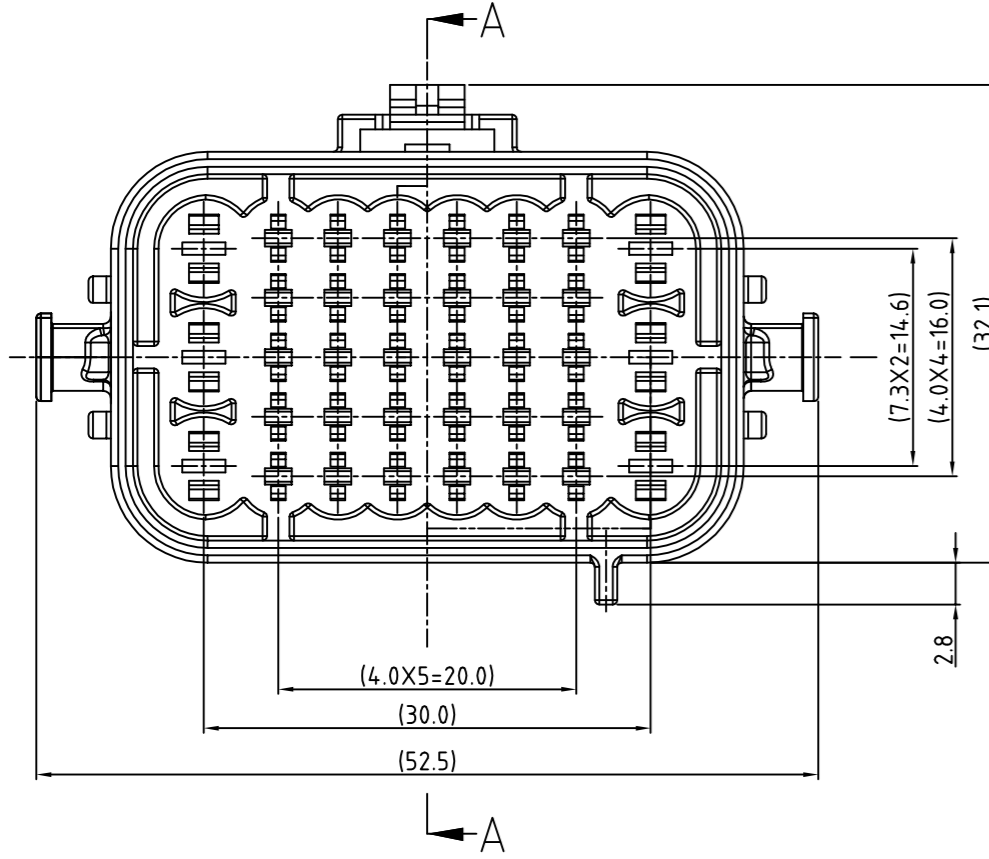
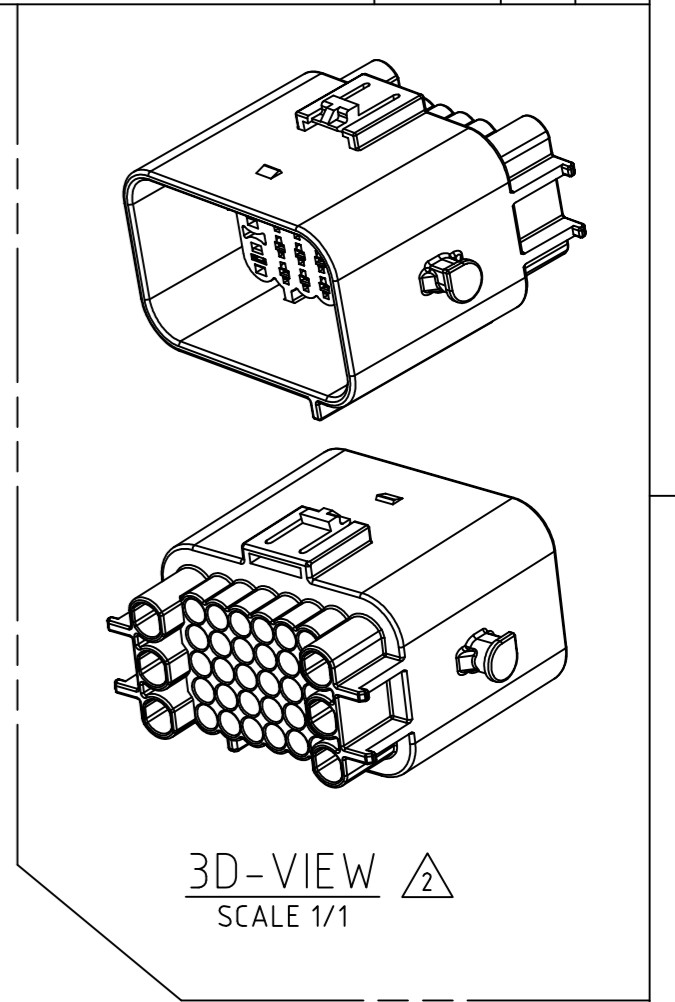
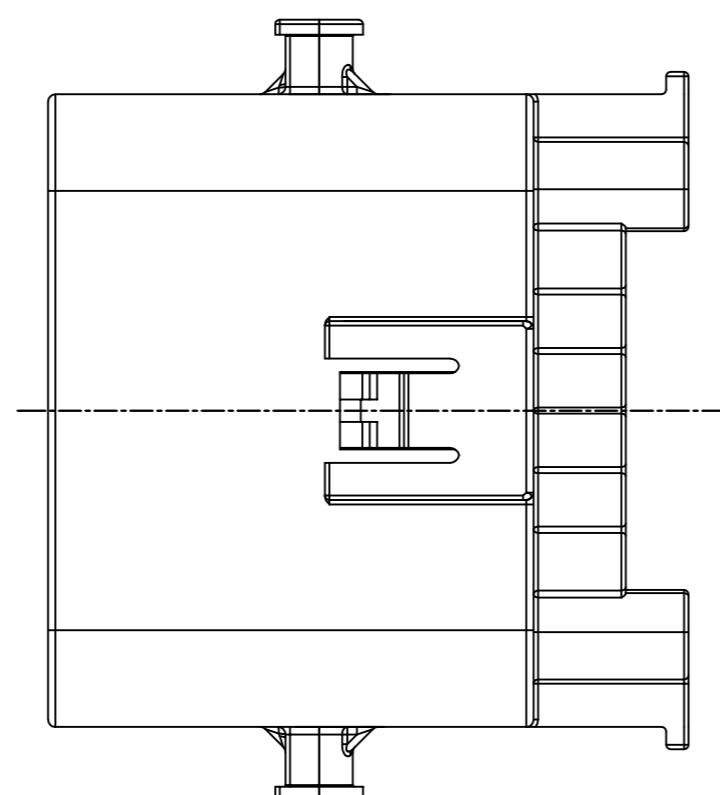
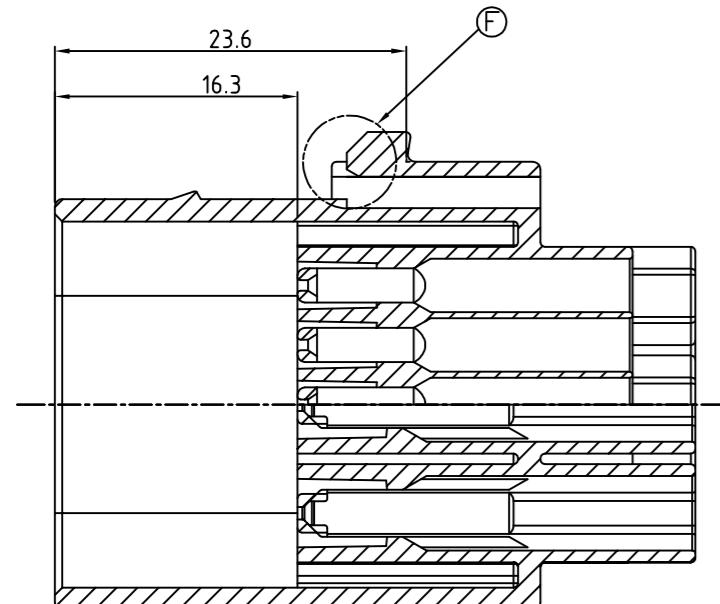


THIS DRAWING IS UNPUBLISHED. RELEASED FOR PUBLICATION  
COPYRIGHT BY TYCO ELECTRONICS CORPORATION. ALL RIGHTS RESERVED.

LOC	DIST	REVISIONS					
		P	LTR	DESCRIPTION	DATE	DWN	APVD
		F		REVISED (ECR-11-004732)	08/MAR/11	SJ	HG
		G		REVISED (ECR-11-025917)	20/FEB/12	SJ	HG
		G1		REVISED (ECR-15-009355)	24/AUG/15	SJ	HG



-TABLE 2-

TYPE	Part NO.	WIRE INSULATION DIAMETER(mm)	COLOR
MT II	964971-1	1.2 - 1.6	RED
	963530-1	1.7 - 1.9	GRAY
	963531-1	CAVITY PLUG	WHITE
JPT	828904-1	1.2 - 2.1	BLUE
	828905-1	2.2 - 3.0	WHITE
	828922-1	CAVITY PLUG	NATURAL

-TABLE 1-

TYPE	Part NO.	WIRE SIZE(mm <sup>2</sup> )	FINISH
MT II	0-963902-1	0.25-0.5	CuSn4
	0-963902-3		CuSn4(GOLD)
	0-963904-1	0.5-1.0	CuSn4
	0-963904-3		CuSn4(GOLD)
JPT	1-962915-1	0.5-0.85	CuSn4
	1-962915-3		CuSn4(GOLD)
	1-962916-1	1.25-2.0	CuSn4
	1-962916-3		CuSn4(GOLD)

- NOTES:
- GENERAL TOLERANCE IS ±0.3
  - CONDITION OF DELIVERY
  - APPLIED PLUG ASS'Y P/N: X-1743059-X  
APPLIED WIRE COVER P/N: X-1743065-X
  - APPLIED RECEPTACLE CONTACT P/N: TABLE 1
  - APPLIED WIRE SEAL P/N: TABLE 2

COLOR/FINISH	MATERIAL	DESCRIPTION	P/N	REMARK
BLACK	PBT-GF15	CAP HSG	9-1743062-2	CHINA ONLY
GRAY	PBT-GF15	CAP HSG	0-1743062-3	
BLACK	PBT-GF15	CAP HSG	0-1743062-2	
NATURAL	PBT-GF15	CAP HSG	0-1743062-1	

control priority dimension;  
 CRITICAL,  MAJOR,  MINOR  
THIS DRAWING IS A CONTROLLED DOCUMENT FOR TYCO ELECTRONICS CORPORATION IT IS SUBJECT TO CHANGE AND THE CONTROLLING ENGINEERING ORGANIZATION SHOULD BE CONTACTED FOR THE LATEST REVISION.

DIMENSIONS: MM  
 TOLERANCES UNLESS OTHERWISE SPECIFIED:  
 DECIMALS: ANGLES ± 3°  
 3rd ANGLE PROJECTION  
 MATERIAL: SEE TABLE  
 FINISH:

**TE** TE Connectivity

CAP HOUSING  
FOR MTII/JPT HYBRID SEALED 36P CONN'R

SIZE	CAGE CODE	DRAWING NO	RESTRICTED TO
A2	00779	1743062	

CUSTOMER DRAWING SCALE 2/1 SHEET 1 OF 1 REV G1

## X-ON Electronics

Largest Supplier of Electrical and Electronic Components

*Click to view similar products for [Automotive Connectors](#) category:*

*Click to view products by [TE Connectivity](#) manufacturer:*

Other Similar products are found below :

[003-018-000](#) [60403001](#) [60993906-B](#) [M902-2131](#) [M902-2161](#) [M902-2344](#) [72.330.1035.1](#) [73.353.4028.0](#) [F119300-B](#) [F166900](#) [F258300-B](#)  
[F358300-B](#) [F407400](#) [F444110](#) [F487000](#) [F509500B-B](#) [827153-1](#) [8N1515-32-24P](#) [9-1326729-8](#) [925474-1](#) [928905-1](#) [964562-4](#) [968782-1](#)  
[GT17SA-8DS-HU](#) [98891-1012](#) [98947-1016](#) [12004147](#) [12004475-L](#) [12010290](#) [12015454](#) [12020219-B](#) [12041318-B](#) [12052225-L](#) [12052466](#)  
[12064869](#) [12004327-B](#) [12015308](#) [12015384](#) [12015909](#) [1-21030-1](#) [12041254](#) [12041318](#) [12047946-B](#) [12047957](#) [12047957-L](#) [12059473](#)  
[12066261](#) [12110546](#) [12110546-B](#) [12131792](#)