

4

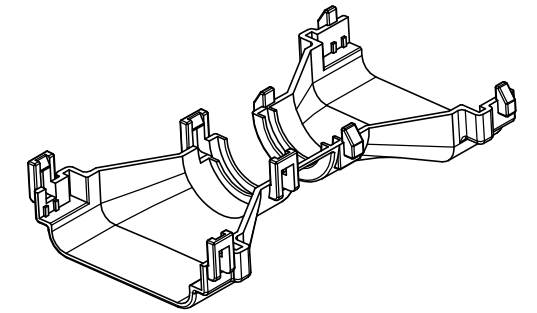
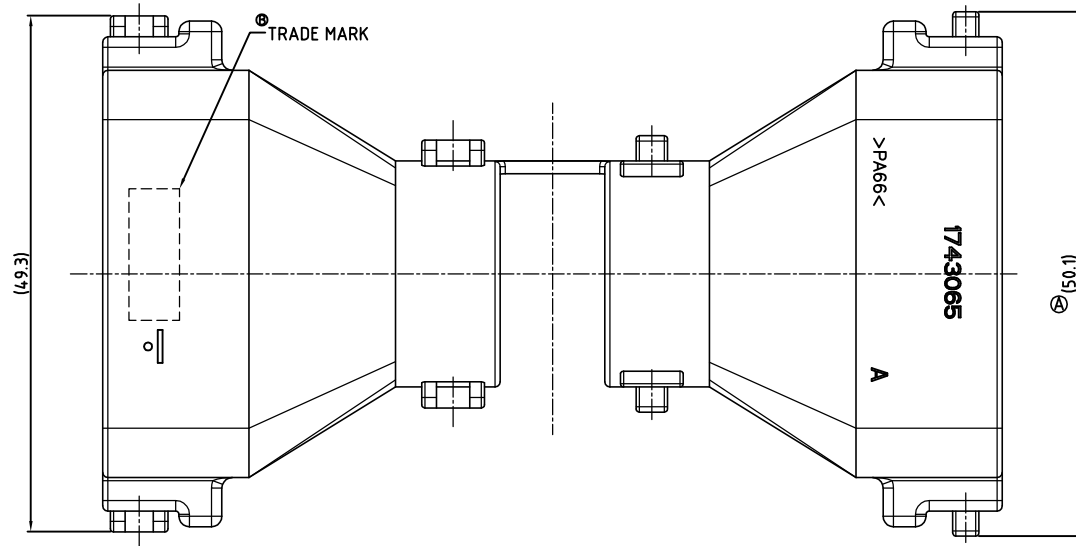
3

2

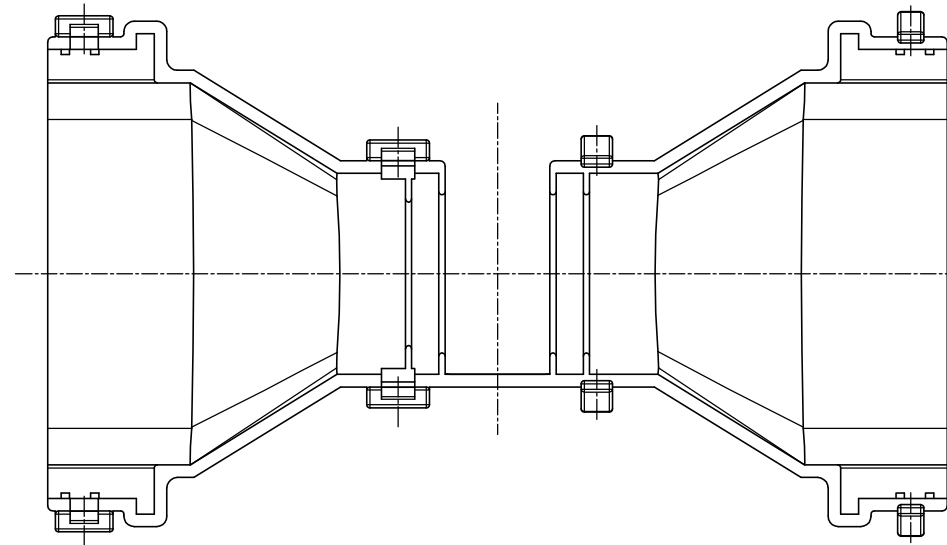
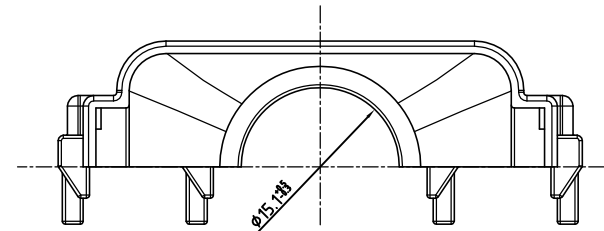
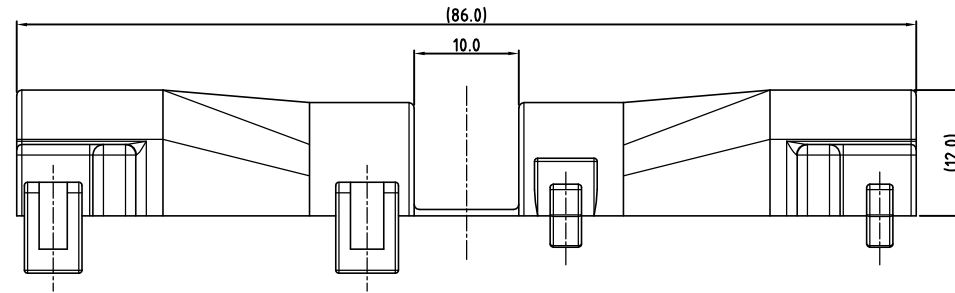
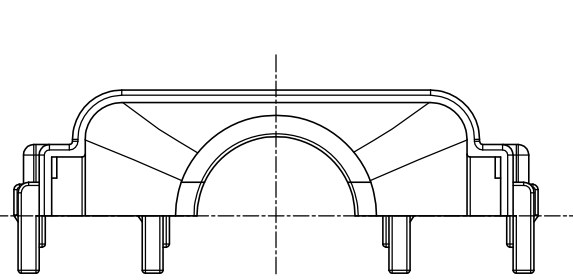
1

THIS DRAWING IS UNPUBLISHED. RELEASED FOR PUBLICATION
COPYRIGHT BY TYCO ELECTRONICS CORPORATION. ALL RIGHTS RESERVED.

LOC	DIST	REVISIONS					
		P	LTR	DESCRIPTION	DATE	DWN	APVD
DS	-	A		REVISED(ECR-06-027317)	29/JAN/07	SW	JK
		B		REVISED(ECR-10-020545)	03/DEC/10	SJ	HG



3D-VIEW
SCALE 1/1



NOTES;

1. WARP IS 0.5 MAX. AND FLASH IS 0.3 MAX.
2. APPLICABLE CONNECTOR : X-1743062-X
3. APPLICABLE CORRUGATOR DIAMETER : $\phi 14.0$

control priority dimension; <input checked="" type="checkbox"/> CRITICAL, <input checked="" type="checkbox"/> MAJOR, <input type="checkbox"/> MINOR		BLACK	PA66	CAP COVER	0-1743065-2
THIS DRAWING IS A CONTROLLED DOCUMENT FOR TYCO ELECTRONICS CORPORATION. IT IS SUBJECT TO CHANGE AND THE CONTROLLING ENGINEERING ORGANIZATION SHOULD BE CONTACTED FOR THE LATEST REVISION.		COLOR	MATERIAL	DESCRIPTION	P/N
DIMENSIONS: MM	TOLERANCES UNLESS OTHERWISE SPECIFIED: DECIMALS: ± 0.3 ANGLES: $\pm 3^\circ$	DWN: SJ CHOI CHK: JW JUNG APVD: HG CHO PRODUCT SPEC: - APPLICATION SPEC: - WEIGHT: - CUSTOMER DRAWING			
3rd ANGLE PROJECTION	FINISH: -	Tyco Electronics Tyco Electronics kyungsan, korea		NAME: COVER FOR MTII/JPT SLD 36P CAP SIZE: A2 CAGE CODE: 00779 DRAWING NO: 1743065 RESTRICTED TO: -	
MATERIAL: SEE TABLE		SCALE: 2/1		SHEET: 1 OF 1	REV: B

X-ON Electronics

Largest Supplier of Electrical and Electronic Components

Click to view similar products for [Automotive Connectors](#) category:

Click to view products by [TE Connectivity](#) manufacturer:

Other Similar products are found below :

[003-018-000](#) [60403001](#) [60993906-B](#) [M902-2131](#) [M902-2161](#) [M902-2344](#) [72.330.1035.1](#) [73.353.4028.0](#) [F119300-B](#) [F166900](#) [F258300-B](#)
[F358300-B](#) [F407400](#) [F444110](#) [F487000](#) [F509500B-B](#) [827153-1](#) [8N1515-32-24P](#) [9-1326729-8](#) [925474-1](#) [928905-1](#) [964562-4](#) [968782-1](#)
[GT17SA-8DS-HU](#) [98891-1012](#) [98947-1016](#) [12004147](#) [12004475-L](#) [12010290](#) [12010309-B](#) [12015454](#) [12020219-B](#) [12041318-B](#) [12052225-](#)
[L](#) [12052466](#) [12064869](#) [12004327-B](#) [12015308](#) [12015384](#) [12015909](#) [1-21030-1](#) [12041254](#) [12041318](#) [12047946-B](#) [12047957](#) [12047957-L](#)
[12059473](#) [12066261](#) [12110546](#) [12110546-B](#)