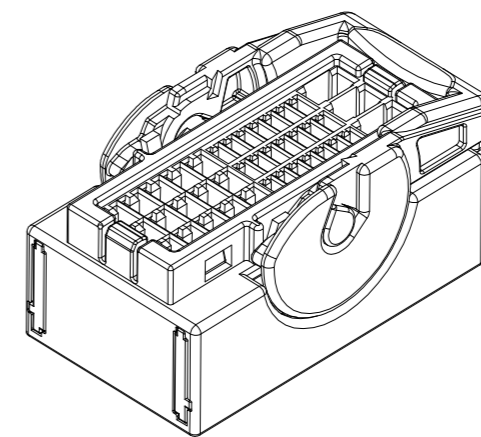
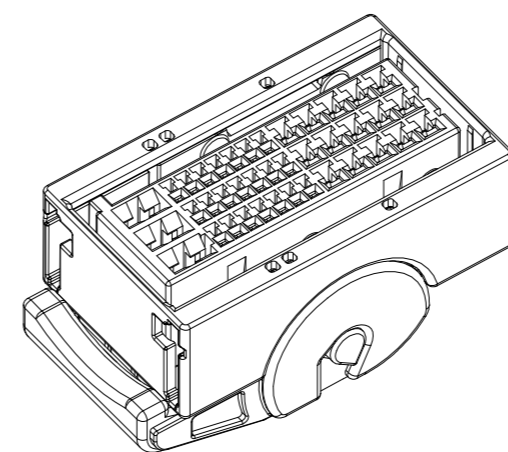
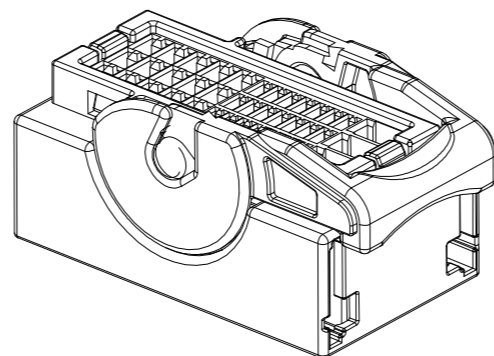
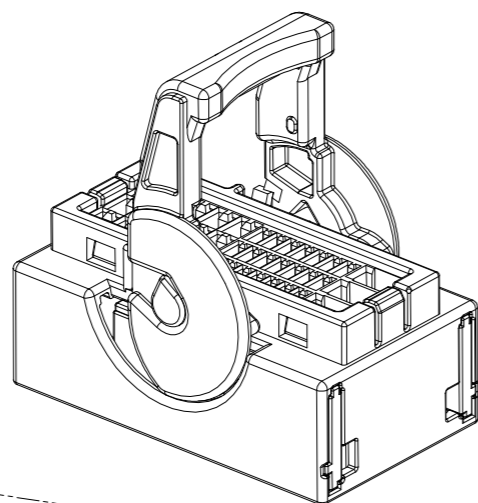
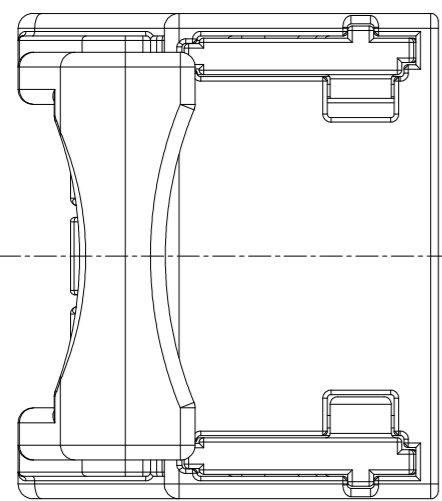
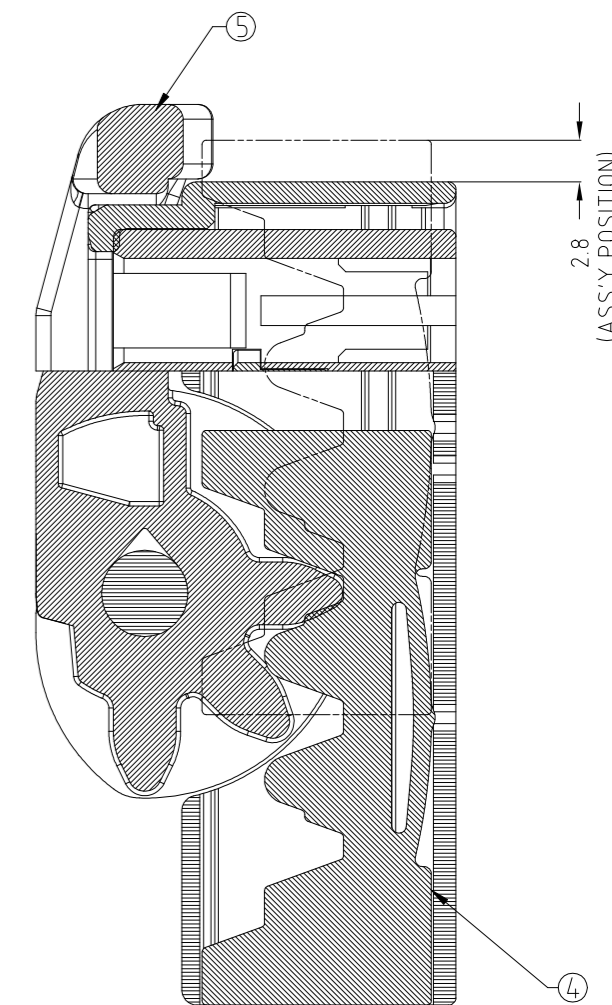


THIS DRAWING IS UNPUBLISHED. RELEASED FOR PUBLICATION. COPYRIGHT BY TYCO ELECTRONICS CORPORATION. ALL RIGHTS RESERVED.

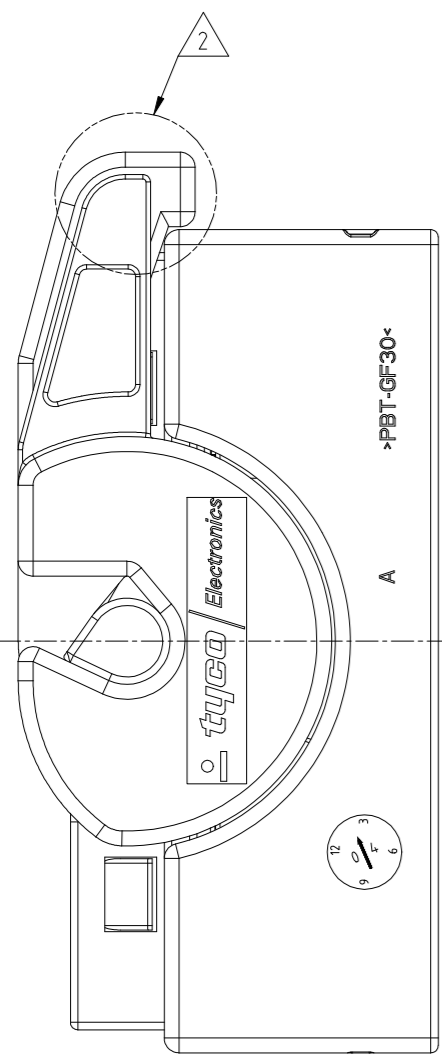
LOC	DIST	REVISIONS					
		P	LTR	DESCRIPTION	DATE	DWN	APVD
DS		A		RELEASE(ECR-18-004830)	03/SEP/18	YJ	YJ



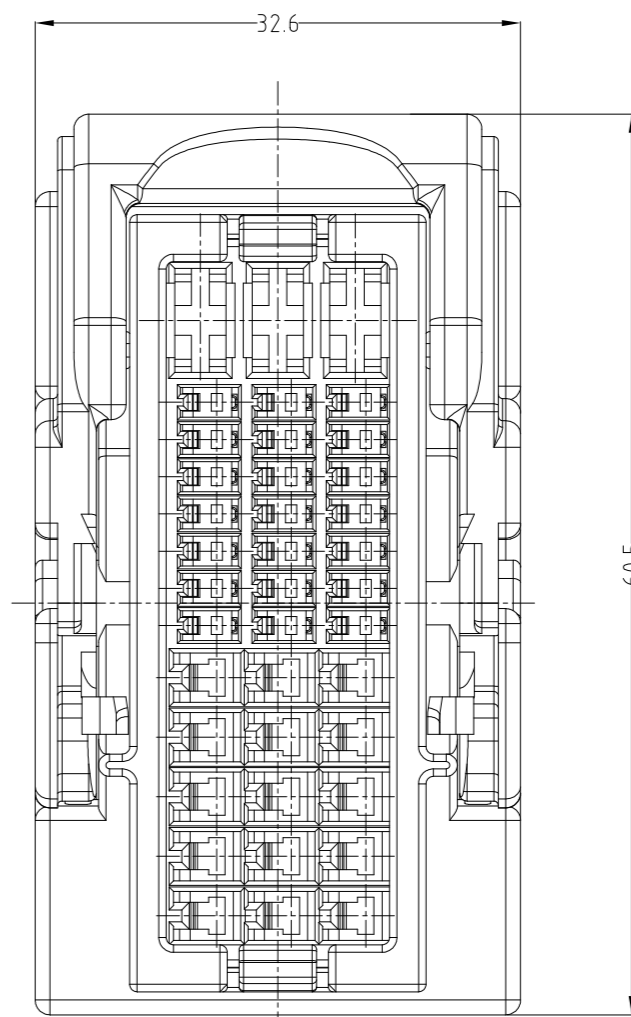
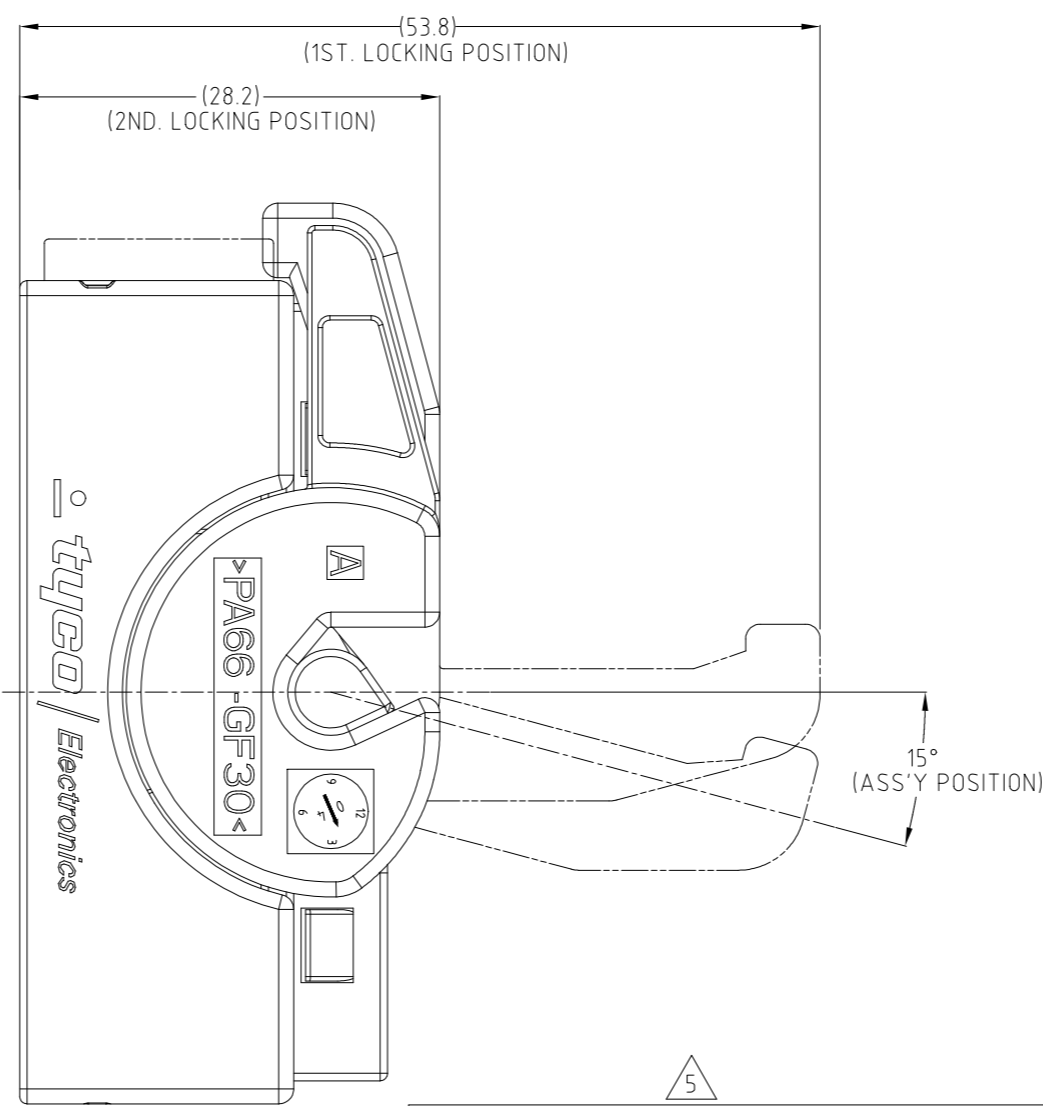
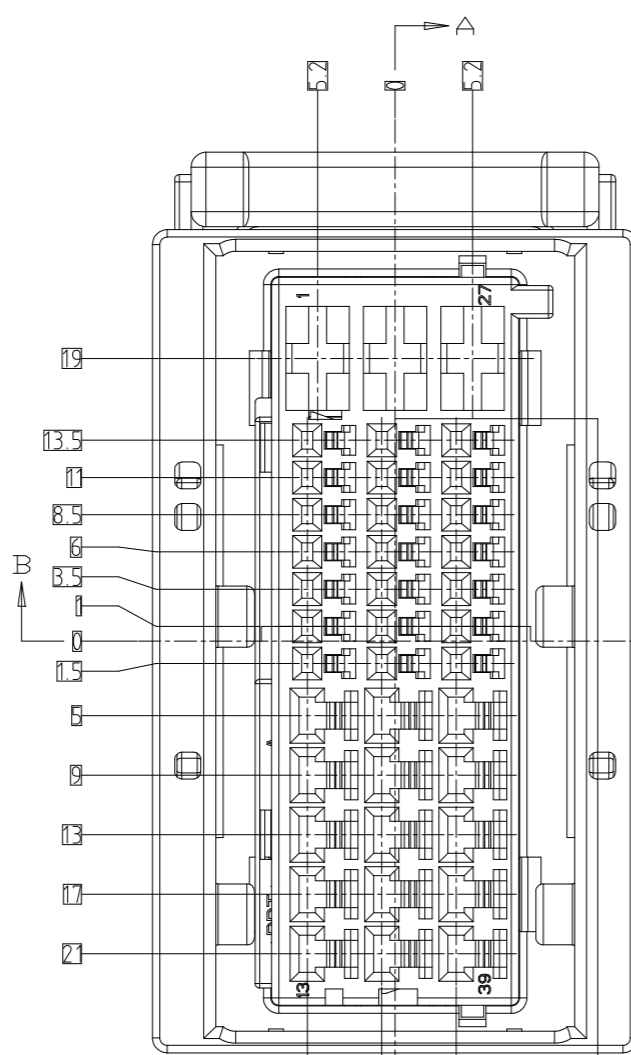
(SCALE 1:1)



SECTION A-A



SCALE 2:1



60.5

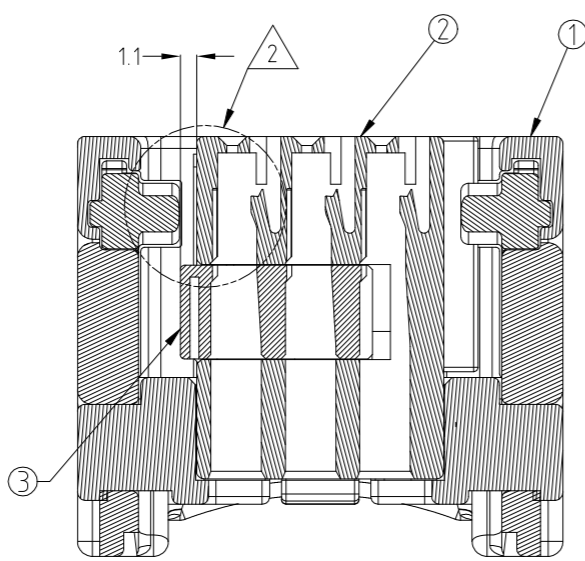
- NOTES:
- GENERAL TOLERANCE IS ±0.3
  - CONDITION OF DELIVERY :  
DBL IN 1ST. LOCKING POSITION  
LEVER HSG IN 2ND. LOCKING POSITION
  - APPLIED PLUG ASS'Y P/N: X-1743086-X
  - APPLIED REC. CONTACT P/N: TABLE 1
  - CHECK CONVERSION KEY CODE

SHAPE OF CONVERSION TYPE

0-1743089-9(PURPLE)	0-1743089-2(BLACK)	1-1743089-3(GRAY)

TABLE 1-

TYPE	Part NO.	WIRE SIZE(mm <sup>2</sup> )	MATERIAL/FINISH
.040	0-316836-1	0.3 - 0.85	CuNiSi ALLOY / PRE-TIN
	0-368085-1	0.3 - 0.5	CuNiSi ALLOY / 0--PRE-TIN / 1--GOLD
	1-368085-1		
	0-368084-1	0.85 - 125	
	1-368084-1		
0-368083-1	2.0		
1-368083-1			
250	0-927824-1	2.5 - 4.0	HIGH COPPER ALLOY / PRE-TIN



SECTION B-B

NO.	P/N	DESCRIPTION	MATERIAL	COLOR	ASS'Y P/NO.			Q'TY
					0-1743089-9	1-1743089-3	0-1743089-2	
⑤	0-1743094-2	SLIDE HSG	PBT GF30	BLACK	2	2	2	-
④	0-1743093-2	LEVER HSG	PA66 GF30	BLACK	1	1	1	-
③	0-1743092-1	DBL HSG	PBT	NATURAL	1	1	1	-
②	1-1743091-3	SUB PLUG HSG	PBT	GRAY	-	1	-	-
②	0-1743091-9	SUB PLUG HSG	PBT	PURPLE	1	-	-	-
②	0-1743091-2	SUB PLUG HSG	PBT	BLACK	-	-	1	-
①	0-1743090-9	MAIN PLUG HSG	PBT GF30	PURPLE	1	-	-	-
①	0-1743090-3	MAIN PLUG HSG	PBT GF30	GRAY	-	1	-	-
①	0-1743090-2	MAIN PLUG HSG	PBT GF30	BLACK	-	-	1	-

THIS DRAWING IS A CONTROLLED DOCUMENT FOR TYCO ELECTRONICS CORPORATION. IT IS SUBJECT TO CHANGE AND THE CONTROLLING ENGINEERING ORGANIZATION SHOULD BE CONTACTED FOR THE LATEST REVISION.

DIMENSIONS: mm	TOLERANCES UNLESS OTHERWISE SPECIFIED: 0-XX-10 ± 0.2 10-XX-30 ± 0.25 30-XX ± 0.3 ANGLES ± 3°	DWN : MS HER CHK : BM JANG APVD : CS LEE	 AMP KOREA. kyungsan, korea
3rd ANGLE PROJECTION	FINISH	NAME PLUG ASSEMBLY CONNECTOR FOR HYB. 39POS (.040/.090/.250 SIZE "LIF")	
MATERIAL SEE TABLE	WEIGHT	SIZE: A2 CAGE CODE: 00779 DRAWING NO: 1743089	RESTRICTED TO
		SCALE: 2/1	SHEET: 1 OF 1

## X-ON Electronics

Largest Supplier of Electrical and Electronic Components

*Click to view similar products for [Automotive Connectors](#) category:*

*Click to view products by [TE Connectivity](#) manufacturer:*

Other Similar products are found below :

[003-018-000](#) [60993906-B](#) [72.330.1035.1](#) [F358300-B](#) [F407400](#) [776880-1](#) [827153-1](#) [8N1515-32-24P](#) [9-1326729-8](#) [925474-1](#) [928905-1](#)  
[964562-4](#) [968782-1](#) [98891-1012](#) [12004475-L](#) [12041318-B](#) [12052466](#) [12015909](#) [1-21030-1](#) [12041318](#) [12047957](#) [12185550](#) [12336-12](#)  
[12147304](#) [1-326211-1](#) [13681974](#) [13783086](#) [13832576](#) [13542772](#) [13675513](#) [1428188-1](#) [1437287-3](#) [1428188-2](#) [DS07-19S-5020](#) [1456983-5](#)  
[1456987-7](#) [APD-7CP-H](#) [APK-SB25A10L](#) [1452931-2](#) [15336198](#) [15491972](#) [15305306](#) [15396680](#) [15425613](#) [15518544](#) [15522351](#) [1719636-1](#)  
[172190-2](#) [172190-5](#) [192900-0402](#)