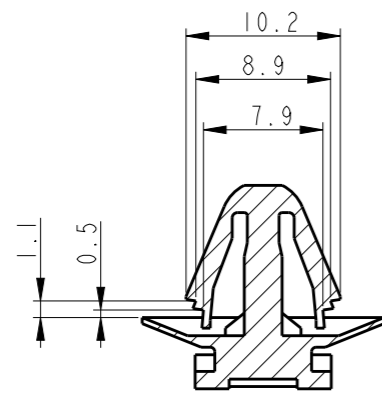
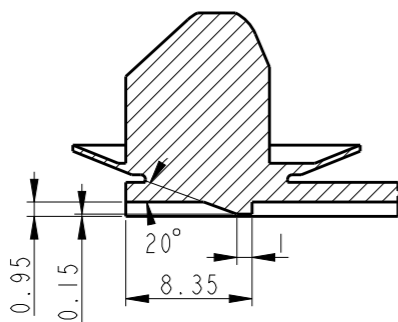
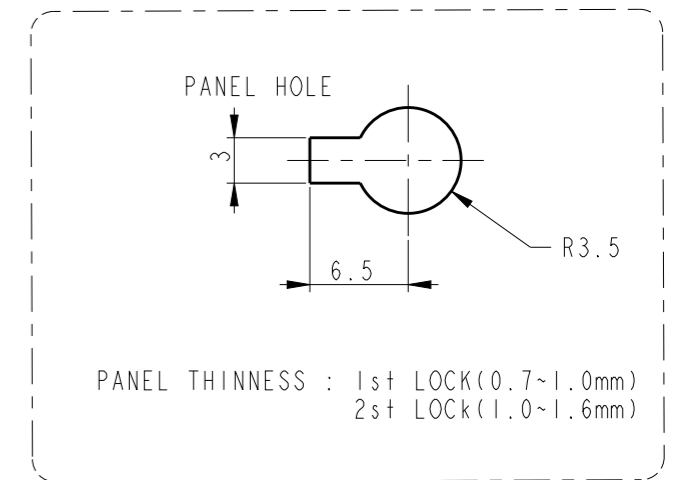
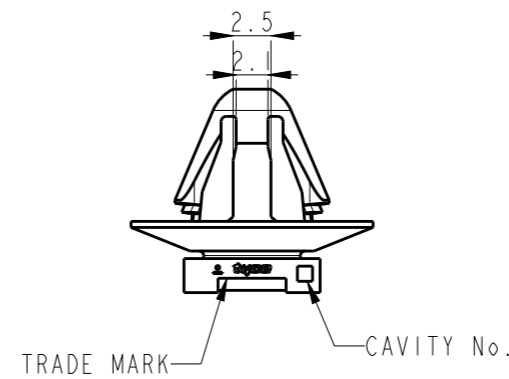
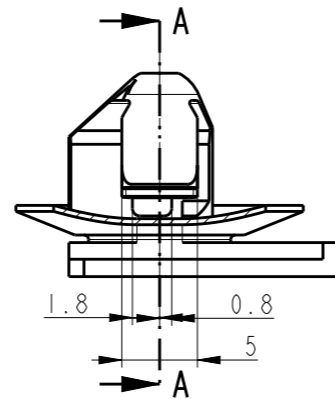
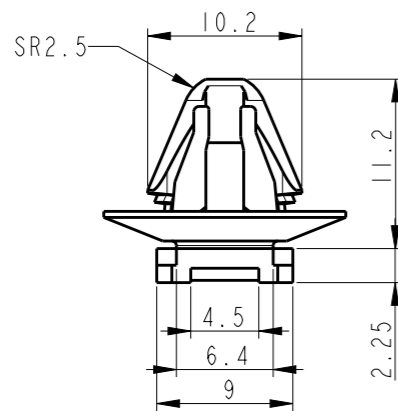
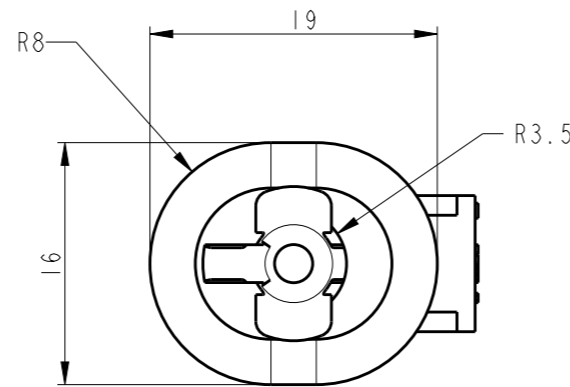


P	LTR	DESCRIPTION	DATE	DWN	APVD
	0	RELEASED(FC00-0120-04)	25JUN2004	JG	CS
	A	REVISED(ECR-17-016333)	09APR2019	HH	YJ

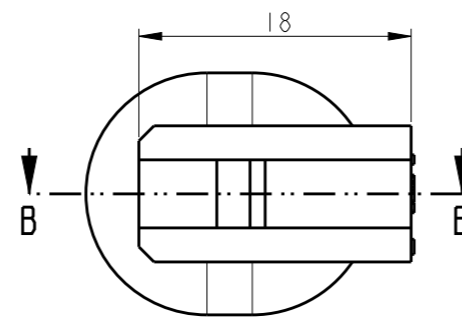
<0-1743161-2>



SECTION A-A



SECTION B-B



- NOTES
 1. GENERAL TOLERANCE : DIMENSION ± 0.3 ANGLE $\pm 1^\circ$
 2. APPLICABLE CAP ASS'Y CONN'R PART NO. : 0-1473407-1

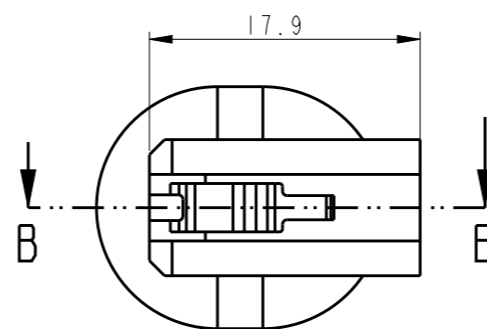
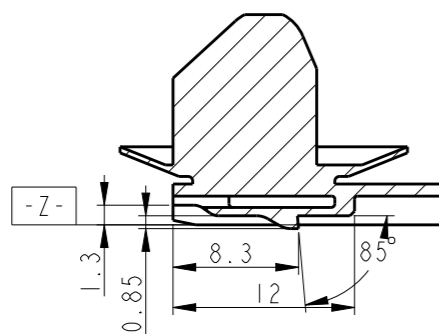
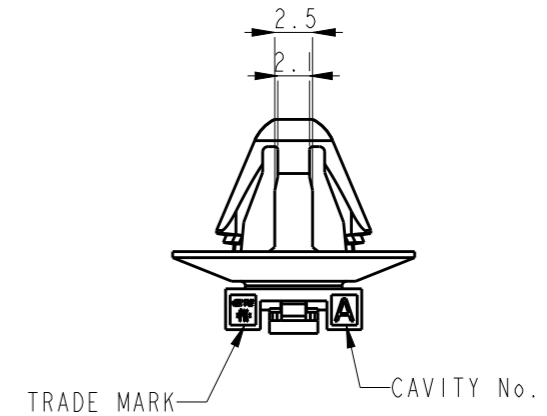
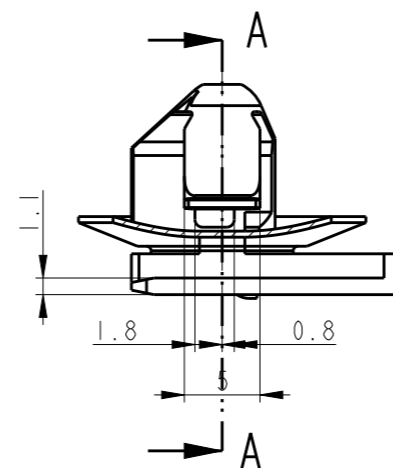
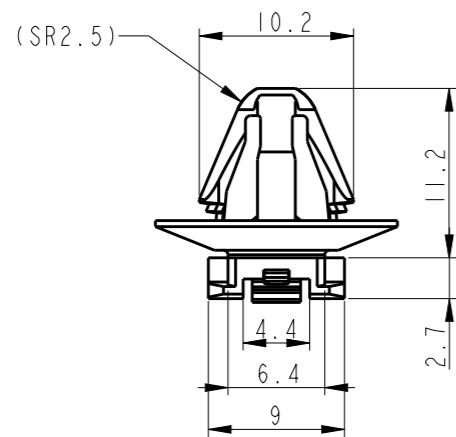
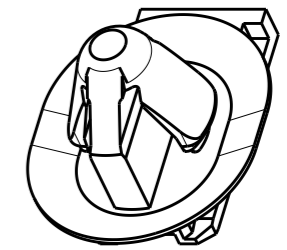
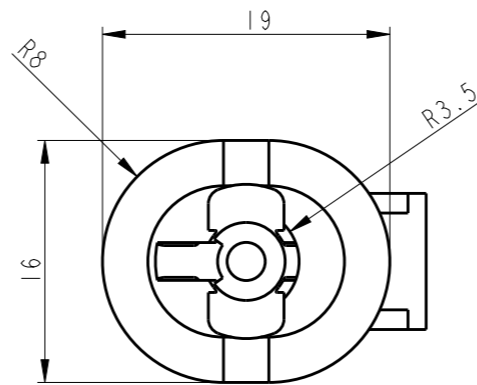
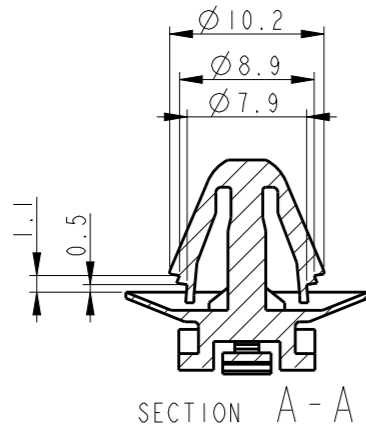
NO.	COLOR	MATERIAL	DESCRIPTION	P/N
2	BLACK	PK	CLIP HSG	1-1743161-2
1	BLACK	NYLON66	CLIP HSG	0-1743161-2

THIS DRAWING IS A CONTROLLED DOCUMENT.		DWN HH KIM
DIMENSIONS: mm		CHK DG JEONG
TOLERANCES UNLESS OTHERWISE SPECIFIED:		APVD YJ YOUN
0 PLC	\pm	PRODUCT SPEC
1 PLC	\pm	APPLICATION SPEC
2 PLC	\pm	
3 PLC	\pm	
4 PLC	\pm	
ANGLES	\pm	
MATERIAL SEE TABLE	FINISH	WEIGHT

		NAME CLIP HSG FOR 025 CONN'R 12PIN	
		SIZE A3	CAGE CODE 00779
DRAWING NO 0-1743161		RESTRICTED TO	
CUSTOMER DRAWING		SCALE 5:1	SHEET 1 OF 2
		REV A	

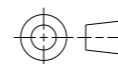
P	LTR	DESCRIPTION	DATE	DWN	APVD
		SEE SHEET 1			

<1-1743161-2>



THIS DRAWING IS A CONTROLLED DOCUMENT.

DIMENSIONS:
mm



TOLERANCES UNLESS OTHERWISE SPECIFIED:

0 PLC	±:
1 PLC	±0.5
2 PLC	±0.13
3 PLC	±0.013
4 PLC	±0.0001
ANGLES	±:

MATERIAL
TBD
material_2

FINISH
-
finish_spec_2

DWN	-
CHK	-
APVD	-
PRODUCT SPEC	-
APPLICATION SPEC	-
WEIGHT	-
CUSTOMER DRAWING	



NAME
CLIP HSG FOR 025 CONN'R 12PIN

SIZE CAGE CODE DRAWING NO RESTRICTED TO

A3 00779 C=1743161

SCALE 5:1 SHEET 2 OF 2 REV A

X-ON Electronics

Largest Supplier of Electrical and Electronic Components

Click to view similar products for [Automotive Connectors](#) category:

Click to view products by [TE Connectivity](#) manufacturer:

Other Similar products are found below :

[003-018-000](#) [60993906-B](#) [72.330.1035.1](#) [F358300-B](#) [F407400](#) [776880-1](#) [827153-1](#) [8N1515-32-24P](#) [9-1326729-8](#) [925474-1](#) [928905-1](#)
[964562-4](#) [968782-1](#) [98891-1012](#) [12004475-L](#) [12041318-B](#) [12052466](#) [12015909](#) [1-21030-1](#) [12041318](#) [12047957](#) [12185550](#) [12336-12](#)
[12147304](#) [1-326211-1](#) [13681974](#) [13783086](#) [13832576](#) [13542772](#) [13675513](#) [1428188-1](#) [1437287-3](#) [1428188-2](#) [DS07-19S-5020](#) [1456983-5](#)
[1456987-7](#) [APD-7CP-H](#) [APK-SB25A10L](#) [1452931-2](#) [15336198](#) [15491972](#) [15305306](#) [15396680](#) [15425613](#) [15518544](#) [15522351](#) [1719636-1](#)
[172190-2](#) [172190-5](#) [192900-0402](#)