

4

3

2

1

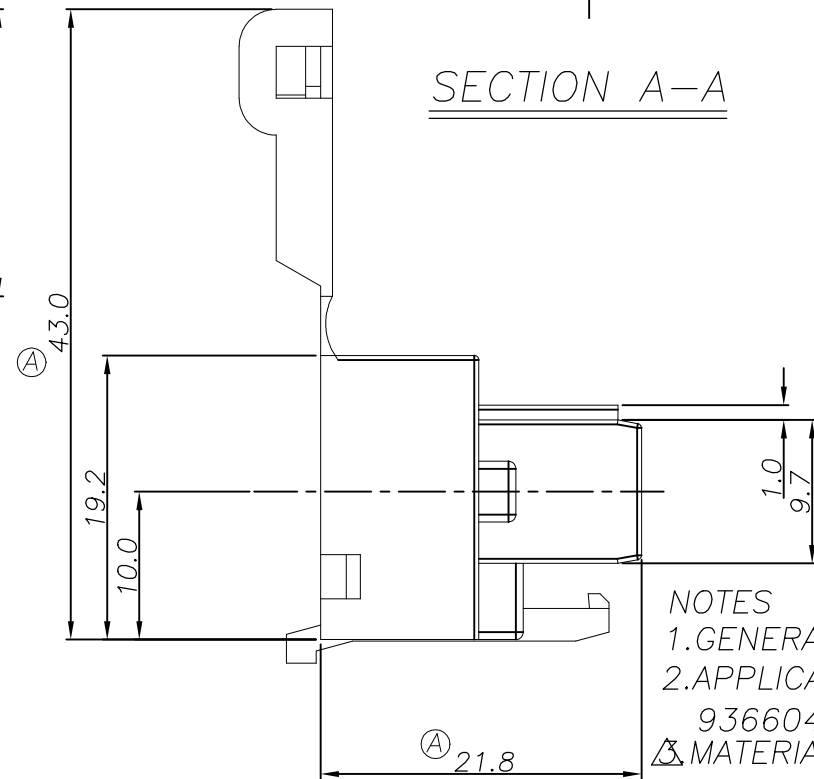
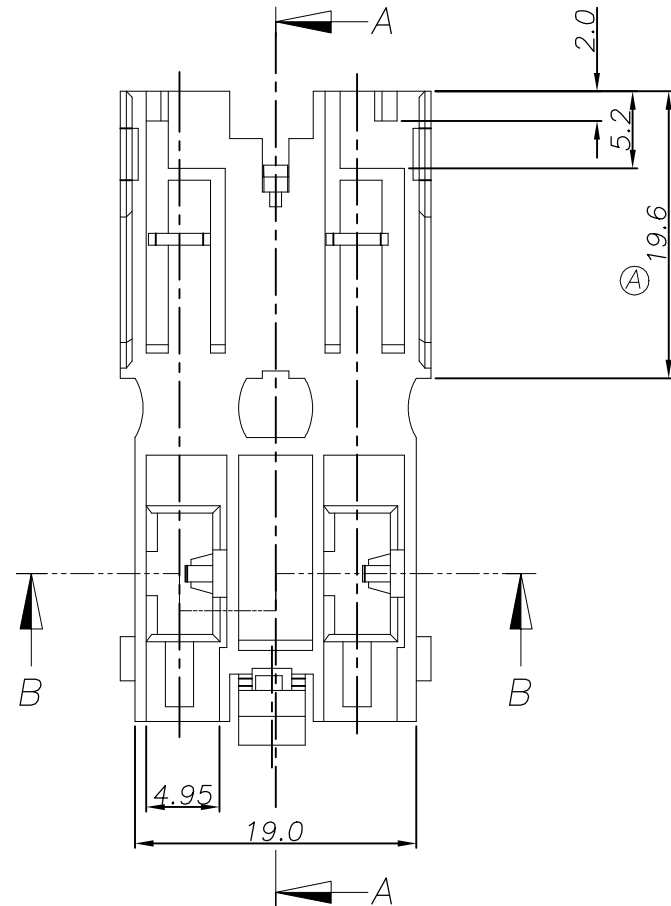
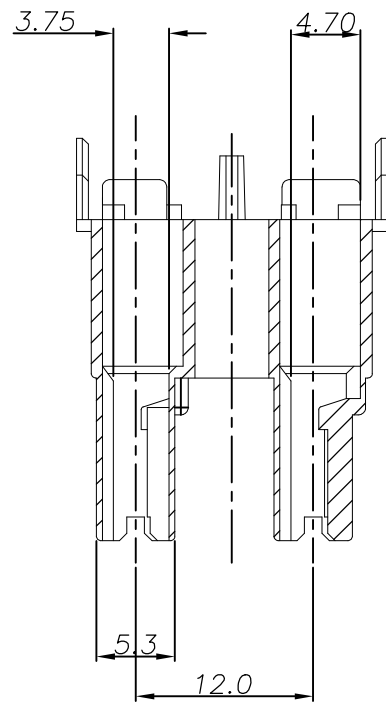
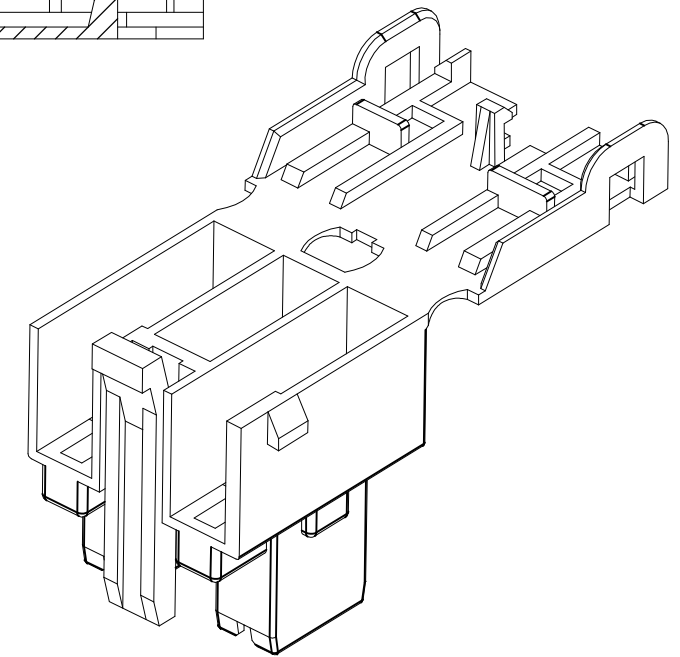
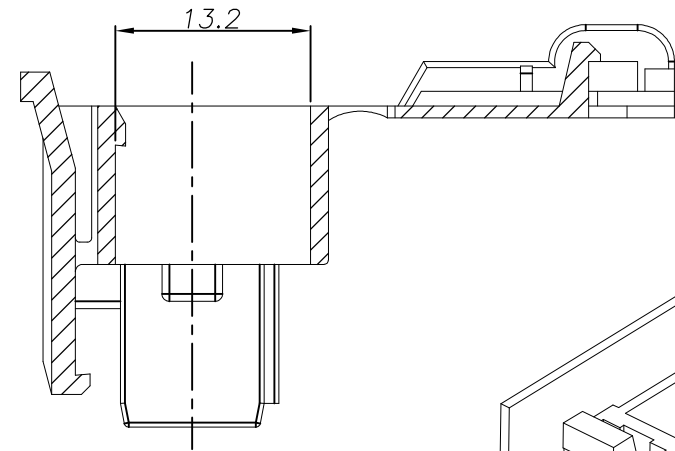
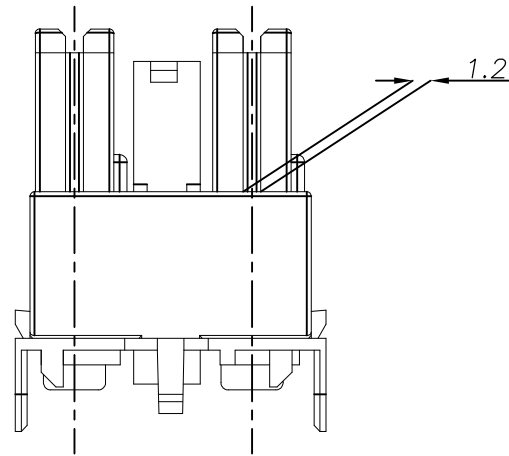
THIS DRAWING IS UNPUBLISHED.

RELEASED FOR PUBLICATION

© COPYRIGHT

BY TYCO ELECTRONICS CORPORATION. ALL RIGHTS RESERVED.

LOC	DIST	REVISIONS					
		P	LTR	DESCRIPTION	DATE	DWN	APVD
DS	-		A1	REVISED (ECR-18-017108)	22OCT.'18	BH	E.W
			A2	REVISED (ECR-19-006537)	24APR.'19	BH	E.W



NOTES
 1. GENERAL TOLERANCES : ±0.25, ±1
 2. APPLICABLE CONTACT P/N : 936603-1, 936604-1, 936605-1.
 3. MATERIAL : PA66, UL 94V-0, GWT 775°C, GWT 750°C

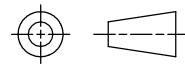
1-1743206-2	Ⓜ	BLACK
1-1743206-1	Ⓜ	NATURAL
Ⓜ 1743206-2	PA66, UL 94V-0	BLACK
Ⓜ 1743206-1	PA66, UL 94V-0	NATURAL
P/N	MATERIAL	COLOR

THIS DRAWING IS A CONTROLLED DOCUMENT FOR TYCO ELECTRONICS CORPORATION
 IT IS SUBJECT TO CHANGE AND THE CONTROLLING ENGINEERING ORGANIZATION
 SHOULD BE CONTACTED FOR THE LATEST REVISION.

DWN BH CHO		TE Connectivity	
CHK BW KANG			
APVD JK SONG		NAME	
PRODUCT SPEC 108-61105		250 FLAG POSITIVE LOCK 2P HSG(Pitch=12mm)	
APPLICATION SPEC 114-61019		SIZE	CAGE CODE
WEIGHT		DRAWING NO	
MATERIAL		RESTRICTED TO	
FINISH		-	
CUSTOMER DRAWING		-	
SCALE 2/1		SHEET 1 OF 1	
REV A2			

DIMENSIONS: MM

TOLERANCES UNLESS OTHERWISE SPECIFIED:



- 0 PLC ±
- 1 PLC ±
- 2 PLC ±
- 3 PLC ±
- 4 PLC ±
- ANGLES ±

MATERIAL: -

FINISH: -



TE Connectivity

250 FLAG POSITIVE LOCK 2P HSG(Pitch=12mm)

A3 00779 C- 1743206

SCALE 2/1 SHEET 1 OF 1 REV A2

X-ON Electronics

Largest Supplier of Electrical and Electronic Components

Click to view similar products for [Terminals](#) category:

Click to view products by [TE Connectivity](#) manufacturer:

Other Similar products are found below :

[00-054007-01074-6](#) [00-054007-70206-1](#) [00-054007-70210-8](#) [00-054007-70217-7](#) [00-054007-70226-9](#) [00-054007-70228-3](#) [00-054007-70248-1](#) [00-054007-70256-6](#) [00-054007-70301-3](#) [00-054007-70316-7](#) [0-0320562-0](#) [00-054007-49560-4](#) [00-054007-70209-2](#) [00-054007-70225-2](#) [00-054007-70227-6](#) [00-054007-70231-3](#) [00-054007-70241-2](#) [00-054007-70242-9](#) [00-054007-70244-3](#) [00-054007-70246-7](#) [00-054007-70263-4](#) [00-054007-70288-7](#) [00-054007-70290-0](#) [00-054007-70300-6](#) [00-054007-70304-4](#) [01-2065-1-0216](#) [01-2900-1-04412](#) [00581P0075](#) [600TS-10](#) [60205-1](#) [604200-1](#) [605601-1](#) [60598-1-CUT-TAPE](#) [61314-6-C](#) [61810-3](#) [61-S](#) [61-SN](#) [626-0194](#) [62-NBM-A](#) [62-SN](#) [62-SP](#) [63-S](#) [640179-1](#) [M55155/059I03](#) [M55155/079C01](#) [M55155/099H02](#) [M55155/109H01](#) [M55155/109H02](#) [M55155/12XH05](#) [M55155/16XH02](#)