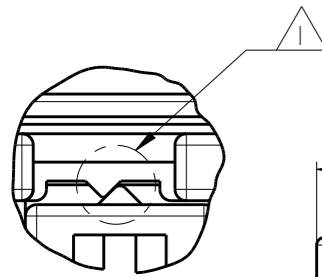
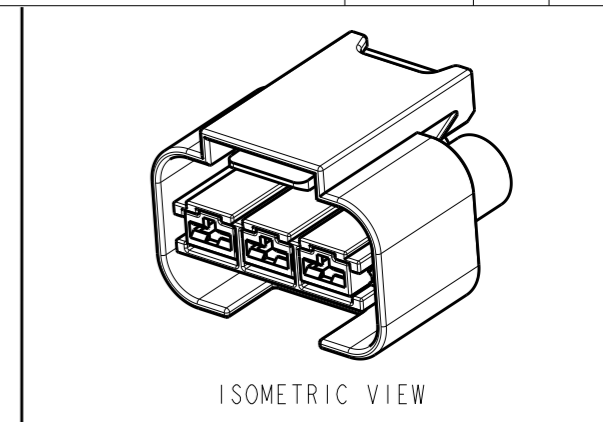
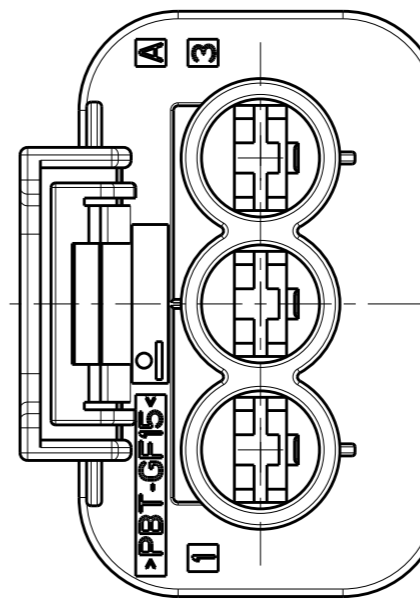
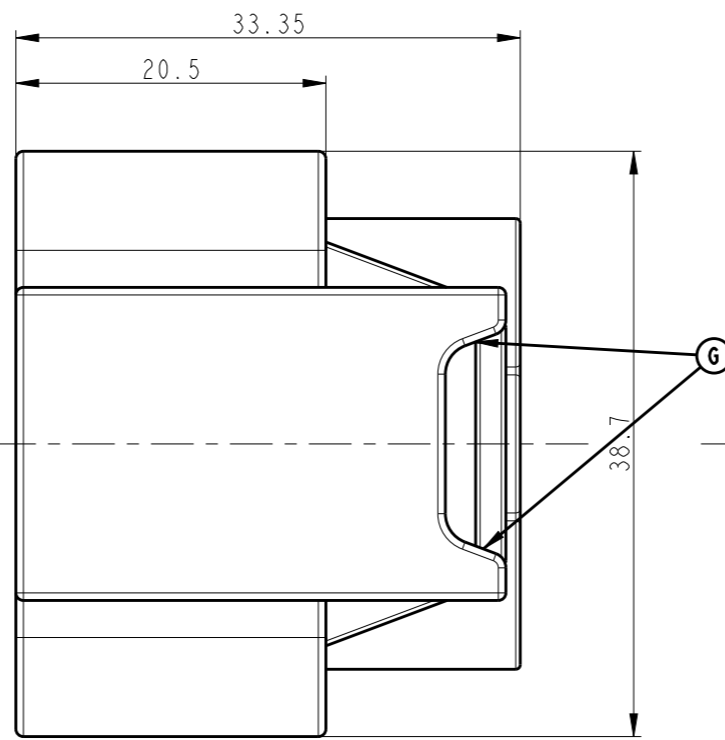
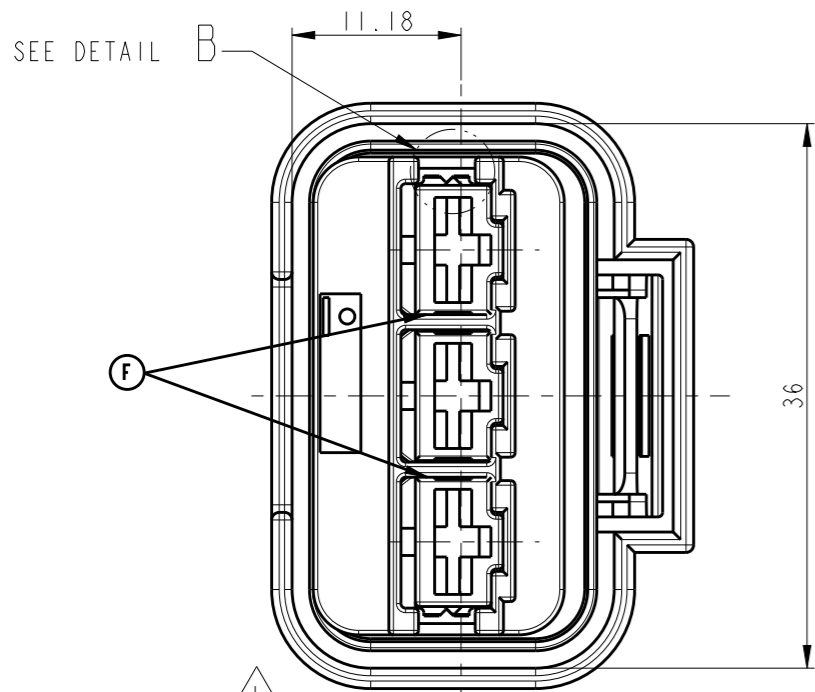


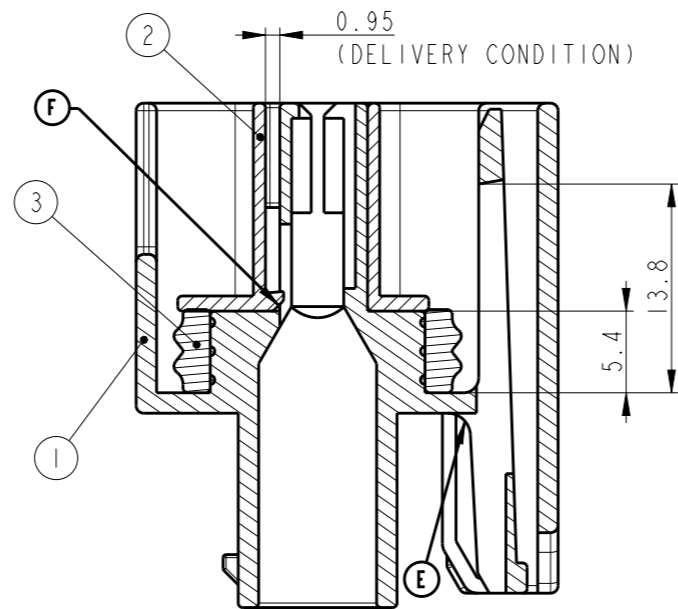
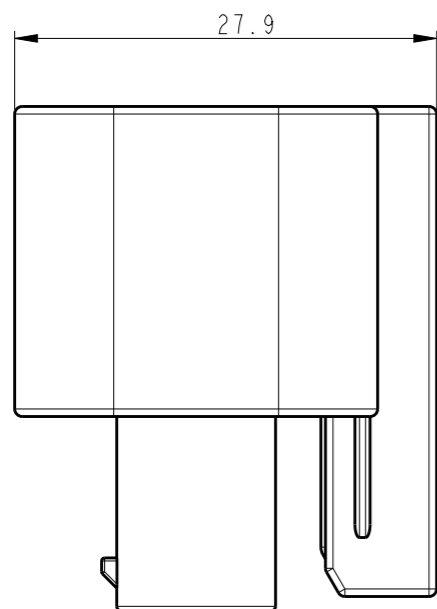
THIS DRAWING IS UNPUBLISHED. RELEASED FOR PUBLICATION 20  
 © COPYRIGHT 20 BY - TE Connectivity ALL RIGHTS RESERVED.

REVISIONS

P	LTR	DESCRIPTION	DATE	DWN	APVD
E		REVISED (ECR-17-012288)	23AUG2017	SJ	YJ
F		REVISED (ECR-18-010532)	25JUN2018	TY	YJ
G		REVISED (ECR-18-013276)	26NOV2018	CH	YJ



DETAIL B  
SCALE 5:1



SECTION A-A

- NOTE  
 1. CONDITION OF DELIVERY : DBL HSG IN OPEN POSITION  
 2. APPLIED WIRE COVER HSG P/N : X-1743274-X (CORRUGATE DIA : Ø9)  
 3. APPLICABLE RECEPTACLE CONTACT P/N :

CONTACT P/N	SPT TERMINAL		
	927836	927835	928966
WIRE SIZE(mm <sup>2</sup> )	0.5~1.0	1.0~2.5	2.5~4.0

4. GENERAL TOLERANCE : ±0.3, ±3°  
 5. APPLICABLE WIRE SEAL P/N:

PART NO.	WIRE INSULATION DIAMETER(mm)	COLOR
963243-1	1.4~2.1	BLUE
963244-1	2.2~3.0	WHITE
963245-1	3.4~3.7	YELLOW
100132-1	CAVITY PLUG	BLACK

ASS'T P/N	Q'TY
1743271-3	1
1743271-2	1

NO	COLOR	MATERIAL	DESCRIPTION	Q'TY
3	RED ORANGE	SILICONE	INNER SEAL FOR SPT SEALED 3P PLUG	1
2	NATURAL	PBT-GF10	DBL HSG FOR SPT SEALED 3P PLUG	1
1	GRAY	PBT-GF15	SPT SLEALED 3P PLUG HSG	1
	BLACK			-

THIS DRAWING IS A CONTROLLED DOCUMENT.

DIMENSIONS: mm	TOLERANCES UNLESS OTHERWISE SPECIFIED: 0 PLC ± 1 PLC ± 2 PLC ± 3 PLC ± 4 PLC ± ANGLES ±
MATERIAL SEE TABLE	FINISH

DWN CH PARK  
 CHK YM CHOI  
 APVD JK SONG  
 PRODUCT SPEC  
 APPLICATION SPEC  
 WEIGHT  
 CUSTOMER DRAWING

**TE** TE Connectivity

NAME: SPT SEALED 3P PLUG ASS'Y

SIZE: A3	CAGE CODE: 00779	DRAWING NO: C-1743271	RESTRICTED TO: -
----------	------------------	-----------------------	------------------

SCALE: 2:1 SHEET: 1 OF 1 REV: G

## X-ON Electronics

Largest Supplier of Electrical and Electronic Components

*Click to view similar products for [Automotive Connectors](#) category:*

*Click to view products by [TE Connectivity](#) manufacturer:*

Other Similar products are found below :

[003-018-000](#) [60403001](#) [60993906-B](#) [M902-2131](#) [M902-2161](#) [72.330.1035.1](#) [73.353.4028.0](#) [F119300-B](#) [F166900](#) [F258300-B](#) [F358300-B](#)  
[F407400](#) [F444110](#) [F487000](#) [F509500B-B](#) [827153-1](#) [8N1515-32-24P](#) [9-1326729-8](#) [925474-1](#) [928905-1](#) [964562-4](#) [968782-1](#) [GT17SA-8DS-](#)  
[HU](#) [98891-1012](#) [98947-1016](#) [12004147](#) [12004475-L](#) [12010290](#) [12010309-B](#) [12015454](#) [12020219-B](#) [12020308](#) [12041318-B](#) [12052225-L](#)  
[12052466](#) [12059125](#) [12064869](#) [12004327-B](#) [12010503-B](#) [12015308](#) [12015384](#) [12015909](#) [1-21030-1](#) [12041254](#) [12041318](#) [12047946-B](#)  
[12047957](#) [12047957-L](#) [12059473](#) [12066261](#)