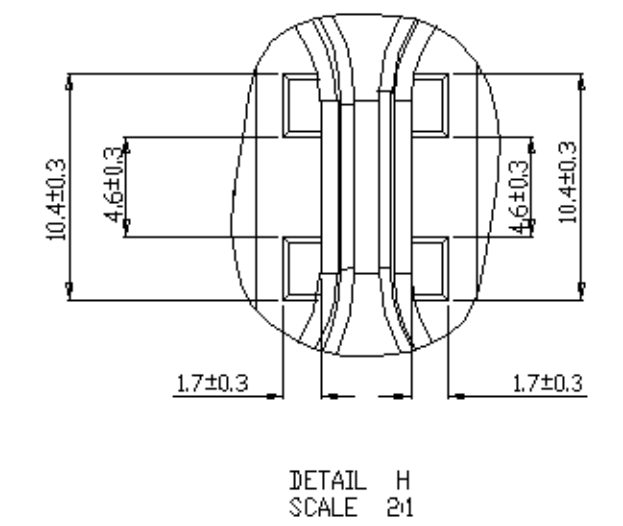
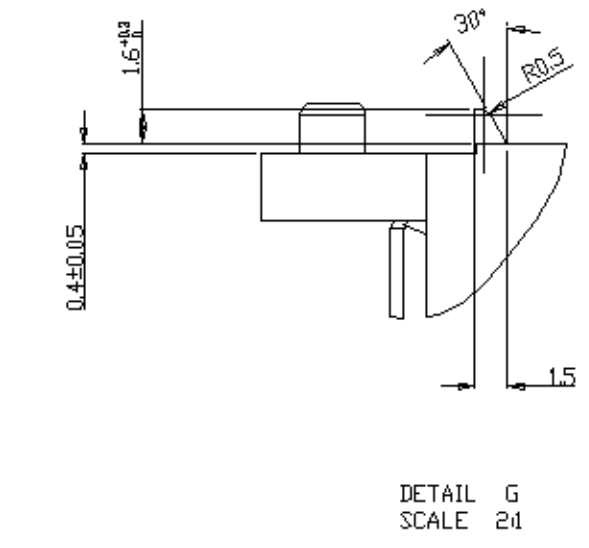
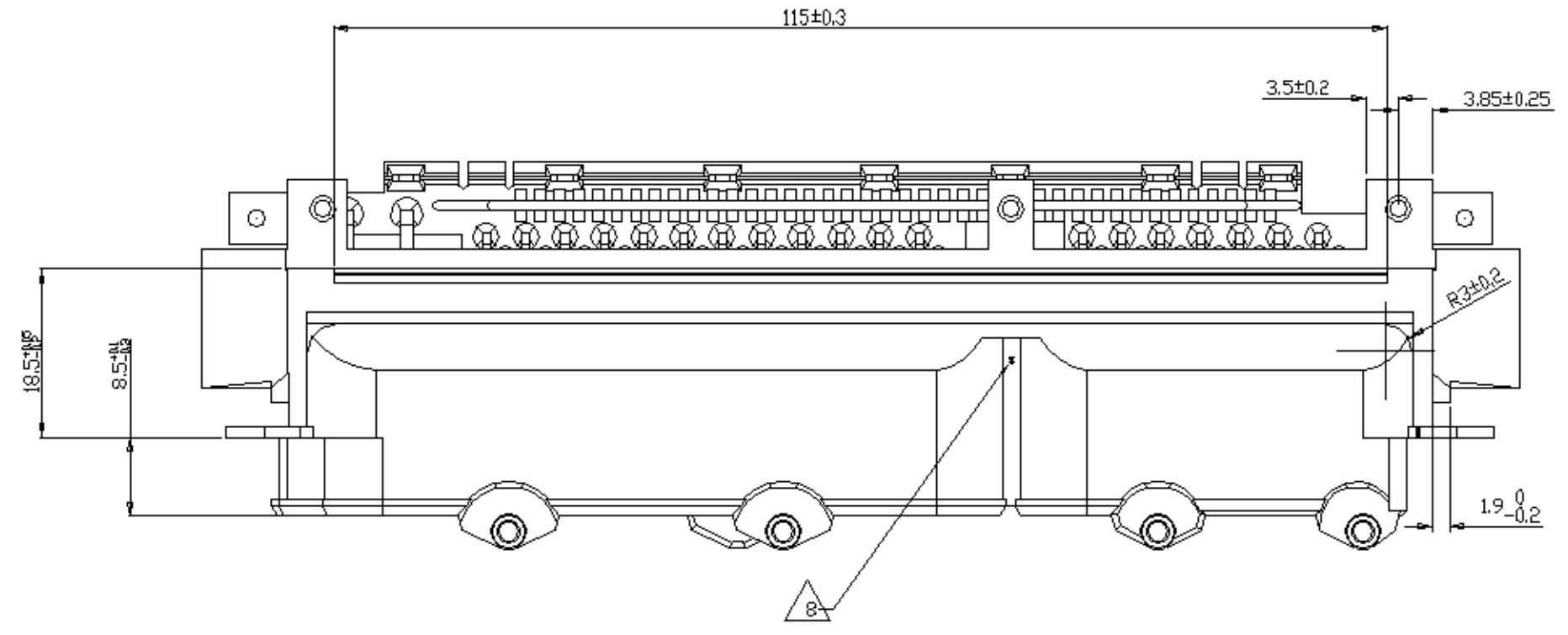
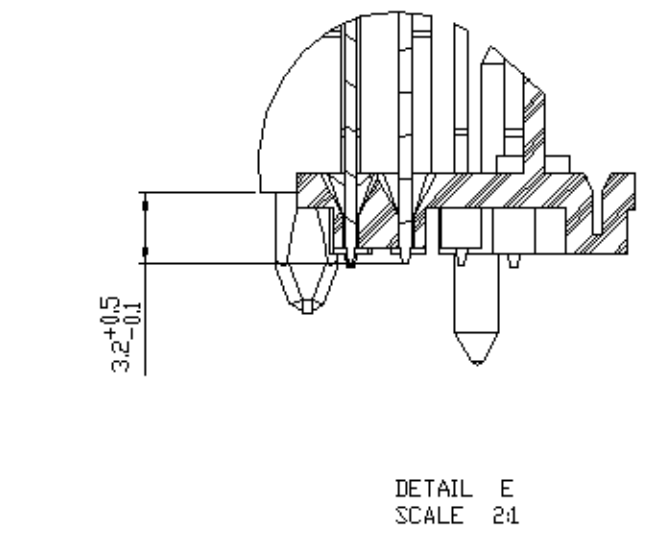
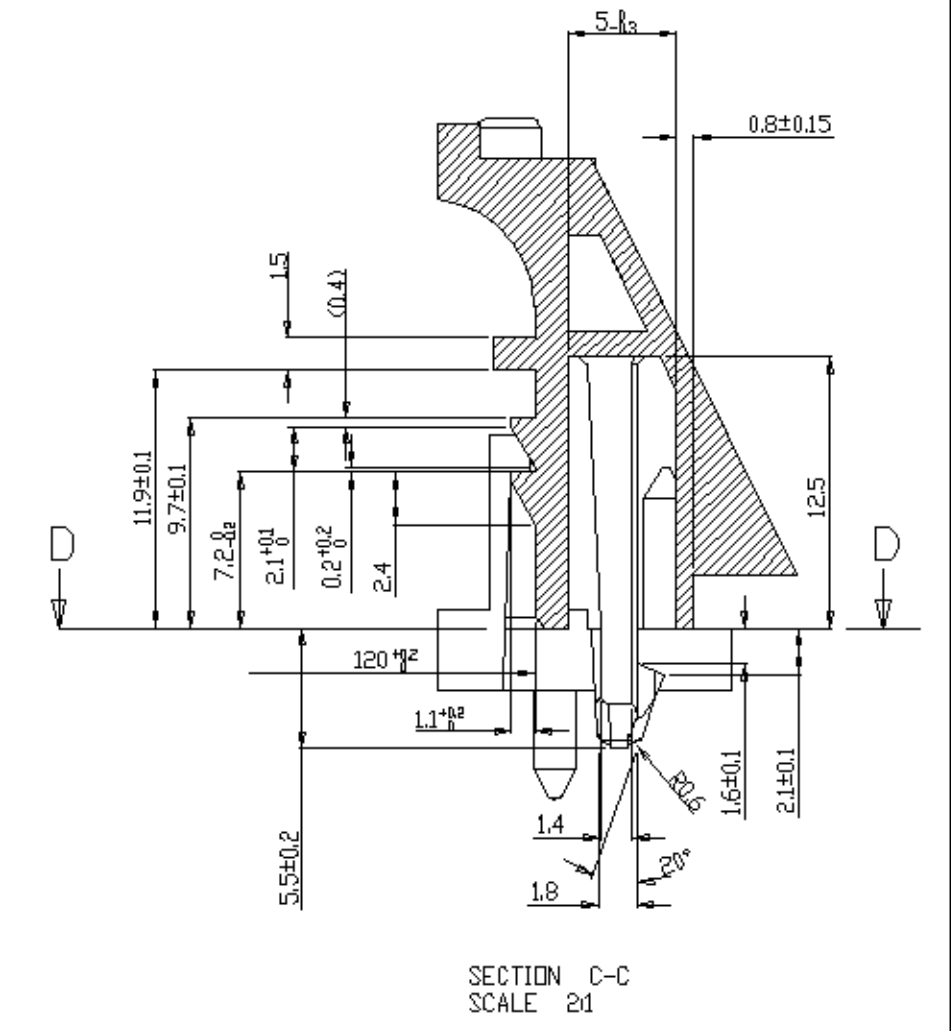
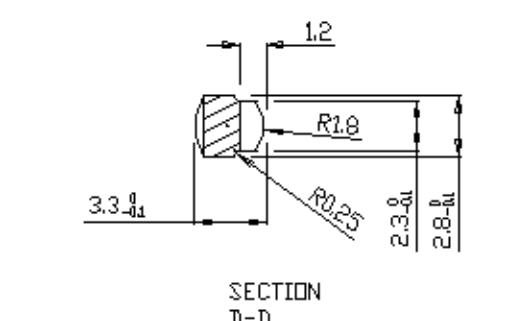
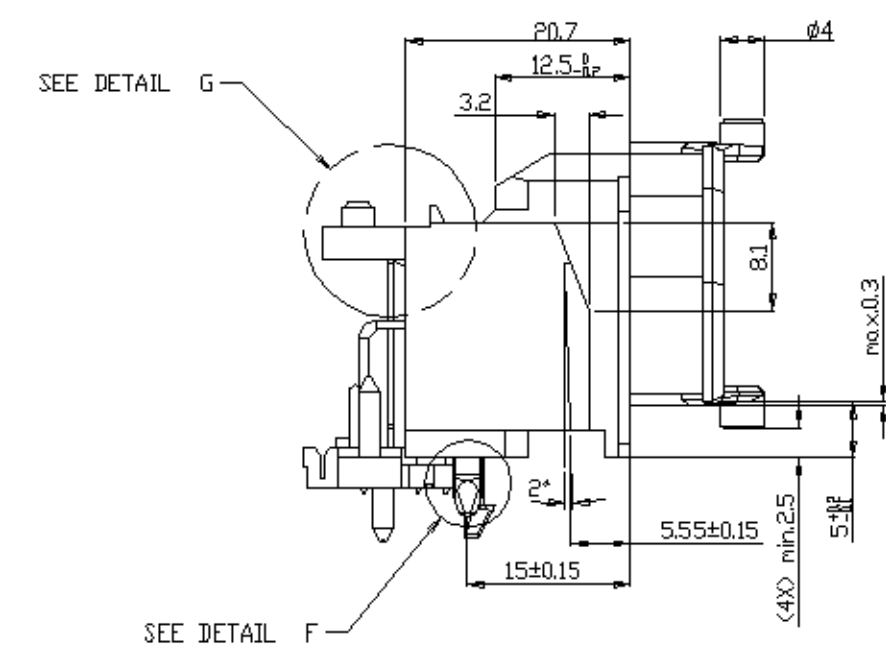
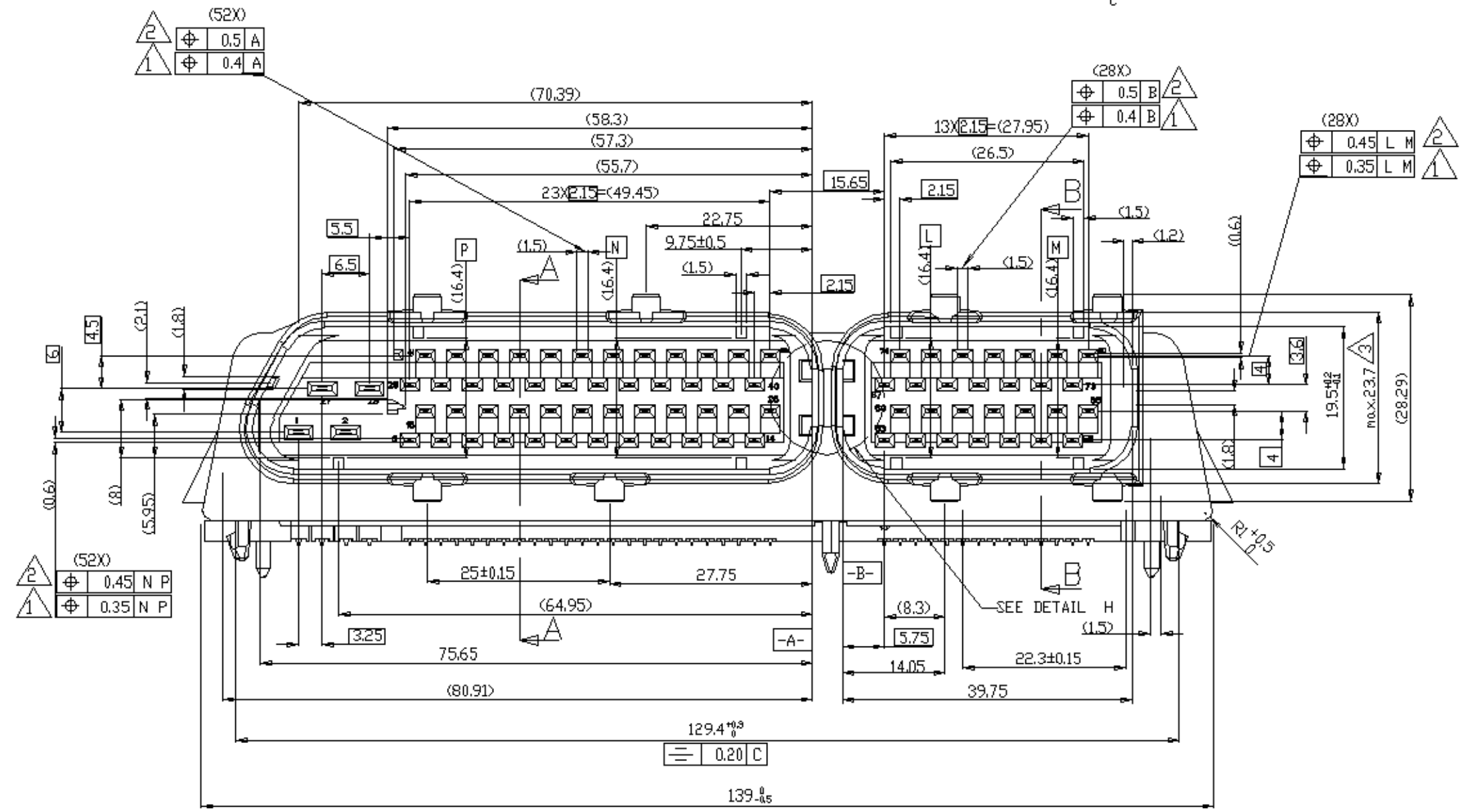
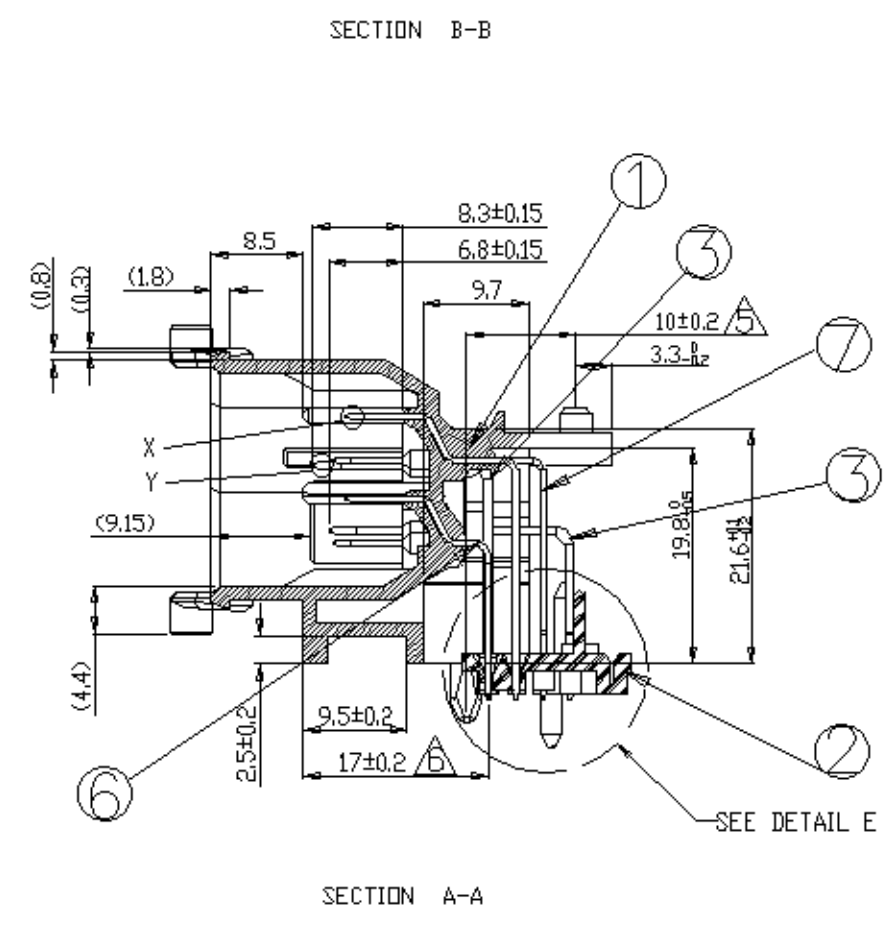
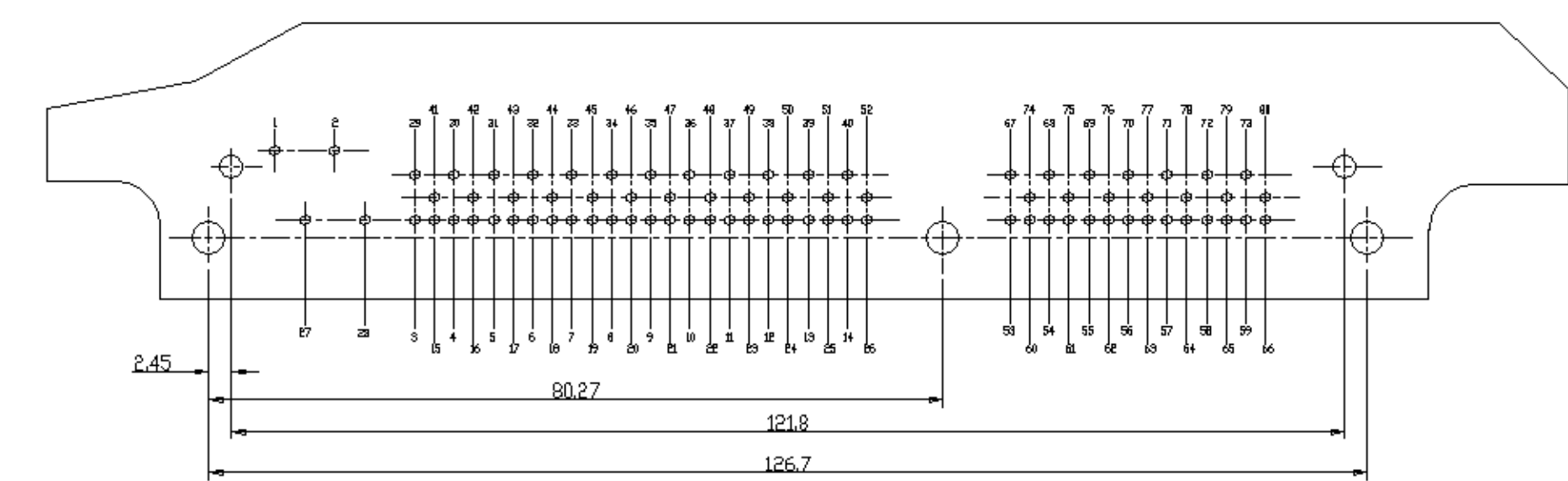
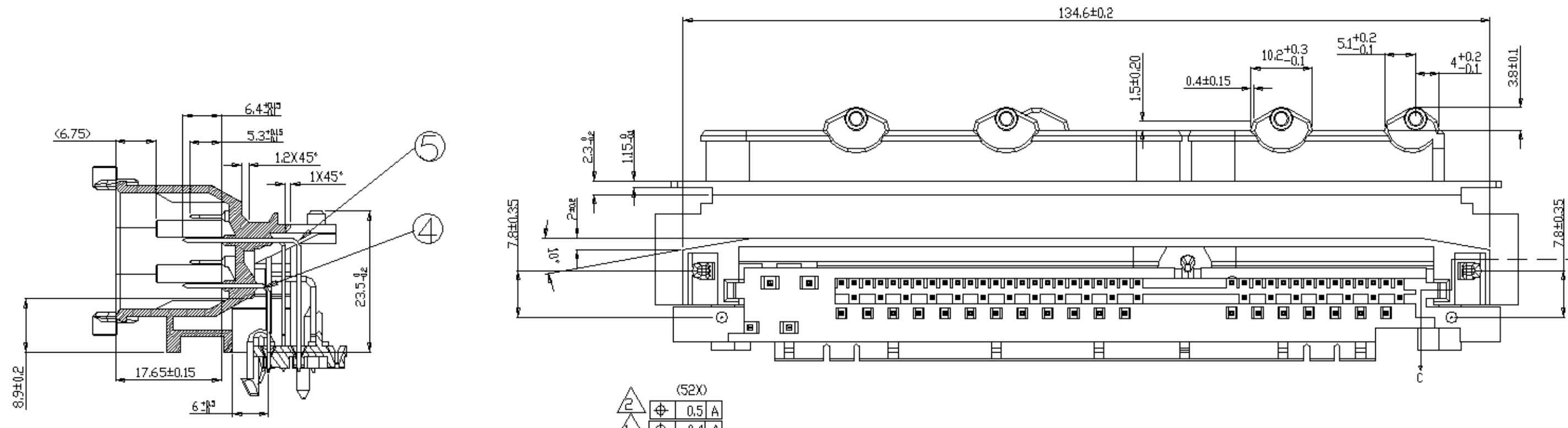


THIS DRAWING IS UNPUBLISHED. RELEASED FOR PUBLICATION
 © COPYRIGHT ALL RIGHTS RESERVED.

LOC		DIST		REVISIONS				
ES	00	P	LTR	DESCRIPTION	DATE	DWN	APVD	
				SEE SHEET 1/2				

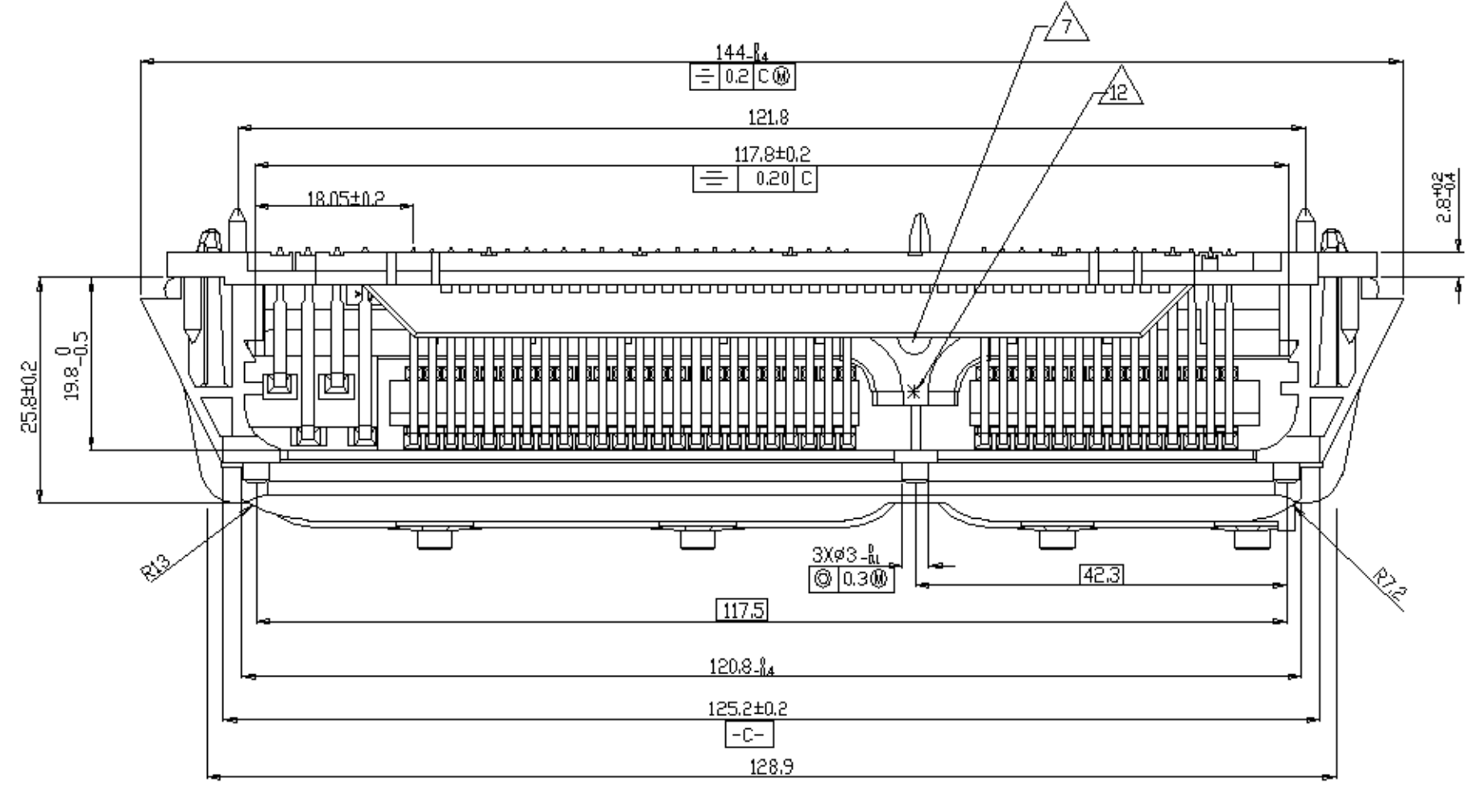
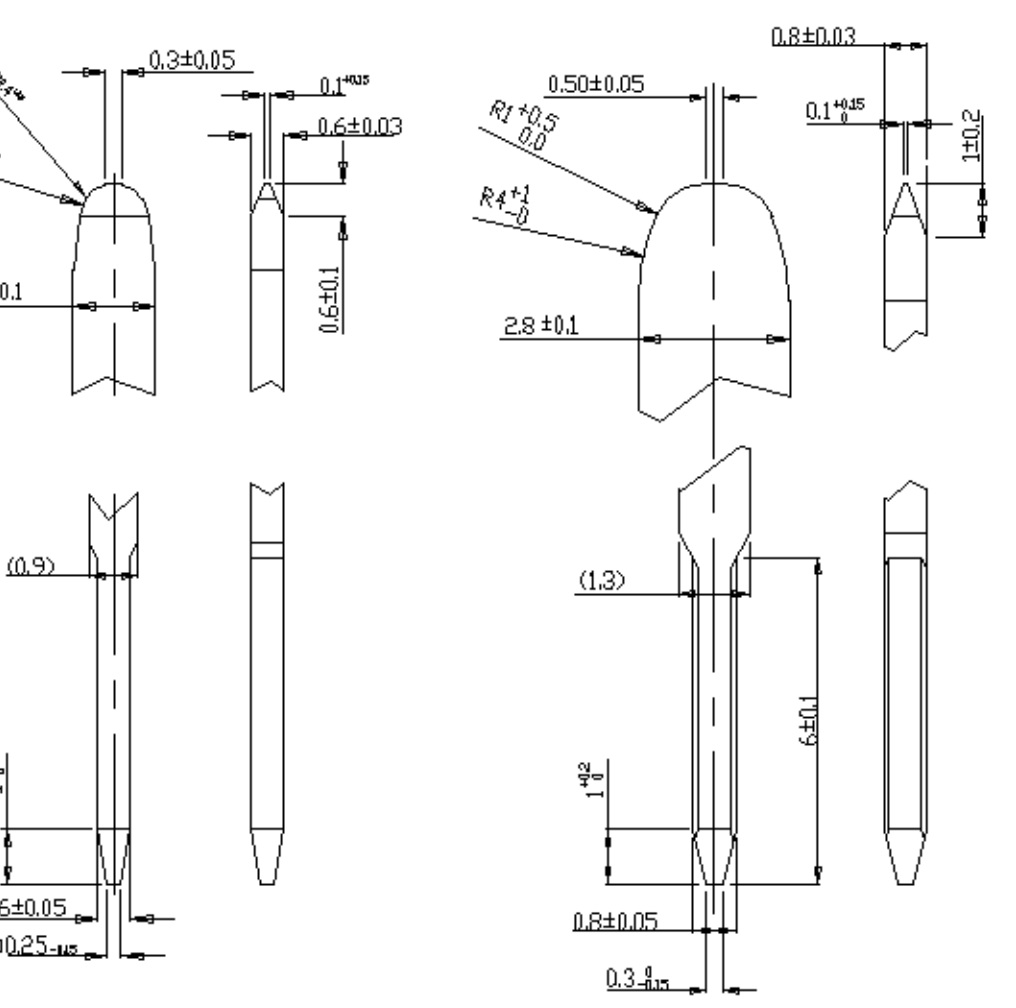


- NOTES:
- 1 IN THE BOTTOM OF TAB (MEASURING POINT IS 0.5mm ABOVE INSERTING ANGLE)
 - 2 IN THE TOP OF TAB (MEASURING POINT IS 1.5mm BELOW THE TOP)
 - 3 THE WARPAGE AND HOLLOW 0.7MAX.
 - 4 ALL RADII R0.3 EXCEPT AS INDICATED SHARP EDGES EXCEPT AS NOTED 0.3 CHAMFER
 - 5 TO BE MEASURED THE MIDDLE POINT OF SPRING-HOOK.
 - 6 TO BE MEASURED THE CENTRAL-AXLE IN FIRST ROW FOR JOINTER.
 - 7 DATE COAD.
 - 8 CAVITY MARKS: 1,2,3,4
 - 9 MATERIAL - HOUSING: PA66 GF30% BLACK
- JOINTER: PA66 GF50% BLACK
- TERMINAL: CuSn6
 - 10 FINISH PRE-TIN MATERIAL TIN PLATED 2~4um PLATED 3~5um Sn(NO LEAD) IN SOLDER AREA.
 - 11 ELECTROSTATIC DISCHARGE BETWEEN THE PINS MUST BE 1000V DC MIN. OVER 1 SEC.
 - 12 CASSETTE NO. HEIGHT 3.0, RAISED 0.2)
 13. GENERAL TOLERANCE

0 <XX<6	± 0.10
6<XX<30	± 0.20
30<XX<120	± 0.30
120<XX	± 0.50
ANGLES	± 1°

NO.	PART NO.	DESCRIPTION	MATERIAL	COLOR/FINISH	ITEM NO.
19	1-292066-6	1.5mm TAB FOR 80P HDR	CuSn6		7
19	1-292066-4	1.5mm TAB FOR 80P HDR	CuSn6		6
19	1-292066-2	1.5mm TAB FOR 80P HDR	CuSn6		5
19	1-292066-0	1.5mm TAB FOR 80P HDR	CuSn6		4
4	292065-4	2.8mm TAB FOR 80P HDR	CuSn6		3
1	292064-1	ECU 80P JOINTER	PA66+GF50%	BLACK	2
1	1743276-2	ECU 80P HDR HSG	PA66+GF30%	BLACK	1

PART NO. 1743275-3		DWN 27 JUN 2007		TE Connectivity	
DIMENSIONS: MM		CHK 27 JUN 2007			
MATERIAL 9		APVD 27 JUN 2007		NAME ECU 80P HDR ASS'Y	
TOLERANCES UNLESS OTHERWISE SPECIFIED		PRODUCT SPEC		SIZE A1	
0 PLC ±		APPLICATION SPEC		CAGE CODE 00779	
1 PLC ±		WEIGHT		DRAWING NO. C=1743275	
2 PLC ±		CUSTOMER DRAWING		RESTRICTED TO	
3 PLC ±		SCALE 2:1		SHEET 2 OF 2	
4 PLC ±		SHEET 2 OF 2		REV F1	
ANGLES ±					
FINISH 10					



X-ON Electronics

Largest Supplier of Electrical and Electronic Components

Click to view similar products for [Automotive Connectors](#) category:

Click to view products by [TE Connectivity](#) manufacturer:

Other Similar products are found below :

[003-018-000](#) [60993906-B](#) [72.330.1035.1](#) [776880-1](#) [827153-1](#) [9-1326729-8](#) [9-221607-5](#) [925474-1](#) [928905-1](#) [964562-4](#) [968782-1](#) [12004468](#)
[12004475-L](#) [12004483](#) [12052466](#) [12066163](#) [12015909](#) [12077753](#) [1-21030-1](#) [12047957](#) [12047958](#) [12084688](#) [12185550](#) [12336-12](#) [1-](#)
[326211-1](#) [13681974](#) [13688972](#) [13755420](#) [13779834](#) [13783086](#) [13843152](#) [13522378](#) [13581967](#) [13669624](#) [13675513](#) [13753471](#) [13946876](#)
[13953457](#) [13955963](#) [13964573](#) [13971791](#) [13790534-L](#) [13797473](#) [13805590](#) [13888202](#) [1428188-1](#) [1437287-3](#) [1428188-2](#) [DS07-19S-5020](#)
[1456983-5](#)